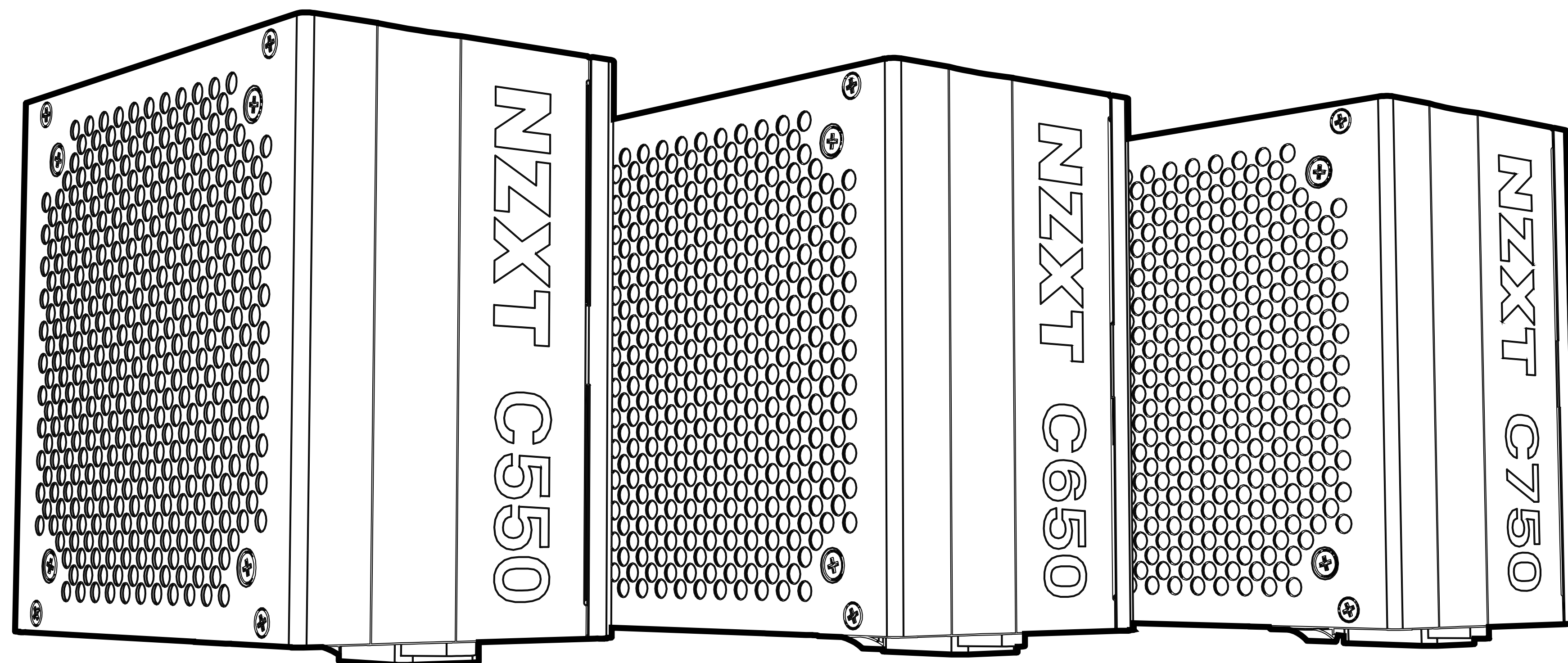


NZXT



C SERIES BRONZE

半模組化 ATX 電源

1. 零件表 02

2. 規格 04

3. 安裝 05

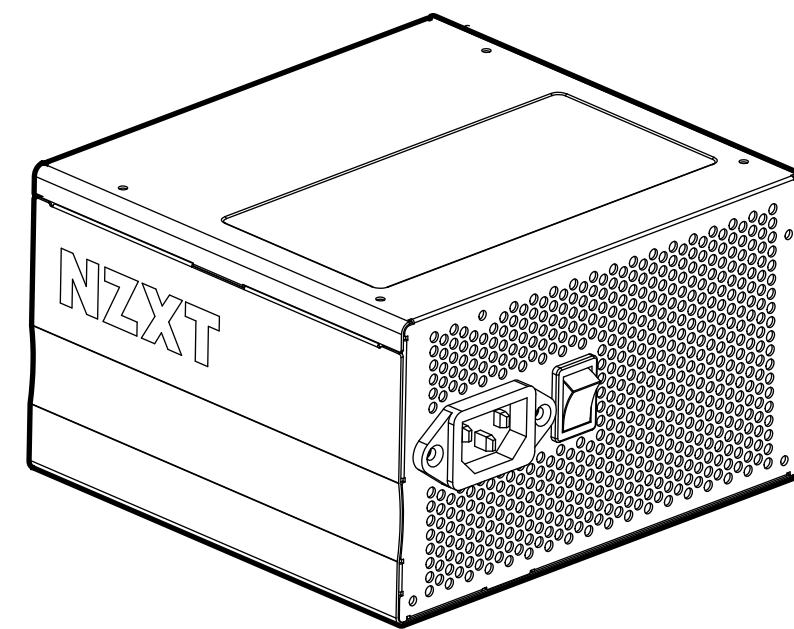
4. 附錄 A-1

1. 零件表



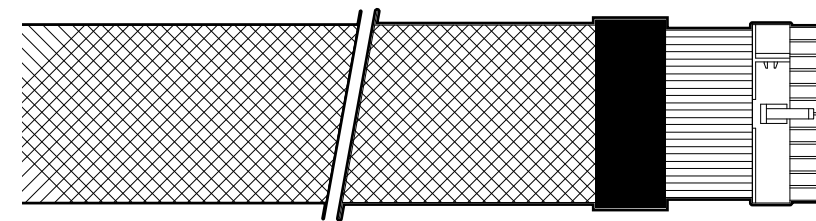
A. C650 /C750 / C850 電源供應器

x1



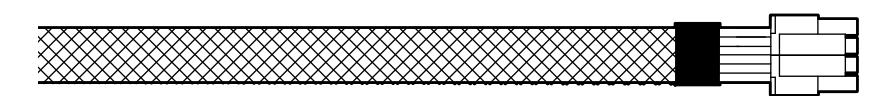
B. 20+4 針腳 ATX 電源線

x1



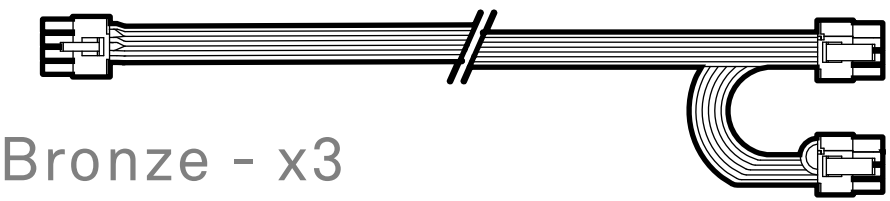
C. 4+4 針腳 CPU 電源線

x2



D. PCI-e 電源線

C550/C650 Bronze - x2 , C750 Bronze - x3





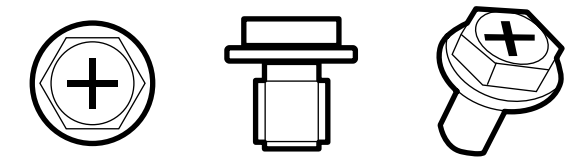
E. 周邊纜線

x1



G. 安裝螺絲

6-32 - x5



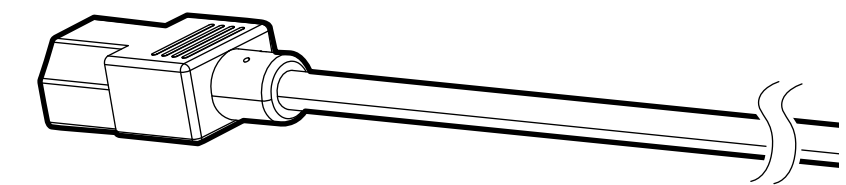
F. SATA 電源連接器

x2



H. AC 電源線

x1



2. 規格

C SERIES BRONZE

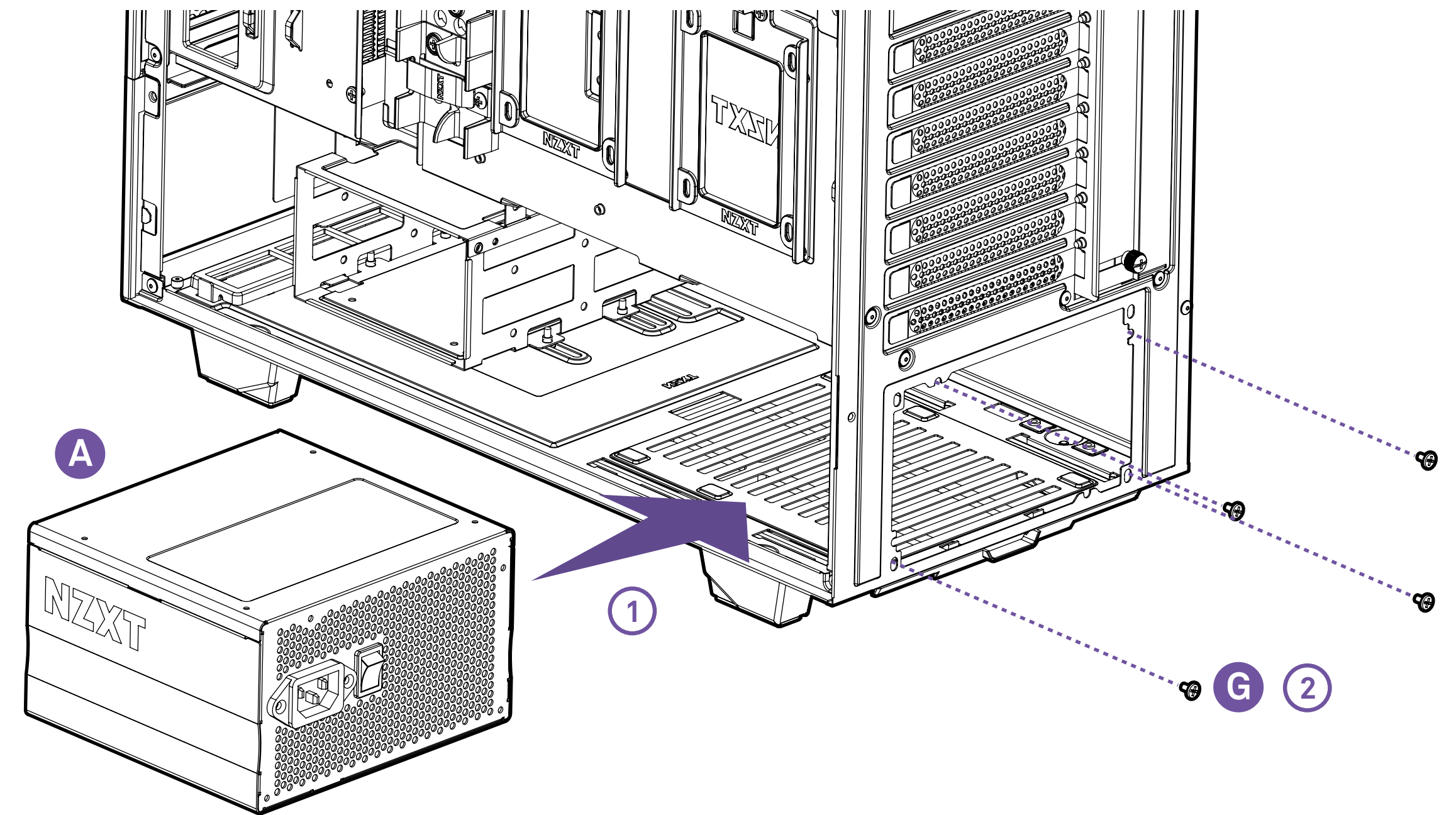


C SERIES BRONZE																																											
規範標準	ATX12V v2.52 / EPS12V v2.92																																										
PF 修正	主動式@0.96																																										
AC 額定輸入 & DC 額定輸出	<table border="1"> <thead> <tr> <th colspan="6">C550 BRONZE</th> </tr> <tr> <th>型號</th> <td colspan="5">PA-5B1B</td> </tr> </thead> <tbody> <tr> <td>AC 額定輸入</td> <td colspan="5">100V-240V 8A-4A 50Hz-60Hz</td> </tr> <tr> <td>DC 額定輸出</td> <td>+3.3V</td> <td>+5V</td> <td>+5Vsb</td> <td>+12V</td> <td>-12V</td> </tr> <tr> <td>最大負載</td> <td>20A</td> <td>20A</td> <td>2.5A</td> <td>45.5A</td> <td>0.3A</td> </tr> <tr> <td>輸出電源 (瓦)</td> <td colspan="2">110W</td> <td>12.5W</td> <td>550W</td> <td>3.6W</td> </tr> <tr> <td></td> <td colspan="5">550W</td> </tr> </tbody> </table>	C550 BRONZE						型號	PA-5B1B					AC 額定輸入	100V-240V 8A-4A 50Hz-60Hz					DC 額定輸出	+3.3V	+5V	+5Vsb	+12V	-12V	最大負載	20A	20A	2.5A	45.5A	0.3A	輸出電源 (瓦)	110W		12.5W	550W	3.6W		550W				
	C550 BRONZE																																										
	型號	PA-5B1B																																									
	AC 額定輸入	100V-240V 8A-4A 50Hz-60Hz																																									
	DC 額定輸出	+3.3V	+5V	+5Vsb	+12V	-12V																																					
	最大負載	20A	20A	2.5A	45.5A	0.3A																																					
輸出電源 (瓦)	110W		12.5W	550W	3.6W																																						
	550W																																										
	<table border="1"> <thead> <tr> <th colspan="6">C650 BRONZE</th> </tr> <tr> <th>型號</th> <td colspan="5">PA-6B1B</td> </tr> </thead> <tbody> <tr> <td>AC 額定輸入</td> <td colspan="5">100V-240V 10A-5A 50Hz-60Hz</td> </tr> <tr> <td>DC 額定輸出</td> <td>+3.3V</td> <td>+5V</td> <td>+5Vsb</td> <td>+12V</td> <td>-12V</td> </tr> <tr> <td>最大負載</td> <td>20A</td> <td>20A</td> <td>2.5A</td> <td>54A</td> <td>0.3A</td> </tr> <tr> <td>輸出電源 (瓦)</td> <td colspan="2">110W</td> <td>12.5W</td> <td>650W</td> <td>3.6W</td> </tr> <tr> <td></td> <td colspan="5">650W</td> </tr> </tbody> </table>	C650 BRONZE						型號	PA-6B1B					AC 額定輸入	100V-240V 10A-5A 50Hz-60Hz					DC 額定輸出	+3.3V	+5V	+5Vsb	+12V	-12V	最大負載	20A	20A	2.5A	54A	0.3A	輸出電源 (瓦)	110W		12.5W	650W	3.6W		650W				
C650 BRONZE																																											
型號	PA-6B1B																																										
AC 額定輸入	100V-240V 10A-5A 50Hz-60Hz																																										
DC 額定輸出	+3.3V	+5V	+5Vsb	+12V	-12V																																						
最大負載	20A	20A	2.5A	54A	0.3A																																						
輸出電源 (瓦)	110W		12.5W	650W	3.6W																																						
	650W																																										
	<table border="1"> <thead> <tr> <th colspan="6">C750 BRONZE</th> </tr> <tr> <th>型號</th> <td colspan="5">PA-7B1B</td> </tr> </thead> <tbody> <tr> <td>AC 額定輸入</td> <td colspan="5">100V-240V 10A-5A 50Hz-60Hz</td> </tr> <tr> <td>DC 額定輸出</td> <td>+3.3V</td> <td>+5V</td> <td>+5Vsb</td> <td>+12V</td> <td>-12V</td> </tr> <tr> <td>最大負載</td> <td>20A</td> <td>20A</td> <td>2.5A</td> <td>62.5A</td> <td>0.3A</td> </tr> <tr> <td>輸出電源 (瓦)</td> <td colspan="2">120W</td> <td>12.5W</td> <td>750W</td> <td>3.6W</td> </tr> <tr> <td></td> <td colspan="5">750W</td> </tr> </tbody> </table>	C750 BRONZE						型號	PA-7B1B					AC 額定輸入	100V-240V 10A-5A 50Hz-60Hz					DC 額定輸出	+3.3V	+5V	+5Vsb	+12V	-12V	最大負載	20A	20A	2.5A	62.5A	0.3A	輸出電源 (瓦)	120W		12.5W	750W	3.6W		750W				
C750 BRONZE																																											
型號	PA-7B1B																																										
AC 額定輸入	100V-240V 10A-5A 50Hz-60Hz																																										
DC 額定輸出	+3.3V	+5V	+5Vsb	+12V	-12V																																						
最大負載	20A	20A	2.5A	62.5A	0.3A																																						
輸出電源 (瓦)	120W		12.5W	750W	3.6W																																						
	750W																																										
風扇規格	軸承	FDB (流體動力軸承)																																									
	尺寸	120 x 120 x 25 (mm)																																									
	氣流	72.90 CFM																																									
	噪音	<44 dBA																																									
	轉速	2400 ±10% RPM																																									
危險物質	RoHS 與中國 RoHS																																										
能源效率	80 PLUS Bronze 10% 負載 : 82%, 20% 負載 : 82%, 50% 負載 : 85%, 100% 負載 : 82%																																										
運作溫度	0 至 40°C																																										
法規與認證 (EMC 與安全)	CB / CE / FCC / TUV / 中國 CCC / 台灣 BSMI R33245/ 澳洲 RCM / EAC / UKCA / WEEE / Canada ICES / BIS																																										
MTBF	100,000 小時																																										



STEP 1

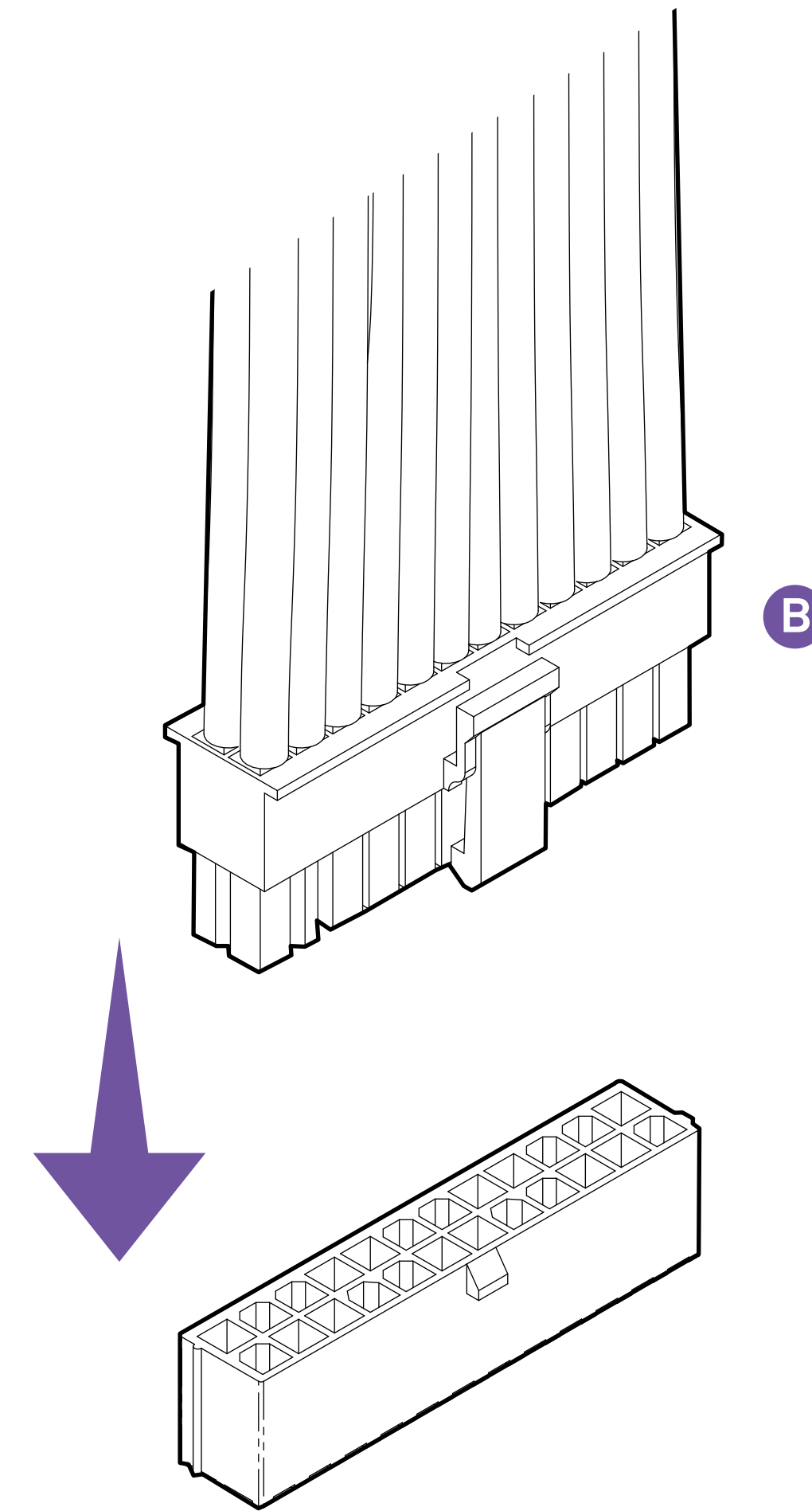
使用隨附的螺絲，在機殼中安裝電源供應器。





STEP 2

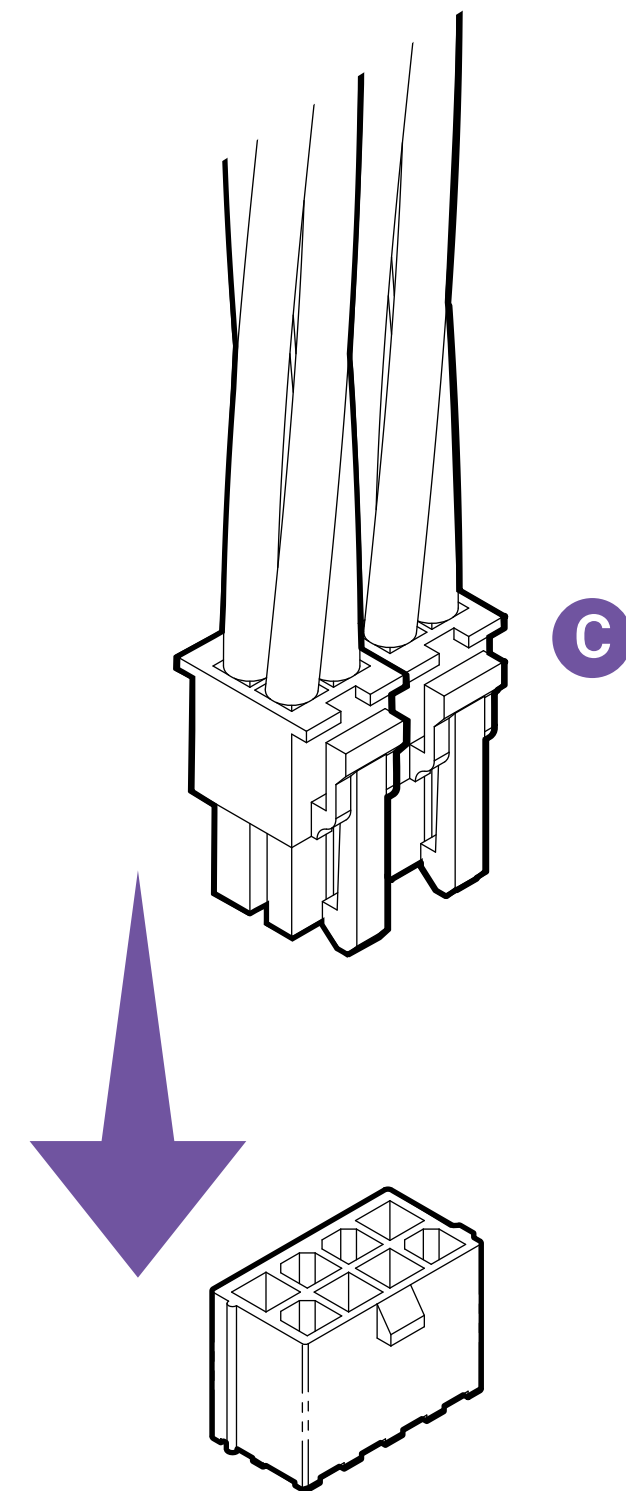
將 20+4 針腳電源線接到主機板。





STEP 3

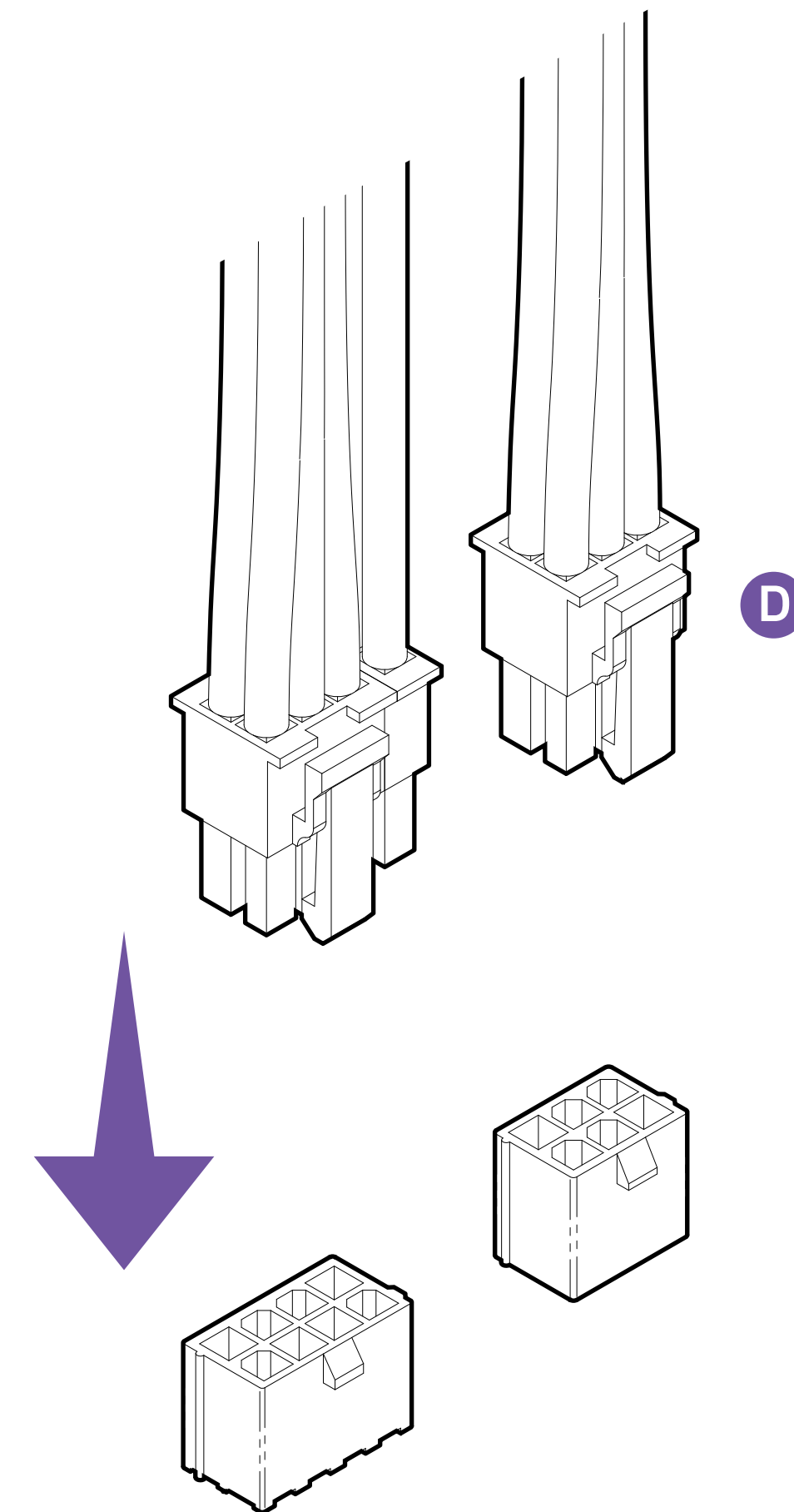
接上 4+4 針腳 CPU 電源線。





STEP 4

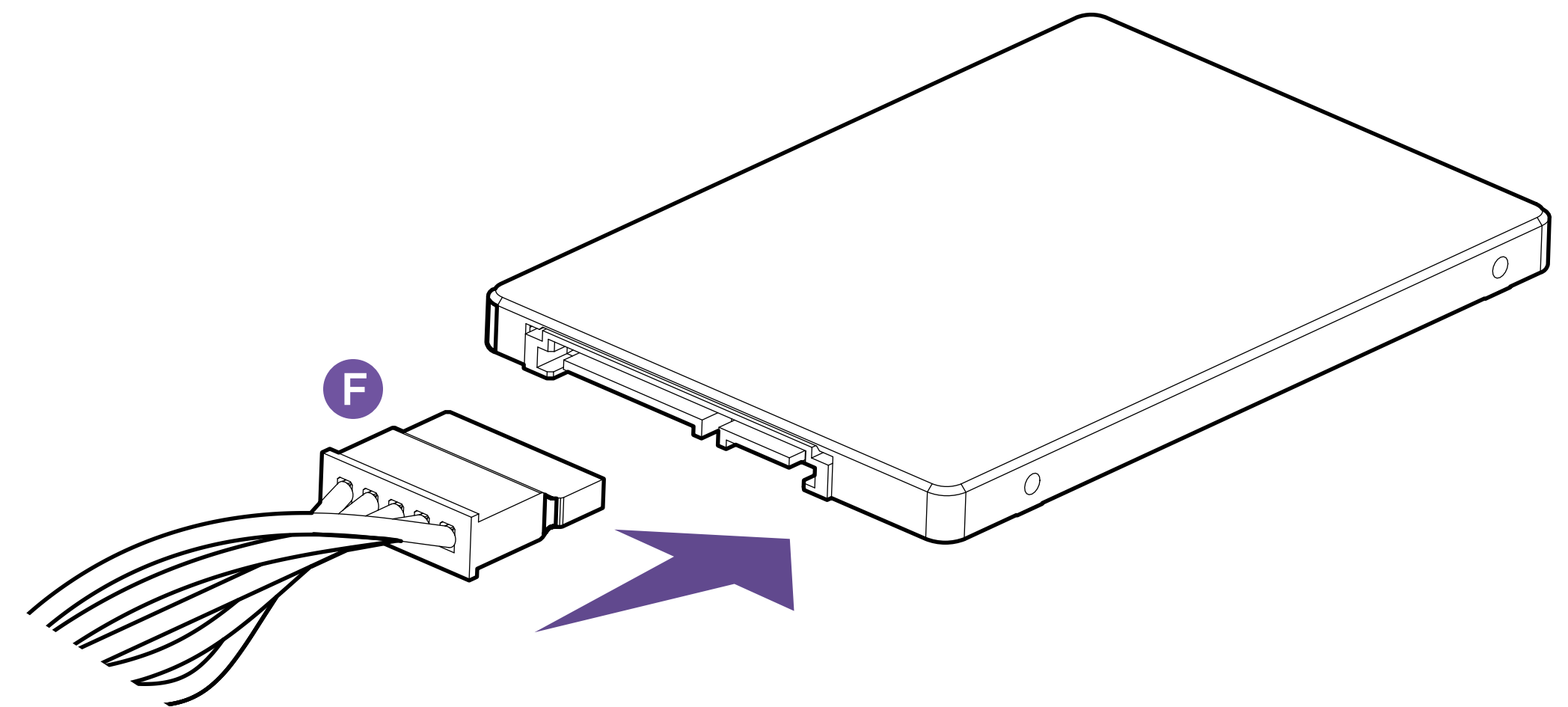
如有需要，將 PCI-e 電源線接到顯示卡。

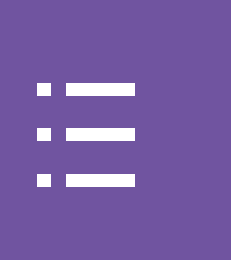




STEP 5

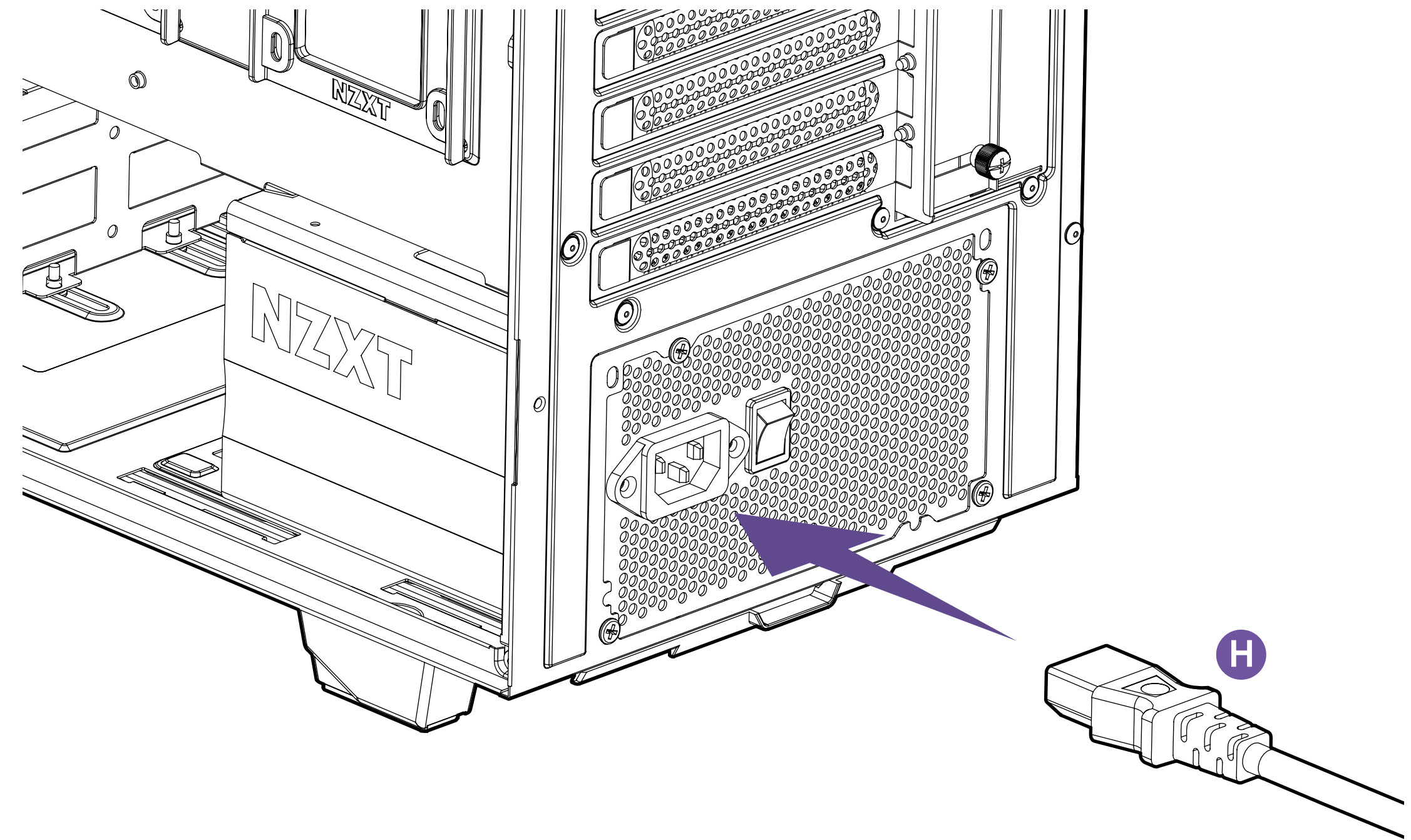
如有需要，接上 SATA 和周邊設備電源線。





STEP 6

將 AC 電源線插到牆上插座，打開電源開關。





4.1 NZXT Global Warranty Policy.....A-2

4.2 Support and Service.....A-8

4.3 Regulatory Notice.....A-11

4.4 限用物质及元素列表/限用物質及元素清單A-12

4.5 Revision HistoryA-13

4.1 NZXT GLOBAL WARRANTY POLICY



This NZXT Global Warranty Policy governs the sale of products by NZXT to you.

I. WARRANTY LENGTH

Any replacement product will be covered under warranty for the remainder of the warranty period or thirty days, whichever is longer. Proof of purchase is required for warranty service.

II. WHO IS PROTECTED

The Warranty covers only NZXT products purchased by the original consumer.

NEW NZXT PRODUCT	WARRANTY LENGTH FOR PARTS
Computer Cases	2 Years
Temperature Meters	2 Years
Fans	2 Years
Lighting	2 Years
Accessories	2 Years
Kraken M Coolers	3 Years
Headset/Headphone	2 Years
Headset/Headphone Storage	2 Years
Mixer	2 Years
Motherboards	3 Years
Gold Power Supply	10 Years
Bronze Power Supply	5 Years
Kraken X/Z Coolers	6 Years
Mini ITX Case with PSU, AIO, and Riser Card	3-year warranty on case, riser card, and AIO. 10-year warranty on PSU.
REFURBISHED NZXT PRODUCT	WARRANTY LENGTH FOR PARTS
All NZXT Certified Refurbished Products	1 Years



III. WHAT IS AND IS NOT COVERED

Please note that our warranty is not an unconditional guarantee. If the product, in NZXT's reasonable opinion, malfunctions within the warranty period, NZXT will provide you at its sole discretion with a repaired or replacement product, either new or refurbished, with a similar function that is equal or greater in value depending on supply.

Our warranty does not cover the following:

- any product or serial number/warranty sticker modification applied without permission from NZXT;
- any damage that is not a manufacturing defect;
- damage, deterioration or malfunction resulting from: accident, abuse, misuse, neglect, fire, water, lightning, or other acts of nature, unauthorized product modification or failure to follow instructions included with the product;
- improper installation, unauthorized alterations or modifications, or repair or attempted repair by anyone not authorized by NZXT;
- shipping or transport damage (claims must be made with the carrier);
- normal wear and tear.

NZXT does not warrant that this product will meet your requirements. It is your responsibility to determine the suitability of this product for your purpose. For NZXT Store orders, we cover two way return shipping for all exchanges and returns. For all other authorized dealers, NZXT Support does not cover return shipping and only covers one way shipping from NZXT back to the end user for exchanges. Two way expedited shipping is provided for all PSUs covered under the Less Than Three program, indiscriminate of purchase location, provided the location is an approved NZXT reseller.

IV. EXCLUSION OF DAMAGES (DISCLAIMER)

NZXT's sole obligation and liability under this warranty is limited to the repair or replacement of a defective product with either a new or refurbished product with a similar function that is equal or greater in value at our option. NZXT shall not, in any event, be liable for any incidental or consequential damage, including but not limited to damages resulting from interruption of service and loss of data, business, or for liability in tort relating to this product or resulting from its use or possession.



V. LIMITATIONS OF IMPLIED WARRANTIES

There are no other warranties, expressed or implied, including but not limited to those of merchantability or fitness for a particular purpose. The duration of implied warranties is limited to the warranty length specified in Paragraph I.

VI. TO OBTAIN TECHNICAL SUPPORT

If you have already referenced your product owner's manual and still need help, you may contact us by phone at +1 (800) 228-9395, by email at service@nzxt.com, or visit the NZXT Support site at nzxt.com/customer-support.

VII. HOW TO OBTAIN A WARRANTY SERVICE FROM NZXT

To receive a warranty service for your product when purchased directly from NZXT, you must submit a request via the NZXT Support site outlining the problem. If a technician deems the product defective or requiring testing, you will be required to provide a copy of your proof of purchase, which will enable you to submit a Return Merchandise Authorization "RMA" request.

Once approved, you'll receive an RMA number, upon which you will be asked to ship the defective item back to NZXT with the RMA number clearly marked or labelled on the package. NZXT recommends that appropriate measures are taken to safeguard the product from damage during shipping.



VIII. APPLICABLE LAW AND ADDITIONAL LEGAL RIGHTS FOR CONSUMERS

This warranty gives you specific legal rights. These conditions are governed and construed in accordance with the laws of California (with exception of its conflict of law provisions), and the application of the United Nations Convention of Contracts for the International Sale of Goods is expressly excluded. The non-exclusive jurisdiction of the courts of California is agreed, which means that you may bring a claim to enforce your consumer protection rights in connection with this Global Warranty in the country which you have your habitual residence where you may have additional rights. These rights may vary.

For original consumers who are covered by consumer protection laws or regulations in their country, state, or province of purchase or, if different, their country, state, or province of residence, the benefits conferred by this warranty are in addition to all rights and remedies conveyed by such consumer protection laws and regulations. To the extent that liability under such consumer laws can be limited, NZXT's liability is limited, and its sole option, to repair or replacement, either new or refurbished, with a similar function that is equal or greater in value depending on supply.

In the United Kingdom:

- For NZXT products sold to customers in the UK, during the expected lifespan of your product your legal rights entitle you to the following:
 - > Up to 30 days: if your goods are faulty, then you can get an immediate refund.
 - > Up to six months: if your goods can't be repaired or replaced, then you're entitled to a full refund, in most cases.
 - > Up to six years: if your goods do not last a reasonable length of time you may be entitled to some money back.
- If the person seeking to rely on the guarantee is not the original consumer, the NZXT Warranty will cover the product in relation to that person provided that they are able to provide proof of the transfer of the benefit of the guarantee from the original consumer.
- The implied warranties under the Consumer Rights Act 2015 says that your goods must be as described, fit for all purposes for which such goods are usually supplied, and of satisfactory quality.

In the EU:

- If you are a consumer and have your habitual residence in the EU, you additionally enjoy the protection afforded to you by provisions that cannot be derogated from by agreement by virtue of the law where you have your habitual residence.



IX. WARRANTY SERVICE FROM RESELLERS

In the event that a warranty service is sought, you must provide proof of purchase (store receipt or invoice) in order to receive the service and if deemed necessary, repair or replacement product.

In North America:

Within the first 60 days after purchase, please return your product (or for power supplies installed within our enclosures, just the failed power supply) to your dealer or reseller for a replacement. If the product is still within warranty and you can no longer return it to your dealer, please contact NZXT Customer Support (see above) for assistance and instructions. NZXT will not accept returns without prior approval and an RMA number.

In Europe:

Within the first year after purchase, please return your product (or for power supplies installed within our enclosures, just the failed power supply) to your dealer or reseller for a replacement. If the product is still within warranty and you can no longer return it to your dealer, please contact NZXT Customer Support (see above) for assistance and instructions. NZXT will not accept returns without prior approval.

In Australasia:

Within the first two years after purchase, please return your product (or for power supplies installed within our enclosures, just the failed power supply) to your dealer or reseller for a replacement. If the product is still within warranty and you can no longer return it to your dealer, please contact NZXT Customer Support (see above) for assistance and instructions. NZXT will not accept returns without prior approval.

The cost of shipping will be borne at the first instance by you; however, if the purchased item is defective, NZXT will reimburse reasonable postage or transportation of costs.

Outside North America, Europe, and Australasia:

If your product needs to be returned within the warranty period, please contact the retailer or distributor from whom you purchased the product.



X. NZXT.COM STORE RETURNS/EXCHANGE POLICY

Eligible products under this NZXT Warranty qualify for a full refund or exchange only with an authorized RMA number and if the item is returned to the NZXT.com store inventory within 30 days of purchase. Returns are not allowed beyond 30 days of the purchase date. The NZXT.com Store reserves the right to deny any return or exchange. Refunds will be credited to the original method of payment. To initiate a return, simply submit a request via NZXT support site.

- > Visit nzxt.com/warranty and support.nzxt.com for information on warranty coverage and service.
- > Visite el sitio Web nzxt.com/warranty y support.nzxt.com para obtener información sobre la cobertura y el servicio de la garantía.
- > Visitez nzxt.com/warranty et support.nzxt.com pour les informations de la couverture de la garantie et du service.
- > Informationen zu Geltungsbereich und Service der Garantie finden Sie unter support.nzxt.com und nzxt.com/warranty.
- > Visitare il sito nzxt.com/warranty e support.nzxt.com per informazioni sulla copertura e sul servizio della garanzia.
- > Visite nzxt.com/warranty e support.nzxt.com para obter informações sobre a cobertura da garantia e assistência.
- > Подробную информацию об условиях гарантийного обслуживания см. на веб-сайте nzxt.com/warranty и support.nzxt.com.
- > 제품 보증 범위와 서비스 정보를 확인하시려면 nzxt.com/warranty 또는 support.nzxt.com 을 방문해 주시기 바랍니다.
- > 保証範囲およびサービスに関する情報については、support.nzxt.com と nzxt.com/warranty にアクセスしてください。
- > 请造访 nzxt.com/warranty 和 support.nzxt.com 了解保修范围和服务的信息。
- > 請訪問 nzxt.com/warranty 和 support.nzxt.com 了解產品保固範圍和更多服務訊息。

NZXT, Inc./ 15736 E Valley Blvd, City of Industry, CA 91744, USA
NZXT Europe GmbH/ Industriering Ost 66 | 47906 Kempen | Germany
+1 (800) 228-9395 / service@nzxt.com / [NZXT.com](https://nzxt.com)



SUPPORT AND SERVICE

If you have any questions or problems with the NZXT product you purchased, please don't hesitate to contact us using our support system. support.nzxt.com

Please include a detailed explanation of your problem and your proof of purchase. For comments and suggestions, you can e-mail our design team, designer@nzxt.com. Lastly we would like to thank you for your support by purchasing this product.

For more information about NZXT, please visit us online. NZXT Website: NZXT.com

SOPORTE Y SERVICIO

Si tiene preguntas o problemas con el producto NZXT que usted compró, no dude en ponerse en contacto con service@nzxt.com y suministrar una explicación detallada de su problema así como su prueba de compra.

Puede hacer consultas sobre piezas de repuesto en support.nzxt.com.

Para comentarios y sugerencias, escriba un mensaje de correo electrónico a nuestro equipo de diseño: designer@nzxt.com. Gracias por comprar un producto NZXT. Para más información acerca de NZXT, visítenos en línea. Página web de NZXT: NZXT.com

SUPPORT ET SERVICE

Si vous avez des questions ou des problèmes avec le produit NZXT que vous avez acheté, n'hésitez pas à contacter service@nzxt.com avec une description détaillée de votre problème et votre preuve d'achat. Vous pouvez aussi commander des pièces de remplacement auprès support.nzxt.com. Pour les commentaires et les suggestions, envoyez un email à notre équipe de design, designer@nzxt.com.

Merci d'avoir acheté ce produit de NZXT. Pour plus d'informations sur NZXT, visitez notre site Web. Site Web de NZXT : NZXT.com

KUNDENDIENST UND SERVICE

Falls Fragen oder Probleme bezüglich Ihres NZXT-Produktes auftreten, wenden Sie sich bitte mit einer detaillierten Problembeschreibung und Ihrem Kaufbeleg an service@nzxt.com.

Ersatzteile können Sie unter support.nzxt.com anfragen.

Kommentare und Anregungen senden Sie bitte per designer@nzxt.com an unser Designteam. Vielen Dank, dass Sie ein NZXT-Produkt erworben haben. Weitere Informationen über NZXT erhalten Sie im Internet. NZXT-Webseite: NZXT.com



ASSISTENZA E SERVIZIO

In caso di dubbi o problemi con il prodotto NZXT acquistato, non esitate a contattarci utilizzando il nostro sistema di assistenza. support.nzxt.com Includere una spiegazione dettagliata del problema e la prova di acquisto. Per commenti e suggerimenti, siete pregati di inviare un messaggio al nostro team di progettisti, all'indirizzo: designer@nzxt.com. Infine, vogliamo ringraziarvi del vostro supporto con l'acquisto di questo prodotto. Per altre informazioni su NZXT, visitate il nostro sito. Sito NZXT: NZXT.com

ASSISTÊNCIA E MANUTENÇÃO

Caso tenha questões ou problemas com o produto NZXT adquirido, não hesite em contactar-nos através do endereço service@nzxt.com fornecendo a explicação detalhada do seu problema e a prova de compra. Poderá solicitar peças de substituição através do endereço support.nzxt.com. Para comentários e sugestões, contacte a nossa equipa de design através do endereço de e-mail, designer@nzxt.com. Obrigado por ter adquirido um produto NZXT. Para mais informações acerca da NZXT, visite-nos online. Web site da NZXT: NZXT.com

СЛУЖБА ПОДДЕРЖКИ И ОБСЛУЖИВАНИЯ

В случае возникновения вопросов или неисправностей в приобретенных вами продуктах NZXT обращайтесь по адресу: service@nzxt.com с подробным описанием проблемы и подтверждением покупки. О наличии запчастей можно узнать, обратившись по адресу: support.nzxt.com. Замечания и предложения отправляйте в адрес нашей группы разработчиков: designer@nzxt.com. Благодарим вас за покупку продукта NZXT. Более подробная информация о компании NZXT представлена на наших веб-сайтах. Веб-сайт NZXT: NZXT.com



지원 및 서비스

구입한 NZXT 제품과 관련하여 질문 또는 문제가 있을 경우, 당사의 지원 시스템 (support.nzxt.com)을 사용하여 문의하십시오. 문제를 자세히 기술하고 구매 증빙을 제출하십시오. 의견 또는 제안 사항이 있을 경우 당사 설계 팀에 designer@nzxt.com으로 이메일을 보내십시오. 마지막으로 이 제품을 구입하여 당사를 응원해 주셔서 감사합니다. NZXT에 대해 자세히 알려면 온라인으로 방문하십시오. NZXT 웹사이트: NZXT.com

サポートおよびサービス

購入されましたNZXTの製品に関するご質問または問題は、問題の詳細および購入の証明を添えて、ご遠慮なくservice@nzxt.comまでご連絡ください。交換部品はsupport.nzxt.comまでお尋ねください。ご意見およびご提案は弊社設計チーム、designer@nzxt.comまでメールを送信してください。NZXT製品をご購入いただきましてありがとうございます。NZXTに関する詳細は、インターネット上のウェブサイトをご覧ください。NZXTウェブサイト: NZXT.com

支持和服务

如果有任何疑问或者在使用 NZXT 产品的过程中遇到任何问题,欢迎联络 service@nzxt.com,联络时请提供关于问题的详细说明及购买凭证。您可以向 support.nzxt.com 查询更换部件。如有任何意见或建议,欢迎致信我们的设计团队,电子邮件地址是 designer@nzxt.com。感谢您购买 NZXT 产品。有关 NZXT 的更多信息,请造访我们的在线网站。NZXT 网站: NZXT.com

支援和服務

如果在使用NZXT 產品的過程中有遇到任何問題或疑問，歡迎聯繫 service@nzxt.com，並請提供問題的詳細敘述及購買證明。您可以透過 support.nzxt.com 查詢更換部件。如有任何意見或建議，歡迎來信與設計團隊聯繫 designer@nzxt.com。最後，感謝您購買 NZXT 產品。有關 NZXT 的更多信息，請訪問我們的網站。NZXT 網站: NZXT.com



重要安全資訊

小心觸電危險！

1. 請遵照所有製造商的指示和安全警告進行安裝。否則可能導致電源供應器或系統損壞，且可能造成嚴重傷亡。
2. 電源供應器存在高壓電。請勿開啟電源供應器機殼或嘗試維修電源供應器；所有元件皆不得由使用者自行維修。
3. 本產品的設計僅限室內使用。
4. 請勿在近水處，或者高溫或高濕度環境中使用電源供應器。
5. 請勿安裝在任何靠近熱源處 (如散熱器、熱調節器、爐具或其他會產生高溫的裝置)。
6. 請勿將任何物體插入電源供應器的開放式通風處或風扇網。
7. 請勿改裝此電源供應器隨附的連接線和/或接頭。
8. 如果此電源供應器是使用模組化連接線，請僅使用製造商所提供的連接線。
9. 24 針腳的主電源線接頭具有卸除式 4 針腳接頭。此 4 針腳接頭並非 P4 或 ATX 12V 接頭。請勿強行將此纜線插入主機板上的 P4 或 ATX +12V 插座。
10. 若未能遵守任何製造商的指示和/或安全指示，所有保固與保證將立即失效。

APPLIED SAFETY ITEMS AND REGULATIONS ON C SERIES PSU

ITEMS/REGULATIONS	WARRANTY LENGTH FOR PARTS
FCC	FCC Part 15B, Class B
ICES	ICES-003 Issue 6:2016
CE	EN 55032: 2012+AC: 2013, Class B CISPR 32: 2008, Class B EN 61000-3-2: 2014, Class D EN 61000-3-3: 2013 EN 55035: 2010
cTUVus	UL 62368-1: 2007/R:2014-10; CAN/CSA-22.2 no.62368-1
RCM	AS/NZS 62368.1:2018 AS/NZS CISPR 32: 2015, Class B
TUV Bauart	EN 62368-1 (ed.2)
CB	IEC 60950-1 (ed.2); am1; am2 IEC 62368-1 (ed.2)
CCC	GB 4943.1-2011 GB17625.1-2013
BSMI	CNS 13438 (2006) CNS 14336-1 (2010) CNS 15663 (2013)
EAC/CU TR	IEC 60950-1-2005
RoHS	2011/65/EU, Restriction of Hazardous Substances Directives
WEEE	2012/19/EU, Waste Electrical and Electronic Equipment Directive
RoHS (China)	China Order No.39, Administration on the Control of Pollution Caused by Electronic Information Products
KC	K 60950-1, K 00022, K00024



4.4 有害物质含量说明标示/限用物质含量标示声明



ROHS COMPLIANCE

交换式电源供应器 (型号 : PA-5B1B/PA-6B1B/PA-7B1B)

有害物质

部件名称	铅(Pb)	汞(Hg)	镉(Cd)	六价铬(Cr ⁶⁺)	多溴联苯(PBB)	多溴联苯醚(PBDE)
印刷电路板	○	○	○	○	○	○
电子零件-电阻类	X	○	○	○	○	○
电子零件-电容类	○	○	○	○	○	○
电子零件-电感类	X	○	○	○	○	○
电子零件-半导体类	X	○	○	○	○	○
金属结构件-散热片	X	○	○	○	○	○
金属结构件-机壳	X	○	○	○	○	○
塑料结构件	○	○	○	○	○	○
电源线材	X	○	○	○	○	○

本表格依据SJ/T 11364的规定编制。

○: 表示该有害物质在该部件所有均质材料中的含量均在 GB/T 26572 规定的限量要求以下。

X: 表示该有害物质至少在该部件的某一均质材料中的含量超出 GB/T 26572 规定的限量要求,然该部件仍符合欧盟命令 2011/65/EU 的规范。

备注:此产品所标示的环保使用期限,系指在一般正常使用状况下。

产品名称：交换式电源供应器 (型号 : PA-5B1B/PA-6B1B/PA-7B1B)

限用物质及其化学符号

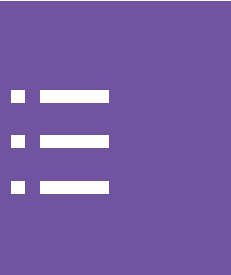
单元	铅(Pb)	汞(Hg)	镉(Cd)	六价铬(Cr ⁶⁺)	多溴联苯(PBB)	多溴联苯醚(PBDE)
印刷电路板	○	○	○	○	○	○
电子零件-电阻类	-	○	○	○	○	○
电子零件-电容类	○	○	○	○	○	○
电子零件-电感类	-	○	○	○	○	○
电子零件-半导体类	-	○	○	○	○	○
金属结构件-散热片	-	○	○	○	○	○
金属结构件-机壳	-	○	○	○	○	○
塑膠结构件	○	○	○	○	○	○
电源线材	-	○	○	○	○	○

備考1. “超出0.1wt%”及“超出0.01wt%”係指限用物质之百分比含量超出百分比含量基准值。

備考2. “○”係指该项限用物质之百分比含量未超出百分比含量基准值。

備考3. “-”係指该项限用物质为排除项目。

4.5 REVISION HISTORY



Version 1.0, 2021/06/10