



UK and Ireland distributor

Valla 20E / 20 TRX Mobile Crane



2.0 t

Tracked Pick & Carry Crane Standard Specifications

Max Lifting Capacity:	2,000 kg		Frame:	Pre-formed and welded steel plate with integral counterweight
Width:	950mm		Boom:	2 hydraulic telescopic sections
Weight:	2,100 kg (20E basic spec)	2,100 kg (20D basic spec)	Hydraulic System:	Self enclosed circuit, powered by geared pump, fitted with self cancelling valves, maximum hydraulic pressure 200 Bar
Power Source:	Electric	Diesel	Safe Load Device:	Fitted electronic load indicator, visual audible indicators to meet CE Regulations
Motor: (20E)	12 kW - 28v AC fanned reversible electric motor fitted with variable speed control, disk brake on drive wheel electrically operated		Tracks	Rubber
Engine: (20D)	16.5 HP - 4 cylinder, water cooled			
Transmission:	Reduction between motor and wheel by gears in oil bath, max speed 2 Km/h			



CPCS - A66 compact crane endorsement B

Product specifications are subject to change without notice or obligation. The photographs and/or drawings in this document are for illustrative purposes only.



Northern 01482 227333

Central 01302 341659

Southern 0203 174 0658

www.hird.co.uk

Northern (Head Office)
English Street
Hull HU3 2BS

Tel: +44 (0)1482 227333
Fax: +44 (0)1482 587710
Email: info@hird.co.uk

Central
Shaw Lane Industrial Estate
Ogden Road, Doncaster DN2 4SQ

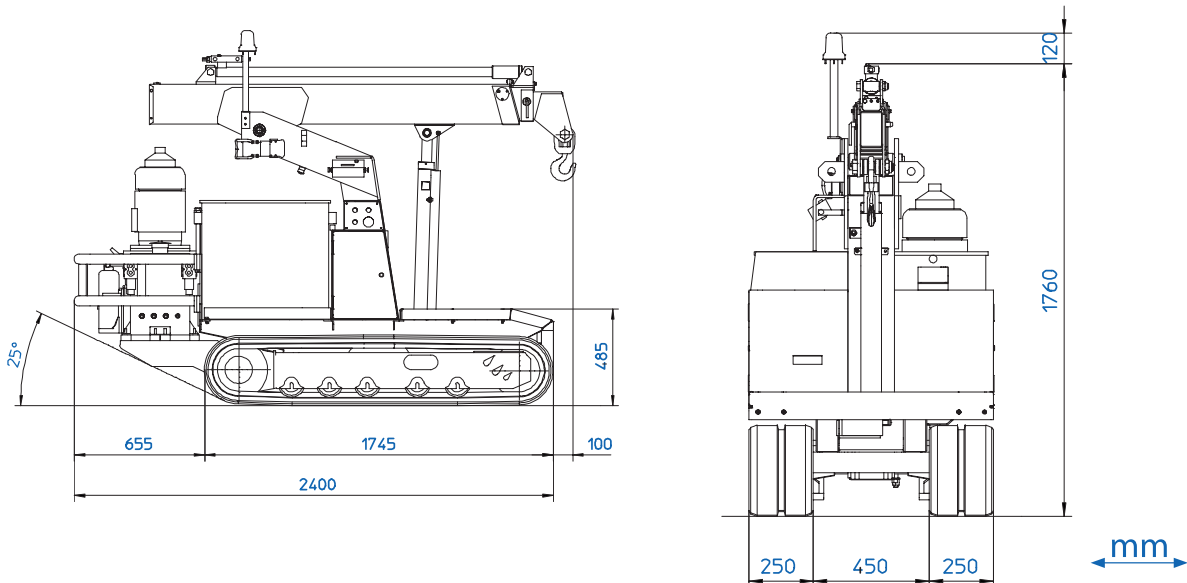
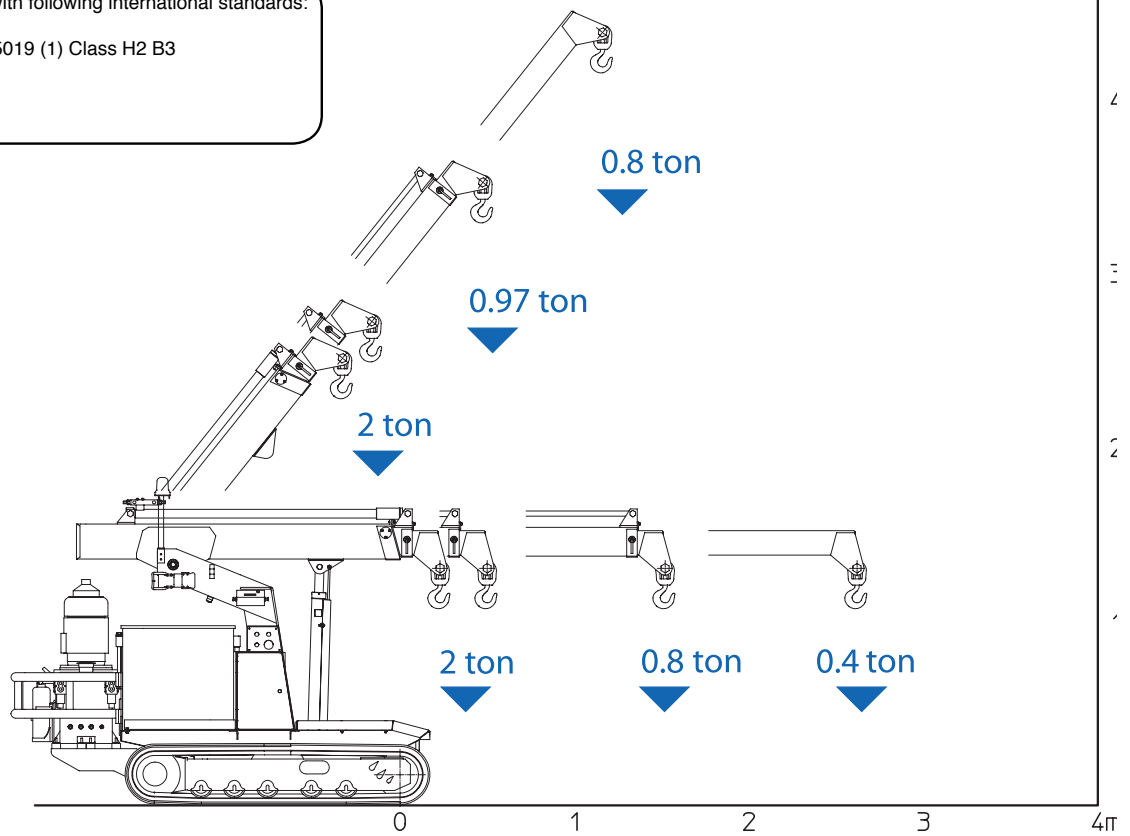
Tel: +44 (0)1302 341659
Fax: +44 (0)1302 341675
Email: doncaster@hird.co.uk

Southern
Unit 8, Redhill 23 Business Park Holmethorpe Avenue
Redhill RH1 2NB

Tel: +44 (0)203 174 0658
Fax: +44 (0)1737 773188
Email: london@hird.co.uk

The crane complies with following international standards:

- I.S.P.E.S.L.
- DIN 15018 (1,3) - 15019 (1) Class H2 B3
- ANSI - 1994
- 98/37/CE
- 89/336/CEE



Product specifications are subject to change without notice or obligation. The photographs and/or drawings in this document are for illustrative purposes only.



Northern 01482 227333 Central 01302 341659 Southern 0203 174 0658

www.hird.co.uk