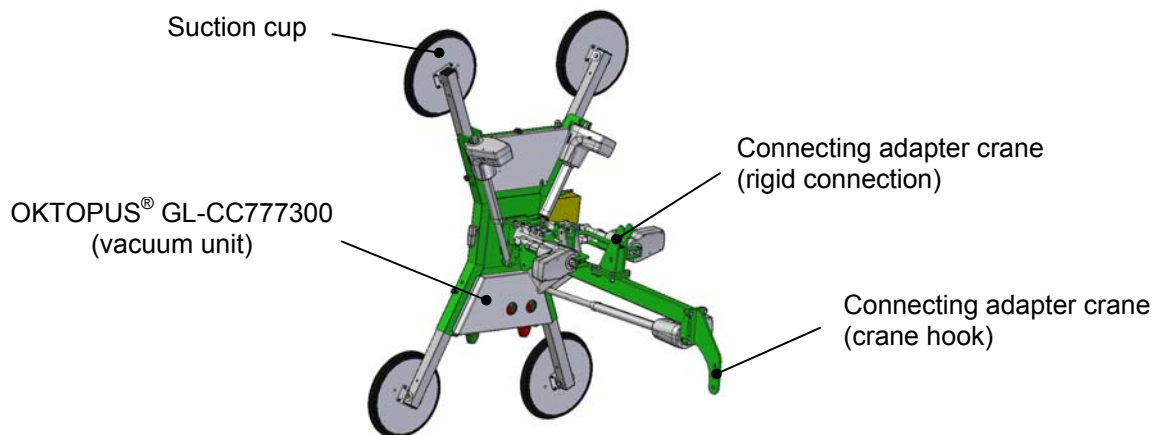


Data Sheet

OKTOPUS® GL-CC777300

Range of application:

Suitable for lifting and moving of large-format glass panels in combination with a mini crane.



Description:

- crane attachment for use on construction sites
- mounting both at the crane hook and directly at the crane arm possible
- 2 independent vacuum circuits, each vacuum circuit with dual safety system and integrated reserve vacuum
- integrated gauge for monitoring the vacuum and power supply
- optical and acoustic alarm signals deviations of the set conditions
- batteries attached on the lower end of the crane arm supply the vacuum unit with electric power
- electric actuators for a precise, stepless rotating (95°), swivelling ($\pm 40^\circ$) and tilting (120°) of the load
- activation of the rotating, swivelling and tilting cylinder as well as all pneumatic functions by radio remote control
- extension arms also permit handling of large-format panels
- fulfils DIN EN 13155 requirements

Typical application: Handling of glass panels in industrial construction.

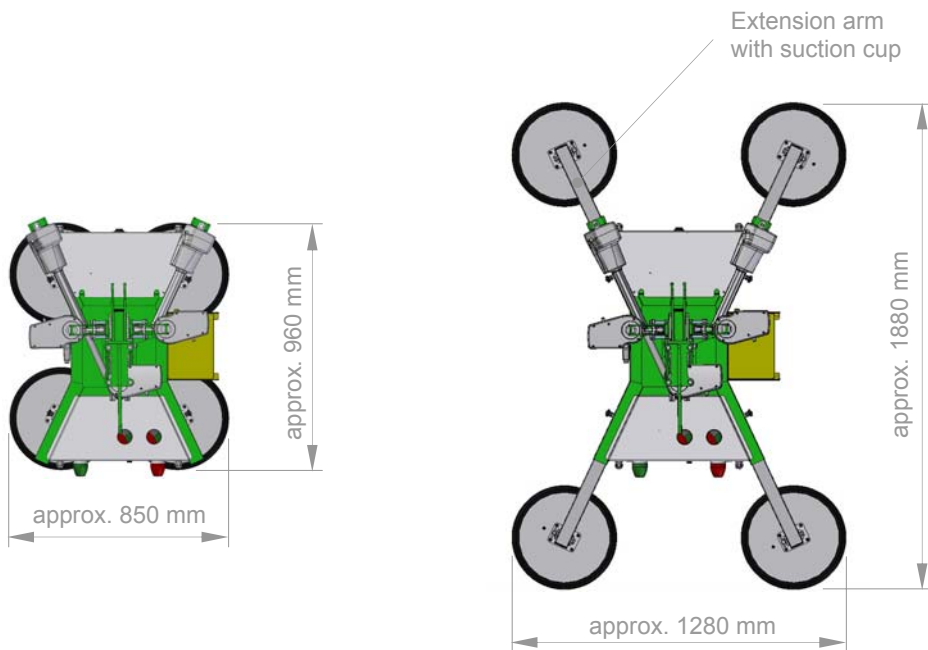
The building panels to be processed: - must be air impermeable on the suction surfaces
- have a clean and even surface
- may not be covered by a protective film

Safe Working Load: 300 kg (4 suction cups \varnothing 400 mm)

Weight of device: vacuum unit: approx. 123 kg

Controls: radio remote control
 Power supply: 24 V battery
 Vacuum production: vacuum pump

Dimensions:



Photos:

