

# AMCH

A Mini Crane Hire Company Limited

VIEW OUR FULL RANGE   
amchire.com

NATIONAL HELPLINE   
0844 770 6774

CUSTOMER SUPPORT   
info@amchire.com

## CATEGORY

Pick and Carry Cranes

## MODEL

20DTRX Valla



## KEY FEATURES

- Maximum lifting capacity 2 tonnes
- Fitted with tracks perfect for all terrain ground.
- Operated via remote control.
- Rubber low load-bearing tracks
- Double section telescopic boom
- Powered by a 16.5 HP four cylinder water-cooled diesel engine.
- Visual and audible load safety indicators

## Technical Data

<b>Max Capacity</b>	2000kg
<b>Max Working Height</b>	4.00m
<b>Capacity @ Max. Height</b>	800 kg
<b>Max Working Radius</b>	2.60m
<b>Capacity @ Max. Radius</b>	400 kg
<b>Power Source</b>	Diesel Engine
<b>Total Machine Weight</b>	1900kg
<b>Total Machine Width</b>	950mm
<b>Total Machine Stowed Height</b>	1880mm
<b>Total Machine Length</b>	2400mm

# AMCH

A Mini Crane Hire Company Limited

VIEW OUR FULL RANGE   
amchire.com

NATIONAL HELPLINE   
0844 770 6774

CUSTOMER SUPPORT   
info@amchire.com

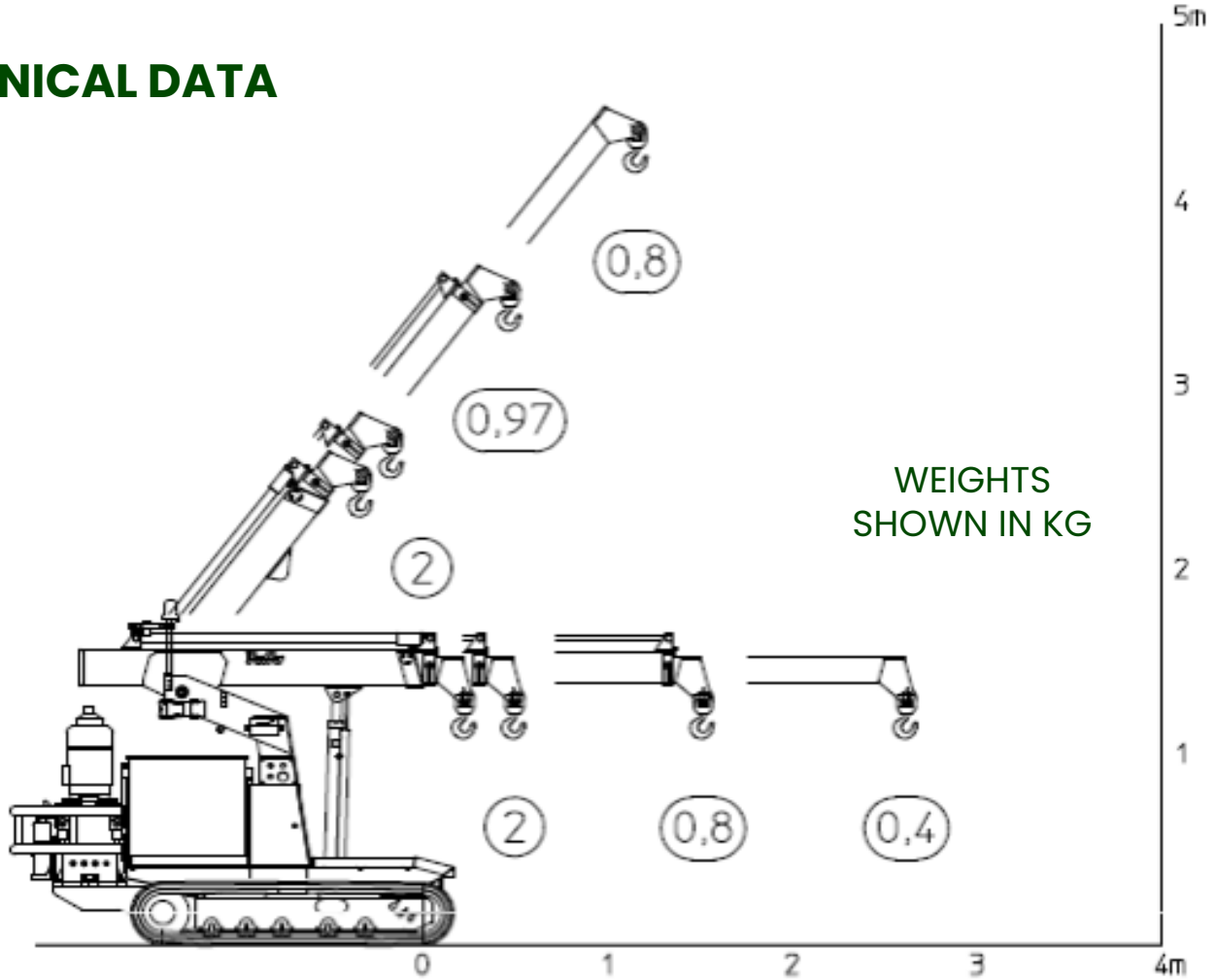
CATEGORY

Pick and Carry Cranes

MODEL

20DTRX Valla

## TECHNICAL DATA



## DIMENSIONS

