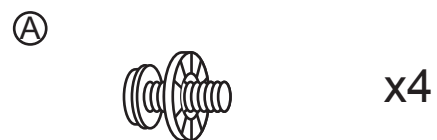
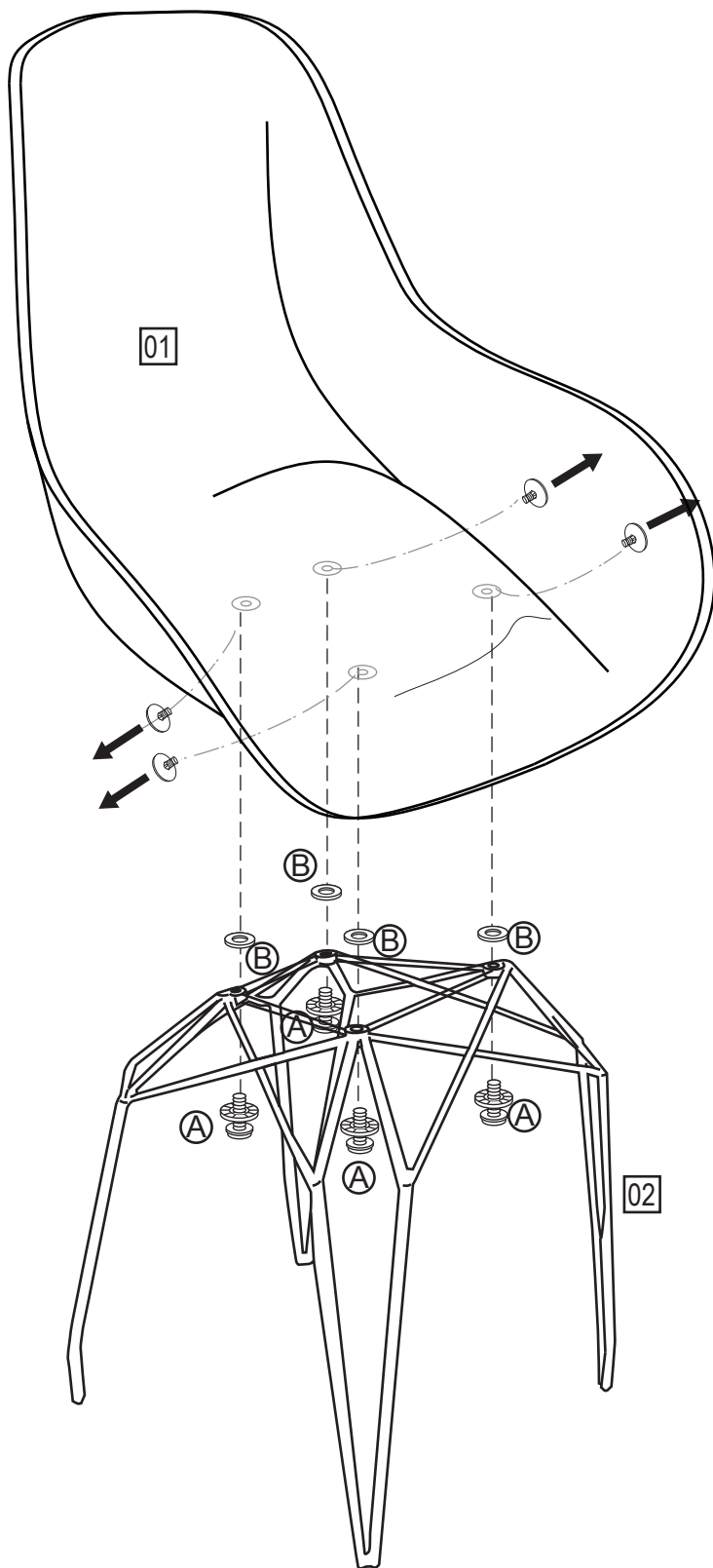


DIAMOND BASE

FITTINGS



COMPONENT CHECKLIST

PART	No.	Qty.	
Seat	01	1	<input type="checkbox"/>
Tube	02	1	<input type="checkbox"/>

TOOL REQUIRED



Allen key (supplied)