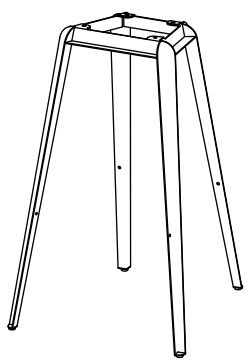

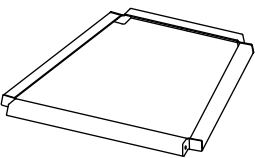


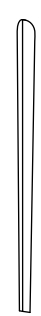
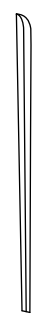

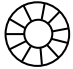
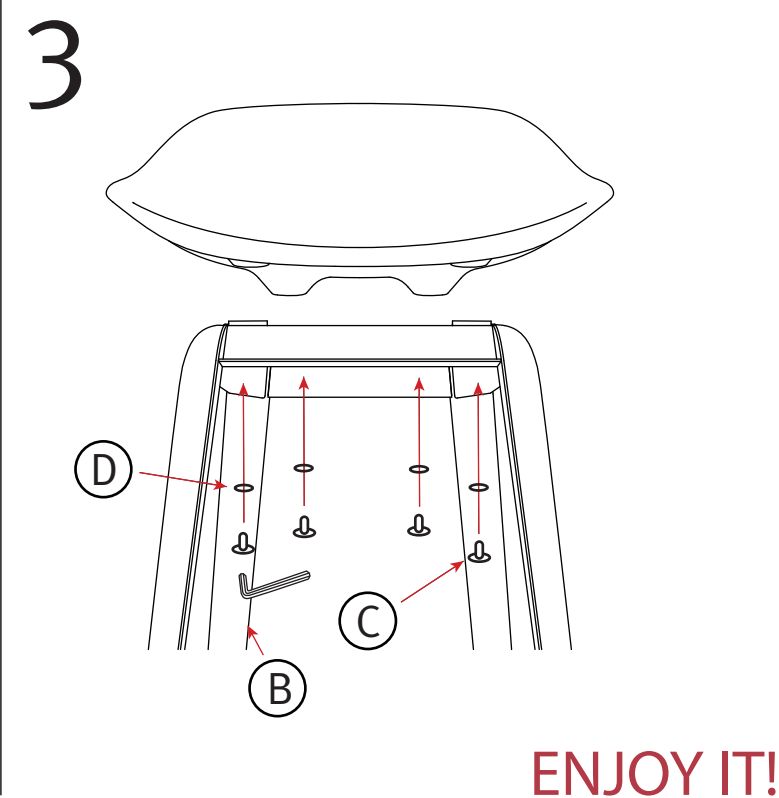
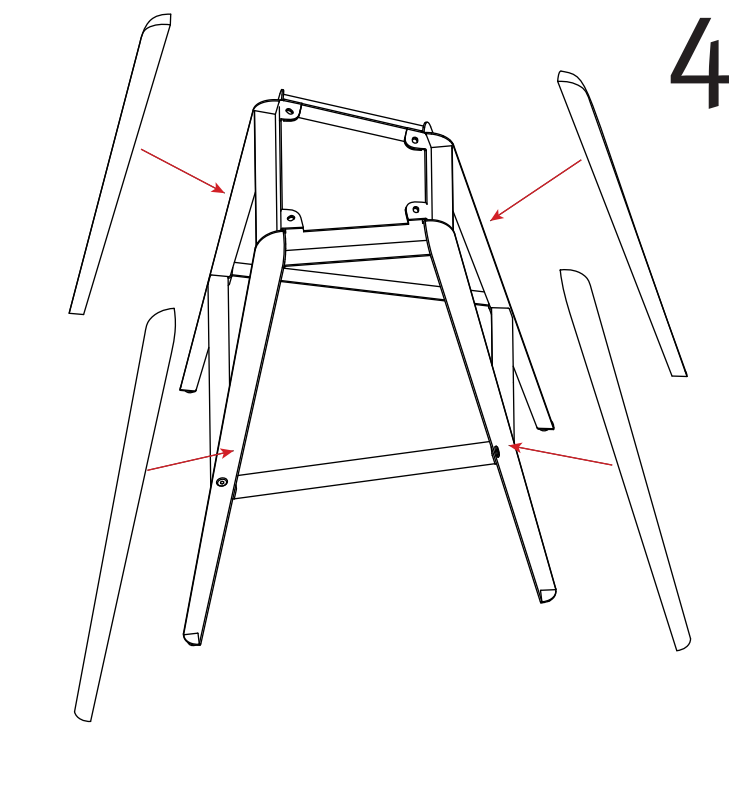
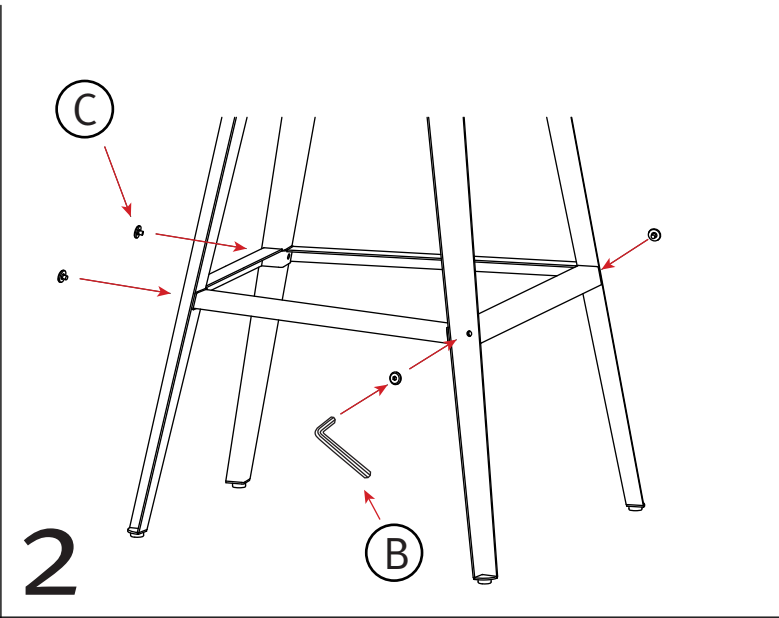
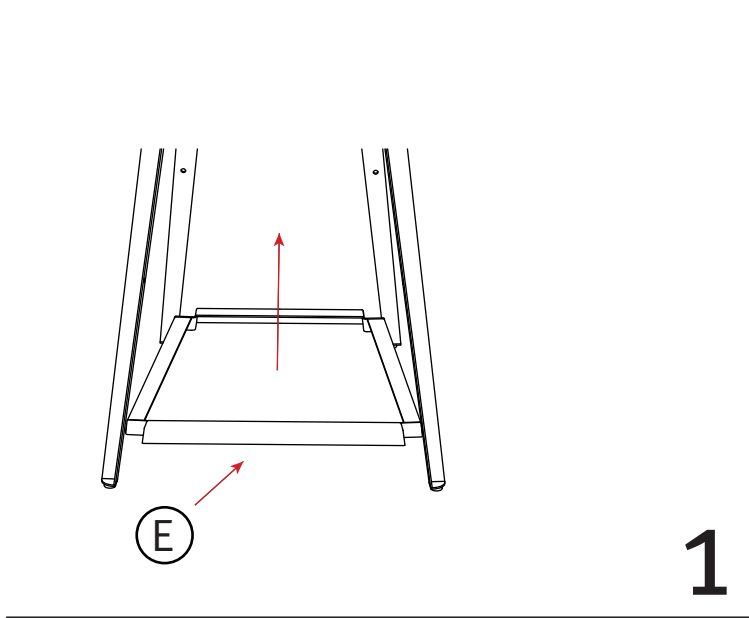


SLICE bar stool

ASSEMBLY INSTRUCTIONS

<p>1x (A)</p> 	<p>1x (B)</p> 	<p>4x (E)</p> 	<p>1x (1)</p> <p>FRONT LEFT WOOD</p> 	<p>1x (2)</p> <p>FRONT RIGHT WOOD</p> 	<p>1x (3)</p> <p>BACK LEFT WOOD</p> 	<p>1x (4)</p> <p>BACK RIGHT WOOD</p> 	
<p>8x (C)</p> 							
<p>4x (D)</p> 							



ENJOY IT!