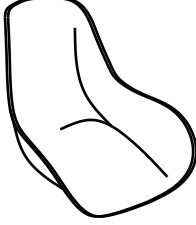
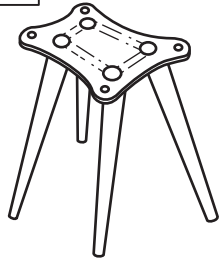
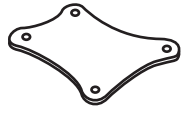




ANGEL BASE		FITTINGS	
Ax1		Bx1	
		Cx1	
		Dx5	
		Ex5	
		Fx1	