

HARVIA

Sauna & Spa

WOOD-HEATED PRODUCTS



English

The Harvia logo consists of the word "HARVIA" in a bold, white, sans-serif font, centered within a red square.

Sauna & Spa

Content

HEALING WITH HEAT	5
RESPONSIBILITY	6
GreenFlame: Harvia's range of low-emission wood-burning heaters	8
WOOD-BURNING HEATERS	10
Harvia Legend 150	13
Harvia Legend 300	13
Harvia Legend 240 GreenFlame	15
Harvia Legend SL	16
Harvia Legend Duo	17
Accessories for Harvia Legend heaters	19
Legend water heater, 25 litres	20
Harvia Linear 16	23
Harvia 22 GreenFlame	24
Harvia M3	26
Harvia M3 SL	27
Harvia Pro 20	28
Harvia Pro 26	29
Harvia Pro 36	29
Harvia Pro 20 ES	32
Harvia Pro 20 SL	34
Harvia Pro 20 Duo and Harvia Pro 36 Duo	34
Harvia 50	37
Harvia Duo glass wall	39
FIRE SAFETY AND HEATER ACCESSORIES	40
Harvia steel chimney	40
Steel chimney damper plate	41
Smoke pipes	43
Protective sheaths and beddings	44
WATER HEATING, HEATING AND COOKING	46
Harvia cauldron 50 litres	46
Harvia cauldron 80 litres	46
Harvia pipe model water heater	47
Harvia Thermio water heater, 25 litres	47
Harvia electric water heater	47
Harvia flare smoker	48
SAUNA ACCESSORIES	50
Harvia sauna heater stones	52
TECHNICAL INFORMATION	54

Relaxing Moments & Natural Wellbeing

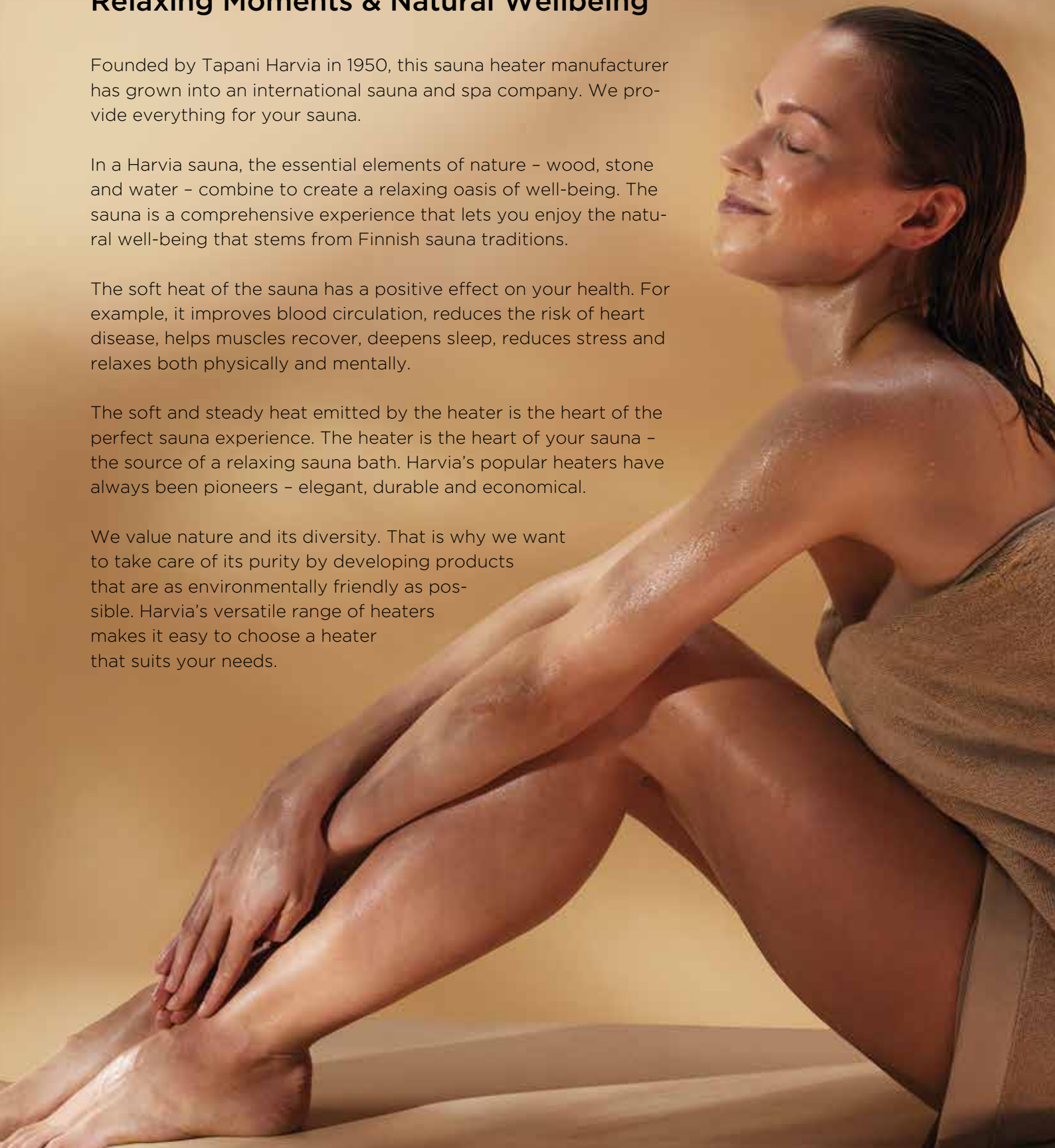
Founded by Tapani Harvia in 1950, this sauna heater manufacturer has grown into an international sauna and spa company. We provide everything for your sauna.

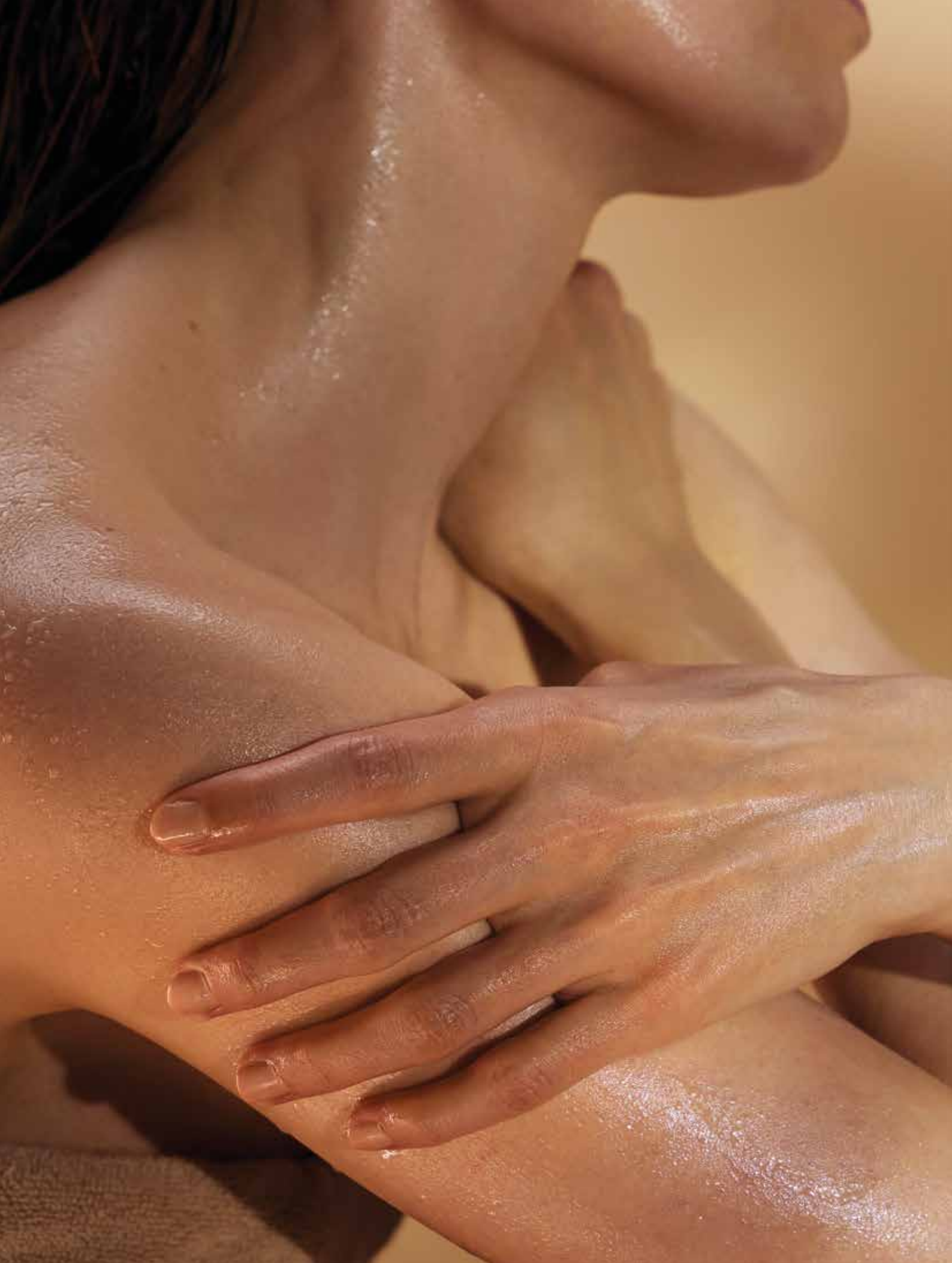
In a Harvia sauna, the essential elements of nature – wood, stone and water – combine to create a relaxing oasis of well-being. The sauna is a comprehensive experience that lets you enjoy the natural well-being that stems from Finnish sauna traditions.

The soft heat of the sauna has a positive effect on your health. For example, it improves blood circulation, reduces the risk of heart disease, helps muscles recover, deepens sleep, reduces stress and relaxes both physically and mentally.

The soft and steady heat emitted by the heater is the heart of the perfect sauna experience. The heater is the heart of your sauna – the source of a relaxing sauna bath. Harvia's popular heaters have always been pioneers – elegant, durable and economical.

We value nature and its diversity. That is why we want to take care of its purity by developing products that are as environmentally friendly as possible. Harvia's versatile range of heaters makes it easy to choose a heater that suits your needs.





HEALING WITH HEAT



Sauna's heat is good for the heart

Taking 2–3 sauna baths per week is enough to lower the risk of cardiovascular disease by 20% compared to those sauna bathing only once a week. The risks may decrease by up to 65% the more one sauna bathes.

Laukkanen, Khan, Zaccardi & Laukkanen 2015



Sauna bathing improves sleep quality

A study investigating the connection between sauna bathing and sleep saw a 70% increase in deep sleep during the first two hours and 45% increase in six hours. There was a statistically significant decrease in the participants' staying-up time after sauna bathing.

Putkonen & Elomaa 1976



Sauna bathing is exercise

The heat of the sauna makes the heart pump blood faster, expanding the blood vessels and relieving the heart.

Brunt, Howard, Francisco, Ely, Minston 2016



Sauna bathing improves memory

Sauna bathing twice a week decreases the risk of dementia by one fifth compared to those sauna bathing only once a week. The risk is up to 60% less for people sauna bathing 4–7 times a week.

Laukkanen, Kunutsor, Kauhanen & Laukkanen 2016



Sauna bathing cherishes the skin

The heat of the sauna multiplies the amount of blood pumping through superficial veins, which boosts the skin's metabolism. The skin feels nourished, maintains moisture and stays soft and elastic.

Viinikka 2020



Sauna bathing treats muscles

Sauna is a great place for relaxing tense muscles. However, sauna bathing before exercise prevents muscle pains and increases muscle mobility afterwards.

Khamwong, Paungmali, Pirunsan & Joseph 2015



RESPONSIBILITY

Harvia acts responsibly, respecting nature and people

Responsibility is a central part of our work. We have been making our activities and products more and more sustainable since our beginnings more than 70 years ago, as Harvia has evolved from a traditional heater and sauna manufacturer to a leading international player in the sauna and spa industry.

All Harvia products are made sustainably and designed to be safe and long-lasting. We have long been committed to caring for the environment in every phase of our work, including design, production, logistics, use, and recycling.

The main impacts of our operations on the environment and on people and society arise from the primary production of raw materials and materials used in production, our own production facilities, our activities as an employer, and the use of our products.

We offer consumers all over the world the relaxing and health-promoting benefits of sauna bathing.





Our commitment to sustainable development for people and the planet

1. Good and healthy living

Harvia's products have a positive impact on health and longevity.

We share science-backed information on the health benefits of heat, and promote regular, healthy sauna bathing.

2. Responsible experiences and pleasures

We advise our end users on the responsible use of our products.

We invest in the research and development of products that reduce harmful environmental emissions and optimize energy consumption.

We use sustainable and responsibly sourced materials.

3. Minimizing our environmental footprint

To help limit global warming and contribute to global efforts to protect the environment, Harvia aims to continually reduce greenhouse gas emissions from its operations.

4. A safe and friendly community

At Harvia, we firmly believe that working closely together and supporting each other leads to prosperity and long-term partnerships with employees, customers, and partners.

We care about the safety and skills development of our employees, and we are committed to equality in the workplace.

Clean heat from wood-burning heaters

Did you know that the way you light a fire in your sauna heater also has an environmental impact? Lighting from the top of the wood in the heater is the most environmentally friendly and energy-efficient method, as this allows the flue gases to burn cleaner and produce as little smoke as possible.

Below are some tips on how to make wood burning more eco-friendly and efficient.

- 1 Place the wood in the fire chamber horizontally, leaving about half of the chamber empty.**
- 2 Smaller kindling wood and other kindling is placed on top of the logs.**
- 3 Light the kindling from several angles so that the fire will burn steadily, proceeding downwards.**
- 4 Use only dry wood, as burning wet wood wastes energy.**
- 5 Soot that gathers in the fire chamber and the flue consume a lot of energy.**



GreenFlame: Harvia's range of low-emission wood-burning heaters

Launched in 2020, the Harvia Legend GreenFlame heater has a completely redesigned fire chamber for cleaner burning. The design of the fire chamber reduces fine particulate emissions by a fifth, and carbon monoxide emissions by 70 percent compared to similar wood-burning heaters of the same size.

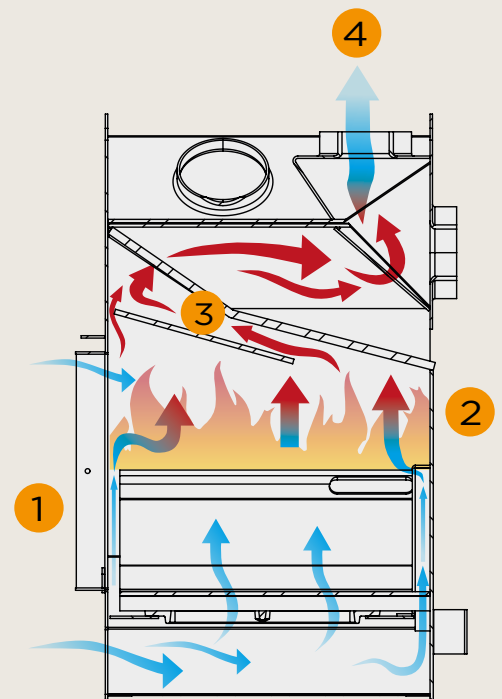
Harvia is involved in the multi-year KIUAS-2 project at the University of Eastern Finland, the purpose of which is to reduce emissions from wood-burning heaters and develop a certificate to compare the particulate emissions of sauna heaters. Harvia's revamped GreenFlame fire chamber is part of our long-term development towards cleaner burning of wood and reduction of emissions. Harvia's mission is to eventually halve the quantity of fine particulate emissions from wood-burning heaters.

The Harvia GreenFlame fire chamber is optimized for cleaner burning. A large glass door adds atmosphere, while the heater's advanced combustion technology and highly durable structure ensure a more responsible sauna experience.



Green Flame

- ✓ *Advanced fire technology*
- ✓ *70% lower carbon monoxide emissions*
- ✓ *Lower fine particulate emissions*
- ✓ *Long-lasting structure*



Behind the large glass door of the **Harvia Legend 240 GreenFlame** wood-burning heater, the blazing fire burns cleanly. All you have to do is enjoy the magically soothing atmosphere. Suitable for a medium-sized sauna, the heater is low-emission, durable and easy to use. The plentiful amount of stones ensures soft steam similar to a smoke sauna. Read more on page 15.



The **Harvia 22 GreenFlame** is a stylish and timeless wood-burning heater with a large glass door that beautifully displays the clean-burning fire for an incomparably cozy atmosphere. Suitable for a medium-sized sauna, the heater is even more energy-efficient thanks to Harvia's GreenFlame technology. Read more on page 24.



- 1 Air is conducted through the ash box and the hatch to the fire chamber.
- 2 There, the air is mixed evenly with the combustion process, which leads to clean combustion.
- 3 The hot flue gases go through the channels in the top part of the sauna heater, efficiently transmitting heat to the heater frame, stones and the whole sauna.
- 4 The combustion gases exit through the chimney.



WOOD-BURNING HEATERS

What kind of heat do you prefer? Are you looking for a heater for your cabin sauna or a large community sauna? Different heaters are suitable for different saunas and needs. In addition to your own preferences, you should consider the size and structure of the sauna. Fortunately, there is plenty to choose from.

Soft baths

For soft baths, heaters with a large mass of stones are the right solution. The temperature of the sauna stays moderate, and the large mass of stones ensures a humid bath with lots of steam. You can also heat a separate Legend smoke pipe guard with the smoke pipe, which further increases the mass of stones. You will not run out of heat even if the fire goes out for a moment. Instead, the temperature remains stable. Enjoy a soft sauna bath with your family!

See: Harvia Legend and Harvia Legend smoke pipe guard

Sharp baths

Harvia's traditional wood burning heaters are sure to give you a traditional hot and sharp bath. The sauna heats up to a high temperature and you feel the heat on your skin with every throw.

See: *Harvia Pro and Harvia M*

Small sauna and efficient use of space

In a small space, the heater's space requirement and ease of use are emphasised. The heater must not be too powerful, as it would heat up the sauna too quickly. It must also be possible to use the heater safely.

Protective sheaths around the heater allow installation in a small space without restricting air circulation, and the heater can be placed close to the walls and bench. Make sure there is enough space in front of the heater for safe use and easy adding of wood.

Also check out the wood burning heater models that are heated from outside the sauna. They provide easy access and create a fireplace atmosphere outside the sauna. This will help you make the most of your sauna space and keep your sauna clean.

See: *Protective sheaths and DUO/SL wood burning heaters*

Four heater options for a wood-burning heater



TRADITIONAL



HEATER WITH
WATER TANK



PILLAR HEATERS



2-IN-1 STOVE AND
FIREPLACE MODEL

Large saunas

Large saunas and traditional log saunas require a lot from the heater to maintain an even temperature. The heater needs to have a lot of power, durability and good air circulation.

A high-powered traditional wood burning heater with protective sheaths is a solid choice. Fixed fireproof walls, for example, may restrict air circulation in the sauna. The protective sheaths of the heater allow the heater to circulate air from the back as well, ensuring an even temperature and rapid heating.

A well-designed large sauna maintains an even temperature and heats up quickly, saving wood and the environment.

See: *Harvia 36 and protective sheaths*

Heating water in the sauna

Water can be heated quickly and easily in the sauna with the heaters' water tanks or a cauldron. A quick and space-saving solution is a pipe-mounted water tank or a wood burning heater with a water tank. These solutions provide sufficient bathwater for the bathers, as the water heats up very quickly. You can also purchase a separate water tap for your water tank for comfortable and safe use.

Harvia cauldrons are the solution for greater water needs. The cauldron gives your sauna the traditional feel of a country sauna, and you can also use it to heat water when the sauna is cold.

See: *Pipe model water heaters and cauldrons*

Selecting a heater

The heater is part of the sauna's interior design and ambience. Find the right design for you from Harvia's range of wood burning heaters. A properly built sauna room is a very important factor in getting the most out of your wood burning heater. The heater power is selected based on the size and material of the sauna.

An average of 1 kW of power is required for each cubic metre of sauna volume. The power requirement increases if there are window surfaces or heat-storing surfaces such as brick or concrete in the sauna.

Considerations when choosing the heater power:

- Start the selection process by measuring the cubic volume of your sauna.
- For each non-insulated square meter, add 1.2 cubic meters to the volume of the sauna.
- If the interior walls of the sauna room are made of non-insulated logs, the corresponding factor is 1.5.
- A handy tool is available for these calculations at www.harvia.com



Legend



Handmade – stories about steam

The Harvia Legend is a story about authenticity and extremely durable Harvia quality. Every Harvia Legend product is part of the heroic story of Harvia, founded in 1950 and currently the world's largest sauna heater and heater manufacturer. Every Legend product is a handmade masterpiece by Harvia's master blacksmiths. Choose Legend and start your own legendary sauna story.

The Harvia Legend provides you with the ultimate sauna experience. This large heater takes you back to the origins of heaters – it is a heater in its purest form. The patinated steel frame of the Harvia Legend contains a large amount of stones that gives off a generous amount of steam even in large saunas as it heats up. Due to the open structure of the stone compartment, you can throw water on the entire outer surface of the heater. The heat stored in the large number of stones allows you to throw more water even at a lower temperature – you can enjoy delightfully humid steam in your sauna.

Harvia Legend 150

The Harvia Legend 150 offers comfortably humid steam for a smaller sauna. The heater is a treat for the eye and for the sauna users. The Harvia Legend 150 is equipped with a cast-iron-framed glass door, allowing the warm glow of the fire to add to the ambience in the sauna. The heater is equipped with adjustable feet for easier installation.



LEGEND 150
WK150LD



LEGEND 300
WK300LD

Harvia Legend 300

The Harvia Legend 300 provides a generous amount of steam in medium-sized and large saunas. The heater comes with a large and stylish steel-framed glass door. The large fire chamber can even fit bigger firewood, with the maximum length being 47 cm. The heater is equipped with adjustable feet for easier installation.

Heater model	Recommended sauna room size min-max. m ³	Dimensions (W x D x H) mm	Height adjustable approx. mm	Weight kg	Stone compartment max. kg
WK150LD	6-13	530 x 530 x 740	30	58	120
WK300LD	14-28	600 x 660 x 1040	30	94	260

OPTIONS



Protective sheath
WL200



Legend smoke pipe
guard, WL300



Legend safety railing
SASPO240/ SASPO241



Protective bedding
WL100



Steel chimney
damper plate
WHP270SPM



Black steel chimney
WHP1500M



Harvia Legend 240 GreenFlame

Fire roars cleanly behind the large glass door of the Harvia Legend 240 GreenFlame wood burning heater, and you can just enjoy the magical and relaxing ambience. The low-emission, durable and easy-to-use sauna heater is suited to medium-sized saunas. Its hefty stone quantity guarantees a traditional, soft saunabath.

The heart of the sauna heater is a fully renewed GreenFlame fire chamber, which has been designed with clean combustion in mind. The new fire chamber reduces the particulate emissions generated by wood combustion by one fifth and carbon monoxide emissions by 70%. Choose a one-of-a-kind handmade Legend and start your own legendary sauna story.



LEGEND 240 GREENFLAME
WK200LD

Heater model	Recommended sauna room size min-max. m ³	Dimensions (W x D x H) mm	Height adjustable approx. mm	Weight kg	Stone compartment max. kg
WK200LD	10-20	600 x 600 x 835	0	82	200

OPTIONS



Protective sheath
WL200



Legend smoke pipe
guard, WL300



Legend safety railing
SASPO240/ SASPO241



Protective bedding
WL100



Steel chimney
damper plate
WHP270SPM



Black steel chimney
WHP1500M



Harvia Legend 2-in-1 stove and fireplace heaters

Harvia Legend wood-burning heaters offer an unparalleled sauna experience. The black steel frame contains a large number of stones. The heat that is stored in the large amount of stones produces a larger amount of steam even at low temperatures. This ensures that you'll still have plenty of steam to enjoy even if the fire goes out for a while. The fire chamber of the Harvia Legend Duo is outside the sauna room, and the heater is installed through the wall.

The fire chamber of Harvia's Legend heaters has a modern fire grate structure that distributes the combustion air. Part of the combustion air is directed to the top of the combustion chamber, resulting in more efficient and cleaner burning. The grate design also extends the life of the heater. The side and rear protective distances from the burning wood allow for a freer layout of the sauna boards.

Harvia Legend SL

The Harvia Legend SL heater is designed for those who want to conveniently heat their sauna from another room or from outside the building. The heater's door can be installed to open on either side to accommodate your needs. The heater is equipped with adjustable feet for easier installation.



LEGEND 150 SL
WK150LDSL

LEGEND 240 SL
WK240LDSL

Harvia Legend Duo

Warm up your Harvia Legend Duo wood-burning heater from the other side of the sauna wall and enjoy the flames behind its large glass door creating a pleasant atmosphere in the room. Relax in front of the glowing fire while waiting for your sauna to heat up for enjoyable bathing on the other side of the wall.

The detailed steel frame of the Harvia Legend Duo holds a massive amount of stones that heat up quickly resulting in humid and gentle sauna baths reminiscent of those of an authentic smoke sauna. The Duo sauna heater is easy to keep clean and, unlike a regular wood-burning stove, the ashes are removed outside the sauna.

Harvia Duo heaters allow you to place the benches more freely and the safety railing accessory guarantees a safe bathing experience. Heating water is easy with the pipe mounted Legend water tank which is available separately for the Duo wood-burning heaters. Make your sauna experience even more perfect with Harvia Legend accessories.



LEGEND 240 DUO
WK240LDLUX

LEGEND 300 DUO
WK300LDLUX

Heater model	Recommended sauna room size min-max. m ³	Dimensions (W x D x H) mm	Height adjustable approx. mm	Weight kg	Stone compartment max. kg
WK150LDSL	6-13	530 x (530 + 200) x 740	30	62	120
WK240LDSL	10-24	600 x (600 + 180) x 830	30	82	200
WK240LDLUX	10-24	600 x (600 + 180) x 830	30	95	200
WK300LDLUX	15-30	600 x (660 + 120) x 1040	30	99	260

OPTIONS



Protective sheath
WL200



Legend smoke pipe
guard, WL300



Legend safety railing
SASPO240/ SASPO241



Protective bedding
WL100



Steel chimney
damper plate
WHP270SPM



Black steel chimney
WHP1500M



Accessories for Harvia Legend heaters

Smoke pipe guard for Legend heaters

A wood-heated Legend heater can be equipped with a stone-filled smoke pipe guard. When the guard is used, the safety distance to the smoke pipe is significantly shorter, as the heat is mostly stored in the stones. The product is both elegant and practical, as water can be thrown onto a much larger area. The product can be used in all wood-heated Legend heaters and with Harvia steel chimneys.



40 kg

Model: WL300

Dimensions: width 300 mm, depth 300 mm, height 560 mm, weight 4,5 kg

Protective sheath for Legend heaters

The protective sheath for Legend heaters reduces the safety distance considerably. The number of protective sheath elements mounted can range from 1 to 3 as required. The product can be used with all wood-heated Legend heaters. The sheath is made of a metal sheet that has been painted black.

Model: WL200

Dimensions: width 520 mm, depth 125 mm, height 1000 mm, weight 6,7 kg

Protective bedding for heaters

The protective bedding is made from aluminium-zinc-coated steel sheet that is painted black. The protective bedding is used, for example, when the heater is installed onto a waterproofed tile floor.

Model: WL100

Dimensions: width 470 mm, depth 665 mm, height 60–75 mm, weight 10 kg

Safety railing for Legend heaters

The Harvia Legend safety railing is mounted around a Legend heater or heater. The safety railing is made of heat-treated wood. The railing's mountings are painted black. The safety railing can also be mounted as a two-level installation in front of the heater. Additional mounts are necessary for mounting the safety railing as two halves.

Model: SASPO240 / SASPO241

Dimensions: width 780/850 mm, depth 780/850 mm



Legend safety railing
SASPO240 / SASPO241

Legend water heater, 25 litres

Perfectly compatible with Legend heaters, the pipe model water heater quickly heats up your bathwater. The 25-litre water heater will crown your Legend heater the king of all cottage saunas. The tap solution of the Legend water heater is placed away from the hot water tank and the heater. This makes the tap safer to use, as there is no fear of hot water splashes.

 15 kg

Model: WP250LD

Dimensions: width 360 mm, depth 360 mm, height 910 mm
(water tank height 450 mm), weight 10 kg



Completing the sauna interior

Legend sauna light

Like the name suggests, the appearance of the Legend sauna light is linked to rustic Legend heaters. Colour black. Dimensions 230 x 180 mm (width x height) Includes both a light and a shade. Protection rating IP44, E14 bulb (max. 40 W) not included in the delivery.

Modell: SAS21107

Dimensions: width 230 mm, height 180 mm



Legend glass doors

Complete your sauna interior with a Legend glass door that is a good match for Legend heaters and heaters. The door frame is made of black stained pine, while the handle is made of black painted hardwood. The glass door is available in clear, bronze, smoky grey and satin. Legend glass doors are available in all standard sizes: 7 x 19, 8 x 19, 9 x 19, 8 x 21 and 9 x 21. The door is also available with an aluminium frame painted black.



Bronze



Smoky grey



Satin



Clear



LEGEND SAUNA ACCESSORIES



Legend bucket
SASPO100



Legend ladle
SASPO101



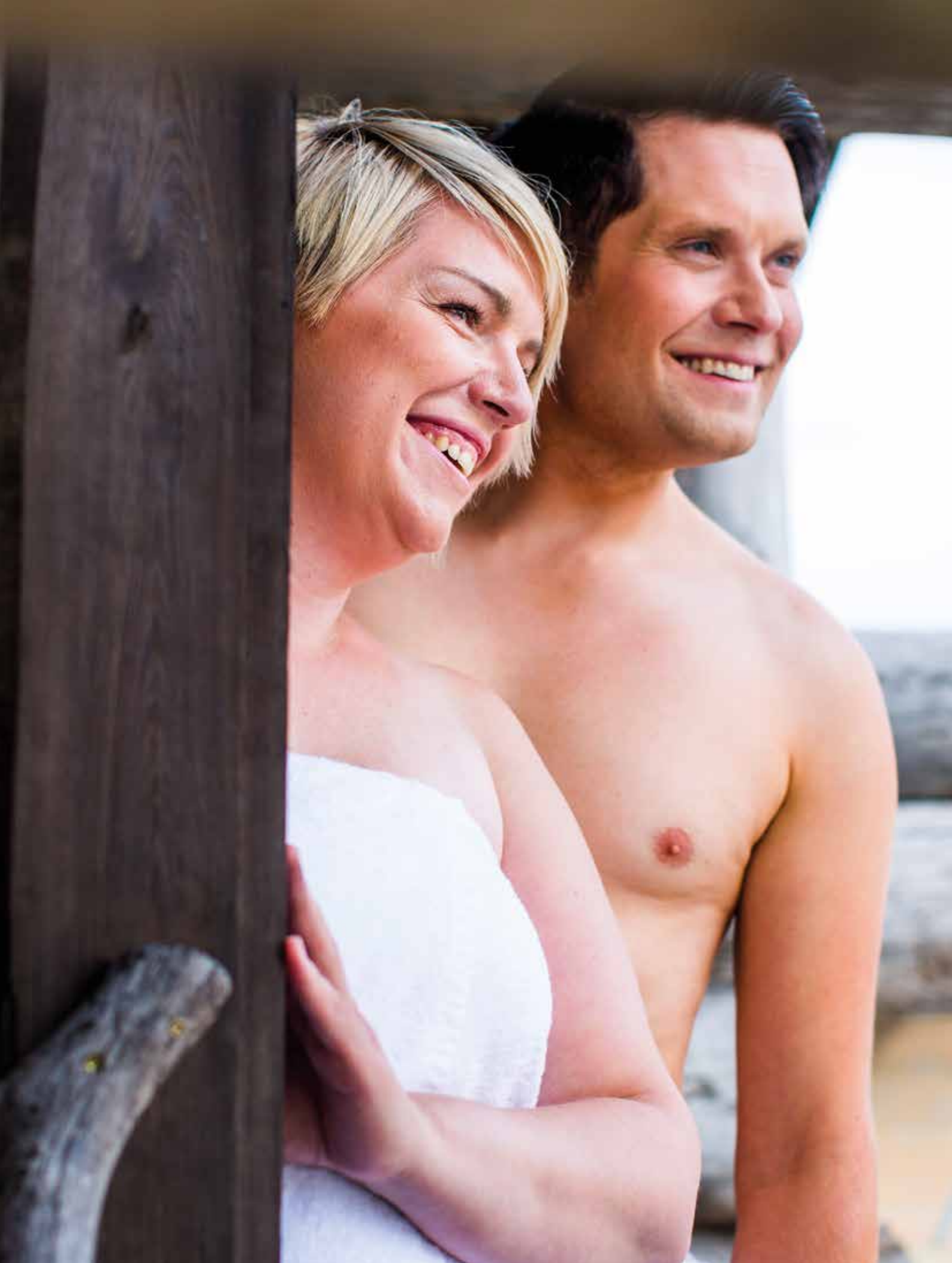
Legend firewood rack
SASPO102



Legend clothes hanger
SASPO103



Legend thermometer
SASPO104



Harvia Linear 16

The Harvia Linear 16 heater is a source of glowing heat and pleasant steam for small saunas. The flames visible through the cast-iron-framed glass door create a warm ambiance in the sauna. The door can be installed to open on either side.

The fire chamber and combustion air channels of Harvia heaters are designed so that the sauna warms up quickly and the burning is cleaner.



HARVIA LINEAR 16
WKP160C, WKC160

Heater model	Recommended sauna room size min-max. m ³	Dimensions (W x D x H) mm	Height adjustable approx. mm	Weight kg	Stone compartment max. kg
WKPC160, WKC160	6-16	420 x 450 x 735	0	46	36

OPTIONS



Protective sheath one side WL425



Protective sheath full WL475



Steel chimney WHP1500M (black) WHP1500



Steel chimney damper plate WHP270SPM (black) WHP270SP



Protective bedding WL100



Harvia 22 GreenFlame

Harvia Linear 22 GreenFlame is a timeless and elegant black wood burning heater with a large glass door that creates a wonderful atmosphere and highlights the fire beautifully. The heater is perfect for medium-sized saunas and boasts lower emission levels thanks to the GreenFlame technology. GreenFlame ensures a controlled burn, reliable operation and a long life for your heater.

The stones of the Linear 22 GreenFlame heater heat the entire sauna quickly, offering enough heat even for the most demanding sauna bathers. Linear GreenFlame represents pioneering quality in sauna heater technology. The heart of the heater is a fully updated GreenFlame fire chamber, which has been designed with clean combustion in mind. The new fire chamber reduces the particulate emissions generated by wood combustion by 20% and carbon monoxide emissions by 70%. The updated GreenFlame fire chamber is an element in Harvia's determined development efforts towards cleaner combustion and emission reductions. As a long-term goal, Harvia has decided to cut the particulate emissions of wood burning heater by half.



LINEAR 22 GREENFLAME
WKLI22GM, WKPLI22GM

OPTIONS



Protective sheath
one side WL525
Harvia 22



Protective sheath full
WL575
Harvia 22



Protective sheath
one side WL530
Harvia 22 ES



Protective sheath full
WL580
Harvia 22 ES



Protective sheath full
WL585
Harvia 22 LS/RS



LINEAR 22 GREENFLAME LS
WKLI22GLSM, WKPLI22GLSM



LINEAR 22 GREENFLAME ES
WKLI22GESM, WKPLI22GESM



LINEAR 22 GREENFLAME RS
WKLI22GRSM, WKPLI22GRSM

The Linear GreenFlame heaters can be used to heat up bathwater at the same time as the sauna with 20% lower emissions. You can select the model that suits you best based on the interior decoration of your sauna. The water tank is fixed either at the front (ES), right (RS) or left (LS). The water tap is conveniently positioned towards the bottom of the heater so that hot water can be run into any container safely.

Heater model	Recommended sauna room size min-max. m ³	Dimensions (W x D x H) mm	Height adjustable approx. mm	Weight kg	Stone compartment max. kg
WKLI22GM, WKPLI22GM	9-18	450 x 510 x 770	30	73	40
WKLI22GLSM, WKPLI22GLSM	9-18	450 x 660 x 770	30	83	40
WKLI22GESM, WKPLI22GESM	9-18	550 x 510 x 770	30	78	40
WKLI22GRSM, WKPLI22GRSM	9-18	550 x 510 x 770	30	78	40



Protective bedding
WL100
Harvia 22/22ES



Protective bedding
WL110
Harvia 22 LS/RS



Steel chimney
WHP1500M (black)
WHP1500



Steel chimney damper plate
WHP270SPM (black)
WHP270SP



Harvia M3

Classically stylish in its design, the Harvia M3 heater is suitable for a small wood-heated sauna. It ensures that using the sauna is a pleasant experience and makes the sauna feel like a traditional sauna. The even heat given off by the heater and the efficient fire and air circulation guarantee an enjoyable sauna experience.

The heaters can be equipped with a pipe model water heater. The Harvia M3 is equipped with a glass door, through which the glowing fire adds to the ambience in the sauna. The heater is available in stylish graphite black, and its upper grating is made of stainless steel.



HARVIA M3
WKM3

Harvia M3 SL

Warm up your Harvia M3 SL wood-burning heater from the other side of the sauna wall and enjoy the flames behind its glass door creating a pleasant atmosphere in the room. Relax in front of the glowing fire while waiting for your sauna to heat up for enjoyable bathing on the other side of the wall.

The Harvia M3 SL heater is designed for vigorous bathing in small family saunas. The stone space of the heater always guarantees an enjoyable sauna bath and a hot sauna within a short time. The model has adjustable feet that make installation easier, enabling you to easily find the right height for the smoke outlet. The stove can be equipped with the pipe-model water heater. The outer casing of the stove is made of stainless steel.

Harvia SL heaters allow you to place the benches more freely. Heating water is easy with the pipe mounted water tank which is available separately for the wood-burning heaters.



HARVIA M3 SL
WKM3SL

Heater model	Recommended sauna room size min-max. m ³	Dimensions (W x D x H) mm	Height adjustable approx. mm	Weight kg	Stone compartment max. kg
WKM3	6-13	390 x 430 x 710	0	45	30
WKM3SL	6-13	390 x (430 + 220) x 710	30	50	30

OPTIONS



Protective sheath side WL400



Protective sheath full, WL450



Steel chimney WHP1500M (black) WHP1500



Steel chimney damper plate WHP270SPM (black) WHP270SP



Protective bedding WL100



Harvia Pro 20

The Harvia Pro 20 heater is designed for vigorous bathing in medium-sized saunas. Thanks to the large stone compartment of the heater, the steam is as pleasant and hearty as you can wish for. The fire glowing behind the cast-iron-framed glass door adds to the ambience of the sauna.

The sturdy 10-millimetre-thick fire chamber cover ensures durability. The model also features adjustable feet to facilitate installation. They can be used to adjust the height of the smoke outlet, for example. The heater can be equipped with a pipe model water heater.

In this new generation of Harvia Pro 20 wood burning heaters, the shapes and contours of the heaters have been given a new fresh look while respecting the traditions of the classic Pro 20 heater.



HARVIA PRO 20
WK200

OPTIONS



Protective sheath
one side WL500
Harvia Pro 20



Protective sheath full
WL550
Harvia Pro 20



Protective sheath
one side WL700
Harvia Pro 26



Protective sheath full
WL750
Harvia Pro 26



Protective sheath
one side WL800
Harvia Pro 36

Harvia Pro 26

The Harvia Pro 26 provides larger saunas with top-class heat and steam. The large amount of stones ensures pleasant heat, even if the fire goes out for a moment. The heater features a cast-iron-framed glass door and steel upper grating. The adjustable feet make the heater easier to install. The heater can be equipped with a pipe model water heater. The outer casing of the heater is painted graphite black.



HARVIA PRO 26
WK260

Harvia Pro 36

The Harvia Pro 36 is a powerhouse heater for big saunas. Its features ensure that even a larger group of people can enjoy a hearty amount of steam. The generous amount of stones makes it possible to enjoy the stay in the sauna for a long time. You will not run out of heat even if the fire temporarily goes out. The heater has an upper grate made of steel. Thanks to the adjustable feet, the heater can be easily placed in the sauna. The outer casing of the heater is painted graphite black. The heater can be equipped with a pipe model water heater.



HARVIA PRO 36
WK360

Heater model	Recommended sauna room size min-max. m ³	Dimensions (W x D x H) mm	Height adjustable approx. mm	Weight kg	Stone compartment max. kg
WK200	8-20	430 x 510 x 760	30	60	40
WK260	10-26	430 x 510 x 810	30	65	50
WK360	14-36	510 x 510 x 810	30	70	60



Protective sheath full
WL850
Harvia Pro 36



Steel chimney
WHP1500M (black)
WHP1500



Steel chimney damper plate
WHP270SPM (black)
WHP270SP



Protective bedding
WL100



Protective bedding
WL110
Pro 36



Harvia Pro 20 ES

A favourite for cottage saunas, the Harvia Pro 20 ES is a practical heater that provides a hearty amount of steam. The front of the heater features a 20-litre water tank that is easy to use. It heats up the water while the heater is being heated. The water tank has a tap on the side of your choice. The fire glowing behind the cast-iron-framed glass door adds to the ambience of the sauna. The sturdy 10-millimetre-thick fire chamber cover ensures durability. The heater has a large stone compartment and steel upper grating. The heater is also equipped with adjustable feet. The outer casing of the Harvia Pro 20 ES heater is painted graphite black.



HARVIA PRO 20 ES
WK200ES

Harvia Pro 20 LS and Harvia Pro 20 RS

Equipped with water tanks on the side, the Harvia Pro 20 LS and Harvia Pro 20 RS are practical heaters that provide a hearty amount of steam. Water heats up in a spacious 30-litre water tank while the heater is being heated. The fire glowing behind the glass door with a narrow cast iron frame adds to the ambience of the sauna. The sturdy 10-millimetre-thick fire chamber cover ensures durability. The heater has a large stone compartment and steel upper grating. The heaters are equipped with adjustable feet.

The water tank is located on the left (L) in the Harvia Pro 20 LS and on the right (R) in the Pro 20 RS. Together with the Harvia Pro 20 ES, these heaters equipped with a water tank make it easy to choose the model best-suited for your sauna.

OPTIONS



Protective sheath
one side WL600



Protective sheath full
WL650



Protective sheath
one side WL500



Protective sheath full
WL590



Steel chimney
WHP1500M (black)
WHP1500



HARVIA PRO 20 LS
WK200LS



HARVIA PRO 20 RS
WK200RS

Harvia Pro 20 GreenFlame accessory package

Sauna users can have some control over the harmful emissions from their sauna heater. After all, even a small eco-friendly deed makes a difference. The Harvia Pro 20 GreenFlame accessory kit will further reduce the harmful emissions from your Harvia Pro 20 heater. Harvia's advanced GreenFlame technology makes wood burning even more efficient, and significantly reduces environmentally harmful emissions. The more controlled combustion of wood lowers harmful emissions such as carbon monoxide and fine particulate emissions, and evens out the temperature of the heater, making its use more eco-friendly and extending its lifetime. The Harvia Pro 20 GreenFlame accessory kit is easy to install on the Harvia Pro 20 heater later.

Heater model	Recommended sauna room size min-max. m ³	Dimensions (W x D x H) mm	Height adjustable approx. mm	Weight kg	Stone compartment max. kg
WK200ES	8-20	430 x 650 x 760	30	75	40
WK200RS	8-20	580 x 510 x 760	30	65	40
WK200LS	8-20	580 x 510 x 760	30	65	40



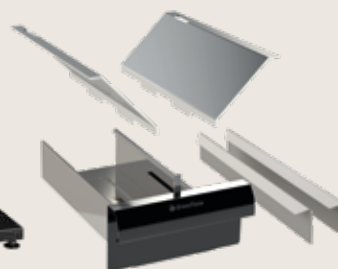
Steel chimney damper plate
WHP270SPM (black)
WHP270SP



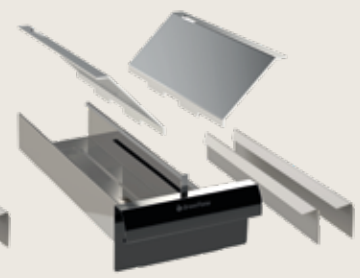
Protective bedding
WL100
Pro 20 ES



Protective bedding
WL110
Pro 20 RS/LS



GreenFlame KIT
WXPRO20KIT1
Pro 20/LS/RS



GreenFlame ES KIT
WXPRO2ESKIT
Pro 20 ES

Harvia Pro 20 SL

You can warm up your Harvia Pro 20 SL wood-burning heater from the other side of the sauna wall and enjoy the flames behind its glass door creating a delightful atmosphere in the room. Relax in front of the glowing fire while waiting for your sauna to heat up for enjoyable bathing on the other side of the wall.

Harvia Pro 20 SL is designed for vigorous bathing in medium-sized saunas. The stone space of the heater always guarantees an enjoyable sauna bath and a hot sauna within a short time. The model has adjustable feet that make installation easier, enabling you to easily find the right height for the smoke outlet. The stove can be equipped with the pipe-model water heater.

Harvia SL heaters allow you to place the benches more freely. Heating water is easy with the pipe mounted water tank which is available separately for the wood-burning heaters.



HARVIA PRO 20 SL
WK200SL

Harvia Pro 20 Duo and Harvia Pro 36 Duo

Warm up your Harvia Pro DUO wood-burning heater from the other side of the sauna wall and enjoy the flames behind its large glass door creating a pleasant atmosphere in the room. Relax in front of the glowing fire while waiting for your sauna to heat up for enjoyable bathing on the other side of the wall.

Harvia Pro DUO is designed for vigorous bathing in medium-sized saunas. The stone space of the heater always guarantees an enjoyable sauna bath and a hot sauna within a short time. The model has adjustable feet that make installation easier, enabling you to easily find the right height for the smoke outlet. The stove can be equipped with the pipe-model water heater. The outer casing of the stove is made of stainless steel.

Harvia DUO heaters allow you to place the benches more freely. Heating water is easy with the pipe mounted water tank which is available separately for the wood-burning heaters.



HARVIA PRO 20/36 DUO
WK200SLUX, WK360SLUX



Heater model	Recommended sauna room size min-max. m ³	Dimensions (W x D x H) mm	Height adjustable approx. mm	Weight kg	Stone compartment max. kg
WK200SL	8-20	430 x (510 + 220) x 760	30	70	40
WK200SLUX	8-20	430 x (510 + 280) x 760	30	80	40
WK360SLUX	14-36	510 x (510 + 280) x 810	30	80	60





Harvia 50

The Harvia 50 heater is the king of public saunas, designed to provide ample steam for large groups of bathers. The great amount of stones guarantees even heat in a large sauna. The steam given off by the heater contains the age-old spirit of the Finnish sauna tradition. The Harvia 50 heater is designed for camp centres, sports centres and service sector businesses, among others. The heater is painted in a stylish graphite black.



HARVIA 50
WK500

Heater model	Recommended sauna room size min-max. m ³	Dimensions (W x D x H) mm	Height adjustable approx. mm	Weight kg	Stone compartment max. kg
WK500	20-50	510 x 720 x 1050	30	160	120

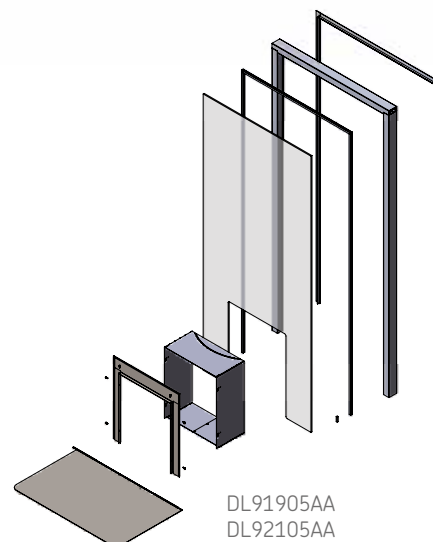


Innovation meets Finnish design

Harvia Duo glass wall

The Harvia Duo glass wall is a brilliant innovation. Designed for use with Harvia Duo heaters, the glass wall is not only a decorative element, but a way to share light and heat between the sauna and the sitting room. The glass releases more heat to the sitting room than masonry walls, and does so much more quickly.

You can also install the heater and the glass wall so that the heater door opens to your patio and the glass wall allows natural light to illuminate the sauna. The light-coloured satin glass wall also makes it possible to bring large glass surfaces to outdoor saunas, such as the Harvia Solide Outdoor design sauna.



The Duo glass wall is an easy solution

- no masonry
- the delivery contains all the necessary parts, including plating for covering the fire chamber extension and a floor protector
- get the benefits of the Duo heater in the sauna room: the room stays tidy and you can place the benches as freely as in an electric sauna

The Duo glass wall is compatible with all Harvia Duo heaters

PRODUCT	PRODUCT SIZE					GLASS, THICKNESS 8 MM	
	Aluminium frame (mm)	Frame colour	Aluminium trims	Frame depth (mm)	Weight (kg)	Size (mm)	Colour ***
DL91905AA	890 x 1890**	white	x	60	39	820 x 1820	Satin
DL92105AA	890 x 2090**	white	x	60	43	820 x 2020	Satin

* You must leave a gap measuring 25 to 35 mm between the glass and the floor for the floor protector. The part of the floor protector that extends under the glass is designed to prevent water from getting into the space where the heater's door is located. The seams must be sealed with a suitable adhesive sealing compound.

** Installation hole size with frames DL91905AA = min. 900 x 1,900 mm, DL92105AA = min. 900 x 2,100 mm.

*** The glass does not contain iron, which is why it has no tint of green, instead being fully white.



FIRE SAFETY AND HEATER ACCESSORIES

The warm embrace of a wood-heated sauna is the best place for relaxation. The pleasant hum of the heater and gentle light cast by the flames add ambience to the sauna experience. Good sauna design and the right accessories also ensure the safety of the bathers and the sauna room.

Harvia steel chimney

The Harvia steel chimney is a stylish chimney solution that is easy to install. The steel chimney withstands extensive changes in temperature and is particularly designed for use with wood burning heaters, smaller fireplaces and iron heaters in detached sauna buildings.

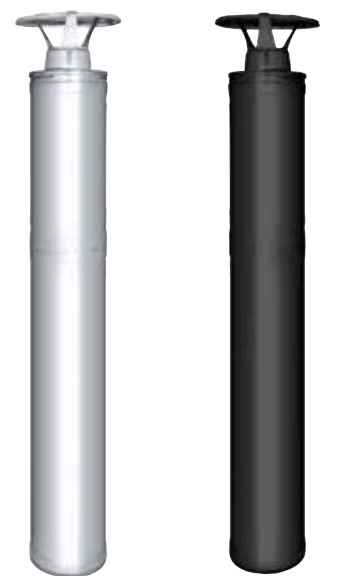
DELIVERY CONTENTS:

- 1.5 m steel chimney
- A utility box containing one metre of non-insulated smoke pipe, a rain cap, a rubber rain flange and an installation set for the rain flange, a stainless steel lead-through flange for the ceiling and a lead-through insulation and protector.

Build a chimney solution that is the right fit for you

The 1.5 m steel chimney can be easily extended with extensions measuring 0.5 and 1.0 metres in length. By connecting extensions and smoke pipes to the steel chimney (see page 39), you can build a chimney solution that meets your needs. Thanks to an ingenious joint mechanism, the supplementary parts are wound together and the smoke pipes are locked in place by their grooves. Indoors, the chimney can be installed up to a height of 3 metres without support. Outdoors, the corresponding self-supported installation height is 2 metres.

Carefully read through the instructions for the use and installation of the steel chimney and the fireplace or heater connected to it.



WHP 1500

WHP 1500M

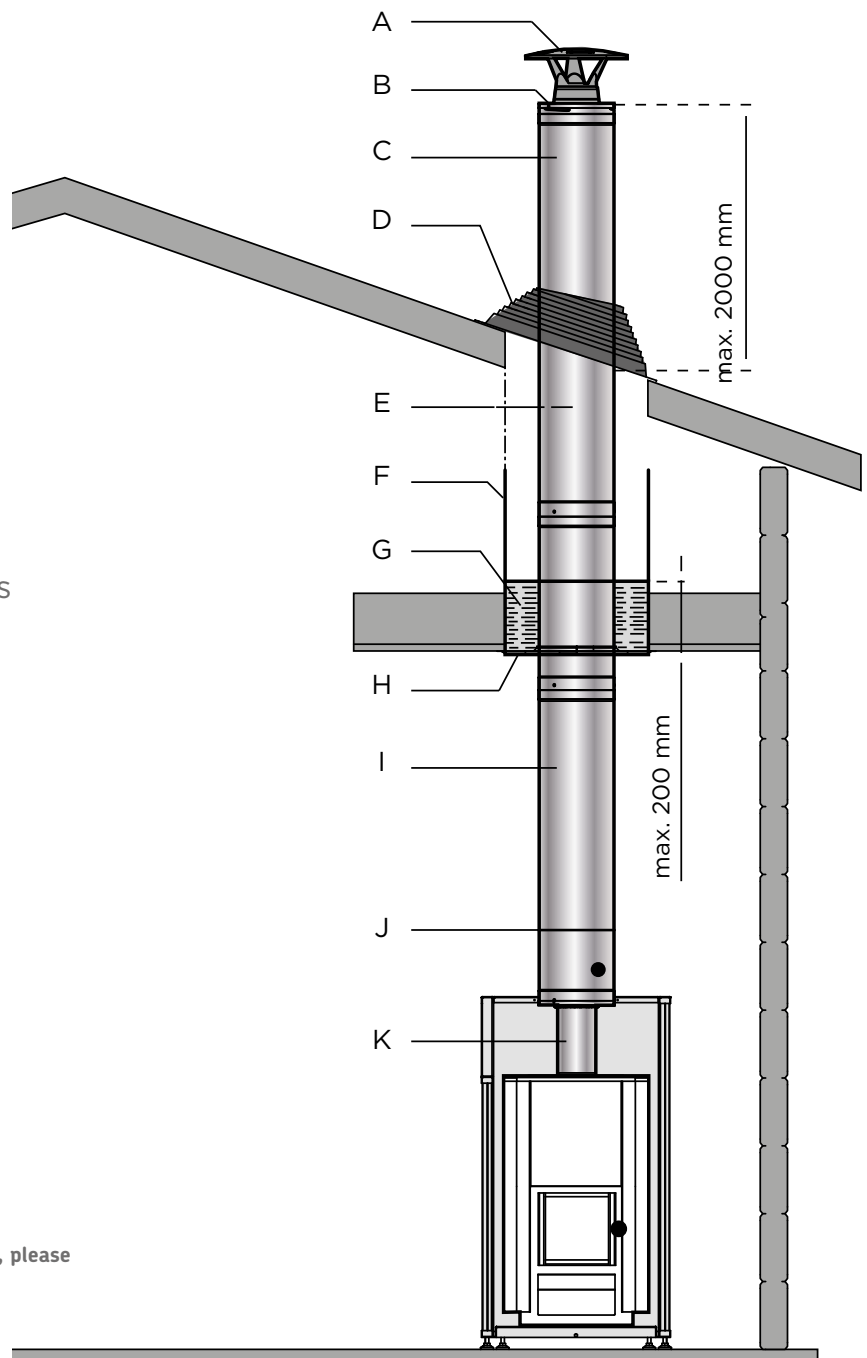
Steel chimney damper plate

Harvia's insulated damper plate makes the steel chimney even better suited for heated sauna buildings used in the winter. The CE marked damper plate meets the fire safety requirements and can be installed with all Harvia steel chimneys. The damper plate is available in two colours: steel and black.



WHP 270SP

WHP 270SPM



Harvia's steel chimney modules form a functional package

- A Rain cap WZ030115
- B Upper end
- C Steel chimney extension 0,5–1 m
WHP1000 / WHP1000M, WHP500 / WHP500M
- D Clamp band and rain flange (rubber)
- E Minimum distance 100 mm
- F Lead-through guard
- G Lead-through insulation ZSH-200 or
100 mm fire-rated mineral wool
(sealed to support the chimney)
- H Lead-through flange WZ020115
- I Steel chimney 1.5 m
WHP1500/WHP1500M
- J Steel chimney damper plate,
WHP270SP/WHP270SPM
- K Uninsulated smoke pipe 1 m,
stainless steel (cut to a suitable length)

For more detailed advice on fire safety regulations, please contact your local fire inspector.

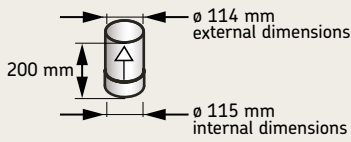


Smoke pipes

Smoke pipes made of stainless or powder-coated steel are available for all wood-heated Harvia heaters (excluding Harvia 50). Harvia smoke pipes are CE marked.

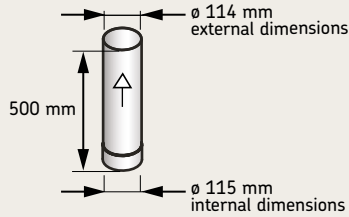
SMOKE PIPE 0,2 m

WZ11520, stainless steel 0,7 mm



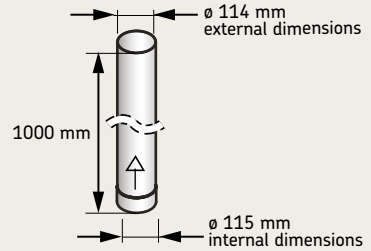
SMOKE PIPE 0,5 m

WZ050M, painted steel 2,0 mm
 WZ11550, stainless steel 0,7 mm



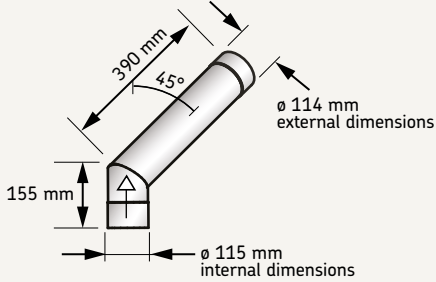
SMOKE PIPE 1,0 m

WZ100M, painted steel 2,0 mm
 WZ115100, stainless steel 0,7 mm

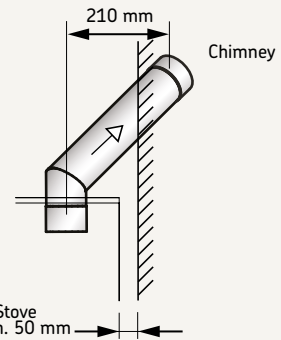
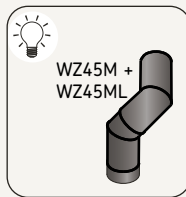
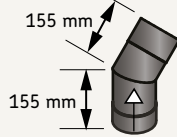


ANGLE PIPE 45°

WZ45M, painted steel 2,0 mm
 WZ45ST, stainless steel 0,7 mm

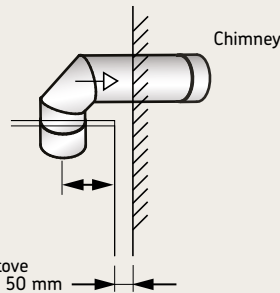
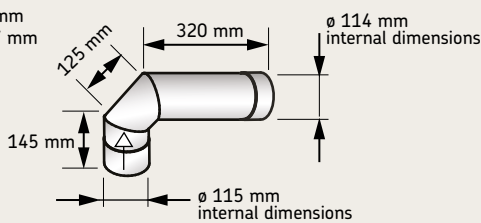


WZ45ML, painted steel 2,0 mm



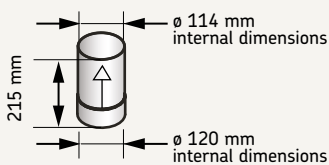
ANGLE PIPE 90°

WZ90M, painted steel 2,0 mm
 WZ90ST, stainless steel 0,7 mm



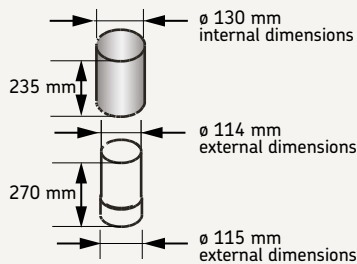
REDUCING PIPE 120/115

WZ115120, stainless steel 0,7 mm



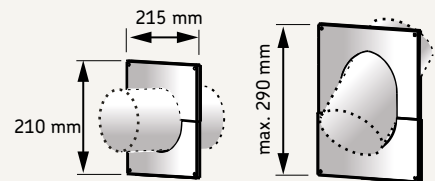
RADIATION COVER

WZ020130, stainless steel 0,7 mm



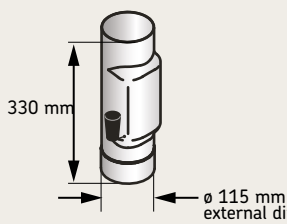
LEAD-THROUGH FLANGE

WZ020115, stainless steel 0,7 mm



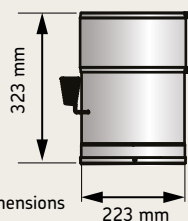
DAMPER PLATE

WZ115030SP, stainless steel 0,7 mm



DAMPER PLATE

WHP270SP, stainless steel
 WHP270SPM, black



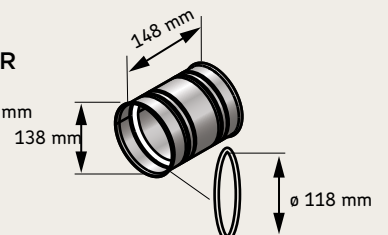
RAIN CAP

WZ030115, stainless steel 0,7 mm



MASONRY CONNECTOR

WZ011115, stainless steel 0,7 mm



The masonry connector is connected to the flue opening and does not require other seals – easy and clean. The inner side has a seal. The masonry connector can be used in the back and upper connection.



Protective sheaths and beddings

The durable, tested and safe Harvia protective sheaths significantly shorten the safety distances to combustible materials; in practice, this helps the heater fit into a smaller space. The settling of log walls does not prevent the use of a protective sheath. Together, a Harvia protective sheath and a CE marked Harvia heater form a tested functional whole.

Heater-specific protective sheaths

The protective sheath is attached to the heater and conforms to the shape of the heater, making the combination sleek. As the protective sheaths are heater model-specific, no compromises have been made in terms of design or performance.

Protective sheaths are available both as a full version and as one-sided sheaths that can be installed on either side of the heater. The protective sheaths are made from painted, aluminium-zinc-coated steel sheet. Protective sheaths can be installed horizontally as near as 50 millimetres away from combustible materials.

Protective bedding

The protective bedding is used when, for example, the fireplace or heater is installed onto a waterproofed tile floor.

Please note! The floor in front of the fireplace or heater must be covered with a floor protector.

PROTECTIVE SHEATHS	WOOD-BURNING HEATERS	A MIN.	B MIN.	C MIN.
WL400 / WL450	M3, M3SL	50	50	300
WL425 / WL475	Linear 16	30	30	400
WL525 / WL575	22 GreenFlame	70	70	500
WL525 / WL585	22 GreenFlame LS / RS	70	70	500
WL530 / WL580	22 GreenFlame ES	70	70	500
WL500 / WL550	Pro 20, Pro 20 SL, Pro 20 Duo, Pro 20 SL	62	62	422
WL500 / WL590	Pro 20 LS, Pro 20 RS	62	62	422
WL600 / WL650	Pro 20 ES	62	62	422
WL700 / WL750	Pro 26 Pro	73	73	526
WL 800 / WL 850	Pro 36, Pro 36 Duo	90	90	700
WL200	Legend 150/150 SL, 240/SL/Duo, 300/300 Duo	30	30	-
PROTECTIVE BEDDING				
WL100	M3, M3SL, Harvia Linear 16, Pro 20, Pro 20 SL/Duo, Pro 20ES, Pro 26, 22 Linear GreenFlame, 22 Linear GreenFlame ES, Legend 150/150 SL, Legend 240/SL/Duo, Legend 300/300 Duo, 50 L cauldron			
WL110	Pro 20 LS/RS, 22 GreenFlame LS/RS, Pro 36/Duo			



WL400 WL425 WL450 WL475



WL500 WL525 WL530 WL550 WL575 WL580 WL585 WL590



WL600 WL650 WL700 WL750 WL800 WL850



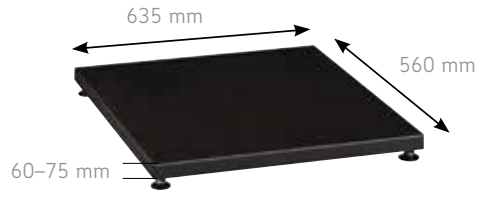
WL200



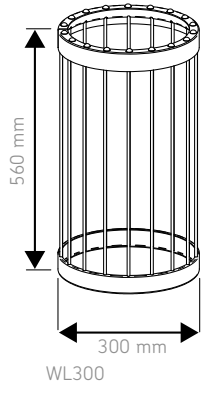
WL300



WL100

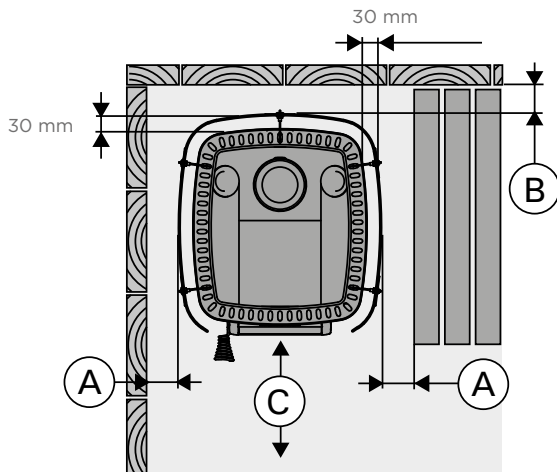


WL110

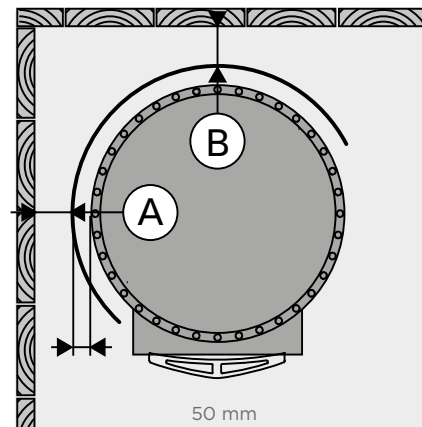


WL300

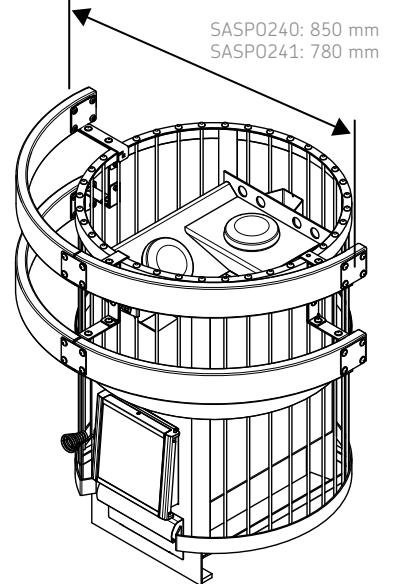
TRADITIONAL HEATERS



PILLAR HEATERS



LEGEND SAFETY RAILING





WATER HEATING AND COOKING

Heating clean water and cleansing yourself is an ancient tradition that is part of bathing in a wood-heated sauna. Carry in water from nearby and heat it in a traditional sauna cauldron to add ambience. How about making the most out of the holiday home feel by enjoying vegetables or fish you have smoked yourself after bathing in the sauna?

Traditional cottage atmosphere with a sauna cauldron

Harvia cauldrons are designed for heating larger amounts of water, mostly in cottage settings. They provide the atmosphere of a genuine Finnish old-time lakeside sauna. You can choose a traditional sauna cauldron from two different models based on your need for water, with a volume of either 50 or 80 litres. The durable, stainless steel inner cauldron can easily be lifted out for cleaning.

Harvia cauldron 50 litres

Thanks to the structure of the fire chamber of the 50-litre cauldron, the burning process is smooth and the heat is focused directly under the inner cauldron, heating up the water efficiently. The replaceable fire chamber makes the product long-lasting.

The outer casing of the Harvia cauldron 50 l is made of stainless steel.

Dimensions: width 435 mm, depth 500 mm, height 700 mm, weight 36 kg, smoke outlet diameter 115 mm

Harvia cauldron 80 litres

The traditional vermiculite insulation of the 80-litre cauldron keeps the outer surface of the cauldron cooler. The outer casing of the Harvia cauldron 80 l is painted black.

Dimensions: width 590 mm, depth 590 mm, height 810 mm, weight 85 kg, smoke outlet diameter 140 mm



HARVIA CAULDRON 50L
WP500



HARVIA CAULDRON 80L
WP800

A water heater for wood-heated heaters

Harvia pipe model water heater

The pipe model water heater (22 l) is installed directly on top of the heater. The water heats up quickly, as the smoke pipe running through the tank also acts as a wall inside it. Suitable for all wood-heated Harvia heaters, with the exception of Harvia 50.

Dimensions: width 355 mm, depth 190 mm, height 410 mm, smoke outlet diameter 115 mm



**HARVIA PIPE MODEL
WATER HEATER**
WP220ST

Harvia Thermio water heater, 25 litres

The stylish steel outer shell of the Thermio water heater suits any sauna. The Thermio water heater heats the water quickly, as the smoke pipe acts as a wall in the water tank. The tap solution is placed away from the hot water tank and the heater. The tap can be installed in three different ways onto the benches or the wall. This makes the tap safer to use, as there is no fear of hot water splashes.

Dimensions: width 360 mm, depth 280 mm, height 910 mm (water tank height 450 mm), weight 7 kg, smoke outlet diameter 115 mm



**THERMIO
WATER HEATER**
WP250TH

A safe tap solution

The tap is placed away from the hot water tank and the heater in the Legend and Thermio water heaters. A silicone hose measuring a few metres is attached to the bottom of the water tank, with a water tap at the other end.

The tap can be installed under the edge of the bench with a fixing bracket or embedded into the board at the edge of the bench. The tap can also be secured to the wall with a fixing bracket..



Harvia electric water heater

The Harvia electric water heater is mounted onto a wall. The easy-to-use and efficient water heater is designed for places where no hot tap water is available, such as summer cottage saunas and kitchens, public rest cabins, and hostels. The tank holds 27 litres. The water is heated by the heating element located at the bottom of the tank, which also makes the heater easy to clean. The temperature can be adjusted conveniently with the thermostat. Choose reliable and durable Harvia quality and treat yourself with warm washes and sauna experiences.

Dimensions: width 420 mm, depth 210 mm, height 400 mm



**ELECTRIC
WATER HEATER**
WP350ST

Harvia flare smoker

Its stylish appearance, durability and ease of use in particular make the Harvia flare smoker into a desired high-quality product. Ample amounts of stainless steel were used in its manufacture. All the grates are chrome-plated and can be washed normally. The flare smoker includes a heating plate, a drip pan, handles, grates for smoking and cooking food over an open fire and brackets for the grates. A steel outdoor griddle pan is available as an accessory.

You can cook almost anything with the Harvia flare smoker. You can purchase an outdoor griddle pan (available as an accessory) to cook fish, meat, crêpes and vegetables. The fire chamber makes it easy to cook baked potatoes, turnips and roasted meat, for example. Chicken and steaks cook quickly when you roast them over an open fire. Many delicious desserts can also be prepared with the flare smoker.

Dimensions: width 420 mm, height 700 mm, weight 17 kg



HARVIA FLARE SMOKER
WS100





SAUNA ACCESSORIES

Harvia sauna accessories complete your sauna decor and contribute to the ultimate sauna experience. Our extensive product range covers everything from high-quality sauna heater stones to water buckets, thermometers, hygrometers and fragrances.



Legend sauna accessories

The Legend sauna accessory selection includes a ladle, water bucket, thermometer, firewood rack and clothes hanger. The ladle, water bucket and firewood rack have wooden handles made of wood that does not get too hot in the heat of the sauna. The thermometer and clothes hanger are made out of heat-treated aspen and finished with black steel details. You can see the spirit of craftsmanship in all Legend sauna accessories.

Sauna accessories set

The Harvia sauna accessories set includes a stainless steel bucket and ladle and an easy-to-read thermo/hygrometer. The Harvia sauna accessories set goes with your sauna like water goes with the sauna stones – and puts a finishing touch on your stylish interior design scheme. Stainless steel withstands changes in humidity and temperature remarkably well, making it a long-lasting material for heavy-duty use. The handles are made of non-heating wood that is pleasant to take a hold of. The Harvia sauna set is also a great idea for a high-quality gift.

Bucket

The Harvia wooden buckets (4/7 l) and pail are high-quality work. The plastic inner part gives the product a longer life and makes cleaning easy.

Sauna ladle

A wooden sauna ladle can be treated with products suitable for the wood surfaces in the sauna, if desired. Ladle length: 36 / 48 cm. There is a loop at the end of the ladle for hanging the product. Allow the ladle to dry after every sauna bath.



Click water bucket and ladle

The clear design of the Harvia Click set of accessories suits also a modern sauna. The stylish black is paired beautifully with both matt and glossy surface details. The set includes a water bucket and ladle, made in Finland using recycled plastic. The ergonomic handle of the Harvia Click products is comfortable to hold on to. The sauna ladle can also be placed on top of the pail's handle for convenient storage. Made of plastic, it is light to handle and carry.



Set of black water bucket and ladle

The beautifully designed Harvia water bucket and ladle will complete your modern sauna interior. The water bucket volume is 4 liters.



Sauna fragrances

Harvia's fragrances create just the kind of atmosphere you want for the occasion. Maybe fresh peppermint or eucalyptus to clear the airways? Or would you like to create the atmosphere of a summer sauna at your cottage? If so, go for Finnish Midsummer birch, traditional tar or soothingly intoxicating pine forest.

Stool

The stool is made out of alder. You can use products intended for the wood materials in the sauna to treat the stool.



Sauna Care Set

By caring for your wood surfaces regularly you can extend the lifespan of your sauna. The Harvia Sauna Care Set is designed for treating the wood surfaces of the sauna and cleaning the sauna facilities. The set includes one bottle of cleanser for the sauna, paraffin oil, a sponge, protective gloves and sandpaper.



Harvia by Luhta textiles

Harvia by Luhta sauna textiles are made of high-quality waffle linen cotton that feels pleasant on the skin and gives the towels a modern, natural look. The textiles have excellent absorption capacity and dry up quickly after use. The simply stylish and timeless design completes your sauna experience, and it is nice to wrap a large towel around yourself after a relaxing sauna session.





Harvia sauna heater stones

Sauna heater stones are a key part of the sauna experience, but many people do not spare them any thought. The proper quality, size and placement of the stones have a considerable effect on heat retention and steam creation. Harvia sauna heater stones suit all sauna heaters. The high quality of Harvia stones is guaranteed by continuous quality assurance carried out in partnership with the Geological Survey of Finland. This is why our sauna heater stones are always safe, clean and ready for use – all over the world.

The rock material used for sauna heater stones is quarried and monitored carefully to meet the specific quality requirements. This ensures that the stones are safe to use at high temperatures and will not release any emissions. Harvia sauna heater stones are known to remain safe at extreme temperatures, also retaining heat very well to create maximum efficiency.

The sauna stones have been carefully picked and washed, so they are always of the highest quality, and are easy to change. In accordance with sustainability principles, any stones that do not meet the quality requirements will be used for construction and other industries.

Annual change of sauna stones:

- extends the service life of the heater
- saves energy
- keeps the sauna clean
- guarantees the best sauna experience



Sauna heater stones

Olivine diabase – traditional sauna heater stone

Durable in structure and high in specific gravity, olivine diabase retains and dissipates heat well, offering an excellent steam bath.

AC3000 Ø 5–10 cm, 20 kg/box

AC3020 Ø 10–15 cm, 20 kg/box

Elite Pro Heavy Duty

Elite Pro Heavy Duty sauna heater stones are made from the finest Finnish olivine diabase and heat-treated at approximately 1,000 °C, resulting in a long service life and making them an excellent choice for frequently heated public saunas.

AC3050 Ø 5–10 cm, 20 kg/box

AC3055 Ø 10–15 cm, 20 kg/box

Black vulcanite

These dark sauna heater stones are made of fine-grained, dark grey volcanic rock. When wet, they turn black, adding a unique touch to the look of the sauna.

AC3040 Ø 5–10 cm, 20 kg/box

AC3045 Ø 10–15 cm, 20 kg/box

Rounded sauna heater stones

The rounded olivine diabase sauna heater stones resemble round natural stones that can be found for example in larger rapids, adding an impressive finish to the surface layer of the sauna heater. If you have a heater with a small stone space, whether it is an electric heater or woodburning stove, we recommend round stones on top of split-face stones, as this increases the evaporation surface lower down in the stone space. This prevents the water from flowing directly past the stone space. This combination enables a pleasant steam and efficient heat generation.

R-991 Ø 5–10 cm, 15 kg/box

R-995 Ø 10–15 cm, 20 kg/box

Decorative stones

Red Granite decorative stone for atmosphere

Red granite is an impressive decorative stone that ensures a soft steam bath and a warm atmosphere in the sauna.

AC5000Ø 5–10 cm, 10 kg/box

White decorative stones to crown the sauna heater

White decorative stones ensure a soft steam bath and add a fresh and clean touch to the sauna.

AC4000 Ø 5–10 cm, 10 kg/box

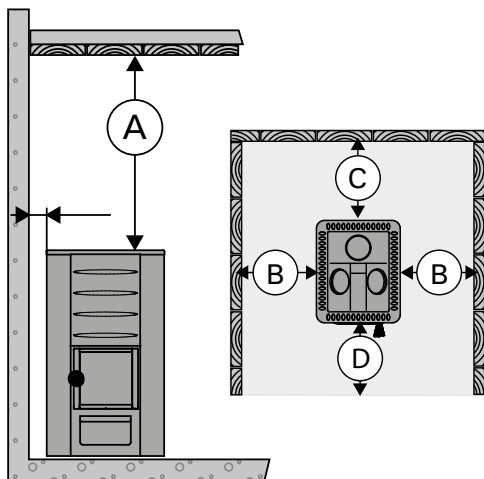


TECHNICAL INFORMATION

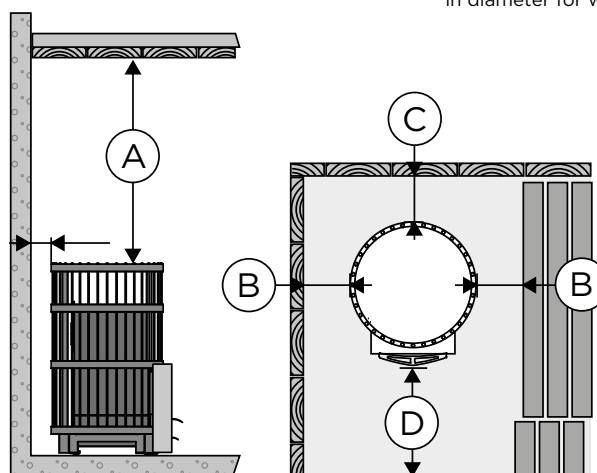
Heater model	Recommended sauna room size min-max. m ³	Dimensions (W x D x H) mm	Height adjustable approx. mm	Weight kg	Stone compartment max. kg *)	Fire chamber cover mm
M3	6-13	390 x 430 x 710	0	45	30	5
Linear 16	6-13	420 x 450 x 735	0	46	36	5
Pro 20	8-20	430 x 510 x 760	30	60	40	10
Pro 20 ES	8-20	430 x 650 x 760	30	75	40	10
Pro 20 LS / RS	8-20	580 x 510 x 760	30	65	40	10
22 Linear GreenFlame	9-18	450 x 510 x 770	30	73	40	10
22 Linear ES GreenFlame	9-18	450 x 660 x 770	30	83	40	10
22 Linear LS/RS GreenFlame	9-18	550 x 510 x 770	30	78	40	10
Pro 26	10-26	430 x 510 x 810	30	65	50	6
Pro 36	14-36	510 x 510 x 810	30	70	60	6
Harvia 50	20-50	510 x 720 x 1050	30	160	120	10
Legend 150	6-13	530 x 530 x 740	30	58	120	5
Legend 240 GreenFlame	10-20	600 x 600 x 830	30	82	200	10
Legend 300	14-28	600 x 660 x 1040	30	94	260	6

Heater model	Recommended sauna room size min-max. m ³	Dimensions (W x D x H) mm	Height adjustable approx. mm	Weight kg	Stone compartment max. kg *)	Fire chamber cover mm
M3 SL	6-13	390 x (430 + 220) x 710	30	50	30	5
Pro 20 SL	8-20	430 x (510 + 220) x 760	30	70	40	10
Pro 20 Duo	8-20	430 x (510 + 280) x 760	30	80	40	10
Pro 36 Duo	14-36	510 x (510 + 280) x 810	30	80	60	6
Legend 150 SL	6-13	530 x (530 + 200) x 740	30	62	120	5
Legend 240 SL	10-24	600 x (600 + 180) x 830	30	82	200	10
Legend 240 Duo	10-24	600 x (600 + 180) x 830	30	95	200	10
Legend 300 Duo	15-30	600 x (660 + 120) x 1040	30	99	260	6

Traditional heaters



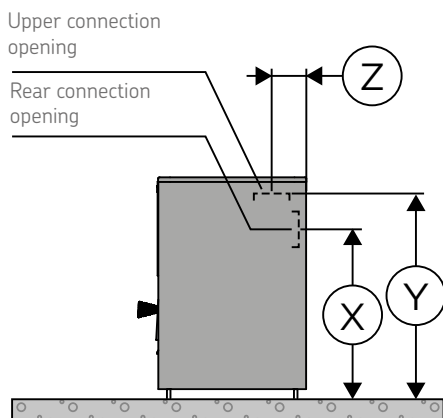
Pillar heaters



*) The amount of stones the stone compartment can hold varies depending on the consistency and shape of the stones as well as how they are arranged. Harvia recommends stones measuring 10-15 cm in diameter for wood-heated heaters.

Safety distances to combustible materials, mm				Smoke outlet diameter, mm	Smoke outlet location, mm			Protective sheath model	Protective bedding model
A min	B min	C min	D min		X	Y	Z		
1300	300	300	300	115	560	640	120	WL400/WL450	WL100
1300	300	350	400	115	560	635	130	WL425/WL475	WL100
1300	300	300	300	115	560	670	120	WL500/WL550	WL100
1300	300	300	300	115	560	670	120	WL600/WL650	WL100
1300	300	300	300	115	560	670	120	WL500/WL590	WL110
1265	400	380	500	115	558	708	136	WL525/WL575	WL100
1265	400	380	500	115	558	708	136	WL530/WL580	WL100
1265	400	380	500	115	558	708	136	WL525/WL585	WL110
1280	375	375	375	115	690	750	130	WL700/WL750	WL100
1250	500	500	500	115	680	750	130	WL800/WL850	WL110
1250	500	500	500	140	890	1090	130		
1000	200	250	500	115	560	640	180 ± 5	WL200	WL100
1200	200	250	630	115	560	670	200 ± 5	WL200	WL100
1000	200	250	680	115	690	750	210 ± 5	WL200	WL100
Safety distances to combustible materials, mm				Smoke outlet diameter, mm	Installation hole size mm		Wall thickness max. mm	Protective sheath model	Protective bedding model
A min	B min	C min	D min		Width	Height			
1300	300	300	300	115	210	390	150	WL400/WL450	WL100
1300	300	300	300	115	210	390	150	WL500/WL550	WL100
1300	300	300	300	115	405	485	150	WL500/WL550	WL100
1250	500	500	500	115	405	485	150	WL800/WL850	WL110
1000	200	250	500	115	210	390	150	WL200	WL100
1000	200	250	630	115	210	390	150	WL200	WL100
1000	200	250	630	115	405	485	120	WL200	WL100
1000	200	250	700	115	405	485	120	WL200	WL100

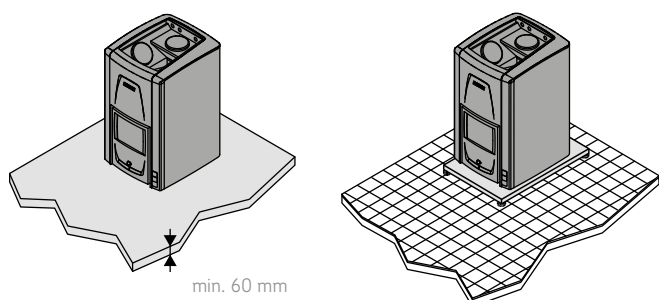
Connection openings



Protecting the floor

Concrete floor without tiles. The heater can be installed directly on a concrete floor if the concrete is at least 60 mm thick. Make sure that there are no wires or water pipes in the concrete cast below the heater.

Tile floor. The floor glues and plasters as well as the waterproof materials used below the tiles are not resistant to the heat radiation from the heater. Protect the floor with Harvia's protective bedding or other similar protection from heat radiation.





HARVIA

Sauna & Spa

The largest manufacturer of sauna heaters in the world has the right heater for every sauna.



@ harviaglobal