

Chair system entirely padded and upholstered in all the Quinti colors Swatch card and completely hand-made in Italy.

Fixed tub chair of Quinti collection entirely made of moulded polyurethane foam.  
Available in two different versions:

- folding closed sides
- closed sides and writing table

All joint are made of die cast aluminium

The backrest is entirely made of foamed metal, and in the upper part some elastics are applied which make the posture comfortable and cosy.

The chair is composed of 2 sides, backrest and seat, easily releasable. The chair stands on feet even when it is closed.

The chair is equipped with feet, the castors/feet/feet with suckers version is provided.

#### **Seat & backrest**

Seat and backrest are entirely made of moulded foam.

Also available the soft upholstered version with memory foam sit.



#### **Optional**

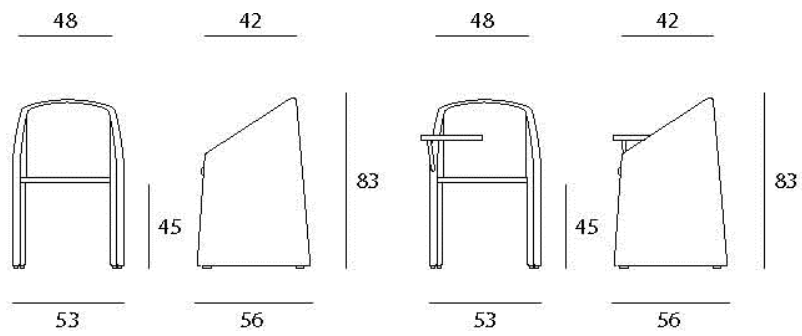
- 1520G Metal-plate for alignment.
- 1520GT Metal-plate for alignment with writing table.
- 15205C Trolley for chairs 5PZ.
- 1520C/C Fixed feet with suckers.



#### **DIMENSIONS**

HYWAY PozzettoFull Orlandini Design

# Quinti®



**UPHOLSTERY**

---

**BIO-EXPO  
CATEGORY 2**

300 gr/mt2  
100% Propitex FR bacteriostatic  
Class 1 UNI EN ISO 354:2003  
100.000 +/- 10% cycles Martindale

**EXTREME  
CATEGORY 2**

350 gr/mtl  
100% Xtreme FR  
Class 1, EN 1021-1/2  
100.000 +/- 10% cycles Martindale

**LASER  
CATEGORY 2**

560 gr/mtl  
100% Polyester FR  
Class 1  
80.000 +/- 10% cycles Martindale

**ECOPELLE  
CATEGORY 2**

630 gr/mt2  
83% PVC, 17% Synthetic  
ISO 379-DIN75200-CSERF4/83 10%  
cycles Martindale

**ERA  
CATEGORY 3**

448 gr/mtl  
100% Trevira CS  
Class 1 UNI EN ISO 354:2003  
100.000 +/- 10% cycles Martindale

**LASER PLUS  
CATEGORY 3**

630 gr/mtl  
100% Polyester FR Trevira  
Classe1, 4.000 +/- cycles Martindale

**ECOPELLE SOUL  
CATEGORY 3**

760 gr/mt2  
Superficies 100% POLIURETANO,  
Base Polyester 85%,17% Cotton  
EN1021-1/BS5852 PART 1  
>100.000 EN ISO 5470-2

**MELANGE  
CATEGORY 3**

390 g/lin.m  
100% Trevira CS  
Class 1  
80.000 +/- 10% cycles Martindale

**JET  
CATEGORY 3**

365 +/- 5% g/lin.m  
100% Polyester FR  
Class 1  
80.000 +/- 10% cycles Martindale

**ECOPELLE SISTEMA PRO  
CATEGORY 3**

710 gr/mt2  
Surface 93% PVC  
Base Polyester 28%  
CLASSE1  
100.000 CICLI

**ECOPELLE VITAX  
CATEGORY 3**

850 gr/mt2  
Surface 98% PVC 2% PU  
Base cotton 100%  
CLASSE 1  
100.000 CICLI

**ONE RECICLE  
CATEGORY 3**

525 gr/mt2  
100% recycled polyester  
Base cotton 100%  
CLASSE 1IM  
100.000 CICLI

**LANA  
CATEGORY 5**

500 gr/mt2  
75% Lana, 25% polyamide  
Class 1  
100.000 cycles Martindale

**PELLE  
CATEGORY 5/6**

620 g/lin.m  
100% Cow leather  
Class 1, EN 1021-1/2

**PIED POULE  
CATEGORY 6**

550 g/lin.m  
66% cotton, 34% Polyester  
35.000 % cycles Martindale

**EUROPOST 2  
CATEGORY 6**

710 g/lin.m  
63% PU, 16% CO, 21% PL  
Ini1975 CLASS1emme,UNI9175/FA  
50.000% cycles Martindale

**PREMIUM /ELEGANCE  
CATEGORY 7**

100% First quality cow leather  
Thickness 1,2/1,4 mm  
EN1021-1/2

**STEELCUT TRIO  
CATEGORY 7**

770 g/lin.m  
90% New wool worsted, 10% Nylon  
Class 1, EN 1021-1/2  
100.000 % cycles Martindale

**REMIX  
CATEGORY 7**

415 g/lin.m  
90% New wool worsted, 10% Nylon  
Class 1, EN 1021-1/2  
100.000 % cycles Martindale

**VELLUTO DECONTRACTE'  
CATEGORY 7**

590 g/lin.m  
19% CO, 61% PC,10% PL, 10%VI  
40.000 % cycles Martindale

**MERIT  
CATEGORY 7**

500g/lin.m  
76% Polyester Recycled  
24% Polyester  
EN 1021-1/2  
85.000 % cycles Martindale

**VELLUTO  
CATEGORY 8**

600 g/lin.m  
100.000 % PL Flame retardant

**PELLE SOFT  
CATEGORY 8**

100% Cow leather Thickness,8-2 mm  
Aniline treatment – First quality  
EN1021-1/2

## USAGE AND CARE

---

For a proper maintenance of the products and to maintain unchanged the characteristics of the materials, we recommend to follow some very simple care instructions.

### FABRICS

Cleaning: check the dedicated selection written on the color Swatch card. Usage: it is recommended to pay attention to the fabrics as they can be easily cut or ripped.

### LEATHERS

Cleaning: clean with a white wet cloth with water. We recommend to use high quality products for the cleaning of the leather and to follow carefully the instructions of the manufacturer. In doubt, try out the product on a hidden part and wait at least 24 hours for the occurrence of any problems. Usage: remember that the leather is a delicate material therefore, it is recommended to pay particular attention while using.

### WOODS

Cleaning: clean with a soft and wet cloth with warm water. We always recommend to dry immediately after the cleaning process. All liquids or other residue must be removed in order to avoid the absorption. Usage: wooden surfaces, being a natural material, could be affected by an alteration of the color shade during time and use. We also remind that wooden surfaces cannot bear with high temperatures if placed directly on the wooden top.

### METALS

Cleaning: both steel or aluminum surfaces, and painted ones, must be cleaned with a soft and wet cloth with hot water. For the most persistent stains, a small amount of liquid soap diluted in water may be used. We always recommend to dry immediately with a soft cloth or a leather one after the cleaning process. Never using cleaning products for steel, chlorine, bleach or other strong detergents. It is not recommended to use abrasive creams, score pads and abrasive sponges that can scratch the metal surfaces. Usage: pay attention to the stains of food such as coffee, coke, fruit juices that can leave indelible marks on the surface.

### WARRANTY

QUINTI guarantees the products will maintain their properties for 6 years from delivery, except normal usury and provided that they will be used according to the guidelines given. QUINTI will replace, free of charge, any product found non-compliant with this warranty, without incurring any other liability of sort. Components, external accessories or materials supplied by the buyer and applied to the products in order to customize them will not be supported by the guarantee. For an optimal maintenance of the products and to keep unchanged the characteristics of the materials with which they are made, some simple attentions are necessary.