

CHARLES

Quinti®

CHARLES Elegant and representative managerial armchair in the original version with wooden backrest.

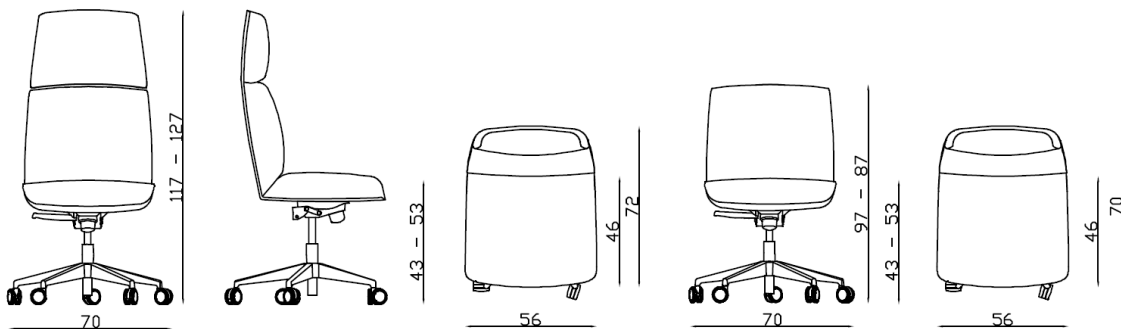
1



2



DIMENSIONS



STRUCTURE

CHARLES with high backrest has an aluminum Bock base, composed of 5 rays with castors and black aluminum oscillating M5 mechanism with only one locking position, in free oscillation and working position.

Optional

- Mechanism M3 _ advanced oscillating, made of polished aluminum, which allows free oscillation or 4 locking positions.

CHARLES with low backrest it is available in two versions:

1- with aluminum Bock base with 5 rays on castors and black aluminum oscillating mechanism M5 with only one locking position in working position and free oscillation.

Optional

- Mechanism M3 _ advanced oscillating, made of polished aluminum, allows free oscillation or 4 locking positions.
- Mechanism M8 _ revolving fixed plate with elevation

2- with aluminum Bock base with 4 rays on feet or castors, and harmonious mechanism M10 without elevation.



CHARLES

Quinti®

STRUCTURE & STUFFING

The Charles seat is composed of 3 elements, entirely created with cold foamed polyurethane rubber, with 55 gr/lit density, and significant thicknesses from 4 to 9 cm. It is available with the backrest upholstered in ZINGANA wood.



It is available also with flame-retardant rubbers, 1IM certified

ACCESSORIES

Stable armrests made of black polypropylene with upholstered pad.

UPHOLSTERY

BIO-EXPO CATEGORY 2

300 gr/mt2
100% Propitex FR bacteriostatic
Class 1UNI EN ISO 354:2003
100.000 +/- 10% cycles Martindale

EXTREME CATEGORY 2

350 gr/mtl
100% Xtreme FR
Class 1 , EN 1021-1/2
100.000 +/- 10% cycles Martindale

LASER CATEGORY 2

560 gr/mtl
100% Polyester FR
Class 1
80.000+/- 10% cycles Martindale

ECOPELLE CATEGORY 2

630 gr/mt2
83% PVC, 17% Synthetic
ISO 379-DIN75200-CSERF4/83 10%
cycles Martindale

ERA CATEGORY 3

448 gr/mtl
100% Trevira CS
Class 1UNI EN ISO 354:2003
100.000 +/- 10% cycles Martindale

LASER PLUS CATEGORY 3

630 gr/mtl
100% Polyester FR Trevira
Classe1 , 4.000 +/- cycles Martindale

ECOPELLE SOUL CATEGORY 3

760 gr/mt2
Superficies 100% POLIURETANO,
Base Polyester 85%,17% Cotton
EN1021-1/BS5852 PART 1
>100.000 EN ISO 5470-2

MELANGE CATEGORY 3

390 g/lin.m
100% Trevira CS
Class 1
80.000 +/- 10% cycles Martindale

JET CATEGORY 3

365+/- 5% g/lin.m
100% Polyester FR
Class 1
80.000+/- 10% cycles Martindale

ECOPELLE SISTEMA PRO CATEGORY 3

710 gr/mt2
Surface 93% PVC
Base Polyester 28%
CLASSE1
100.000 CICLI

ECOPELLE VITAX CATEGORY 3

850 gr/mt2
Surface 98% PVC 2% PU
Base cotton 100%
CLASSE 1
100.000 CICLI

ONE RECICLE CATEGORY 3

525 gr/mt2
100% recycled polyester
Base cotton 100%
CLASSE 1M
100.000 CICLI

LANA CATEGORY 5

500 gr/mt2
75% Lana, 25% polyamide
Class 1
100.000 cycles Martindale

PELLE CATEGORY 5/6

620 g/lin.m
100% Cow leather
Class 1, EN 1021-1/2

PIED POULE CATEGORY 6

550 g/lin.m
66% cotton, 34% Polyester
35.000 % cycles Martindale

EUROPOST 2 CATEGORY 6

710 g/lin.m
63% PU, 16% CO, 21% PL
Ini1975 CLASS1emme,UNI9175/FA
50.000% cycles Martindale

PREMIUM /ELEGANCE CATEGORY 7

100% First quality cow leather
Thickness 1,2/1,4 mm
EN1021-1/2

STEELCUT TRIO CATEGORY 7

770 g/lin.m
90% New wool worsted, 10% Nylon
Class 1, EN 1021-1/2
100.000 % cycles Martindale

REMIX CATEGORY 7

415 g/lin.m
90% New wool worsted, 10% Nylon
Class 1, EN 1021-1/2
100.000 % cycles Martindale

VELLUTO DECONTRACTE' CATEGORY 7

590 g/lin.m
19% CO, 61% PC,10% PL, 10%VI
40.000 % cycles Martindale

MERIT CATEGORY 7

500g/lin.m
76% Polyester Recycled
24% Polyester
EN 1021-1/2
85.000 % cycles Martindale

VELLUTO CATEGORY 8

600 g/lin.m
100.000 % PL Flame retardant

PELLE SOFT CATEGORY 8

100% Cow leather Thickness,8-2 mm
Aniline treatment – First quality
EN1021-1/2

For a proper maintenance of the products and to maintain unchanged the characteristics of the materials, we recommend to follow some very simple care instructions.

FABRICS

Cleaning: check the dedicated selection written on the color Swatch card. Usage: it is recommended to pay attention to the fabrics as they can be easily cut or ripped.

LEATHERS

Cleaning: clean with a white wet cloth with water. We recommend to use high quality products for the cleaning of the leather and to follow carefully the instructions of the manufacturer. In doubt, try out the product on a hidden part and wait at least 24 hours for the occurrence of any problems. Usage: remember that the leather is a delicate material therefore, it is recommended to pay particular attention while using.

WOODS

Cleaning: clean with a soft and wet cloth with warm water. We always recommend to dry immediately after the cleaning process. All liquids or other residue must be removed in order to avoid the absorption. Usage: wooden surfaces, being a natural material, could be affected by an alteration of the color shade during time and use. We also remind that wooden surfaces cannot bear with high temperatures if placed directly on the wooden top.

METALS

Cleaning: both steel or aluminum surfaces, and painted ones, must be cleaned with a soft and wet cloth with hot water. For the most persistent stains, a small amount of liquid soap diluted in water may be used. We always recommend to dry immediately with a soft cloth or a leather one after the cleaning process. Never using cleaning products for steel, chlorine, bleach or other strong detergents. It is not recommended to use abrasive creams, score pads and abrasive sponges that can scratch the metal surfaces. Usage: pay attention to the stains of food such as coffee, coke, fruit juices that can leave indelible marks on the surface.

WARRANTY

QUINTI guarantees the products will maintain their properties for 6 years from delivery, except normal usury and provided that they will be used according to the guidelines given. QUINTI will replace, free of charge, any product found non-compliant with this warranty, without incurring any other liability of sort. Components, external accessories or materials supplied by the buyer and applied to the products in order to customize them will not be supported by the guarantee. For an optimal maintenance of the products and to keep unchanged the characteristics of the materials with which they are made, some simple attentions are necessary.