

HYWAY Pozzetto Open Orlandini Design

Quinti®

Chair system entirely padded and upholstered in all the Quinti colors Swatch card and completely hand-made in Italy.



Fixed tub chair of Quinti collection entirely made of moulded polyurethane foam.

Available in two versions:

- folding open sides
- open sides and writing table

All joints are made of die cast aluminium.

The backrest is entirely made of foamed metal, and in the upper part some elastics are applied which make the posture comfortable and cosy.

The chair is composed of 2 sides, backrest and seat, easily releasable. The chair stands on feet even when it is closed.

The chair is equipped with feet, the castors/feet/feet with suckers version is provided.

Seat & backrest

Seat and backrest are entirely made of moulded foam.

Also available the upholstered soft version with memory foam sit.



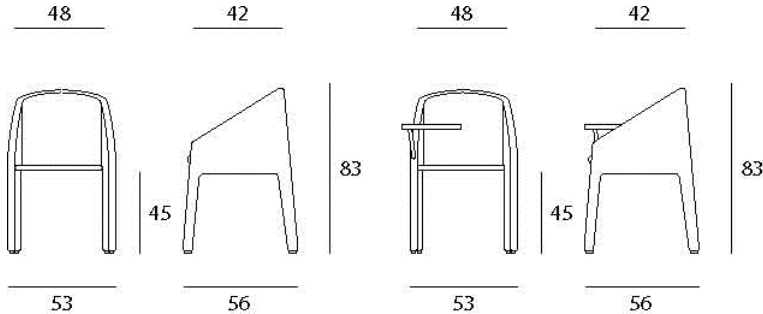
Optional

1520G Metal-plate for alignment.
1520GT Metal-plate for alignment with writing table.
15205C Trolley for chairs 5PZ.
1520C/C Fixed feet with suckers..



DIMENSIONS

HYWAY Pozzetto Open Orlandini Design



COATINGS

BIO-EXPO

CATEGORY 2

300 gr/mt2
100% Propitex FR batteriosattico
Classe 1UNI EN ISO 354:2003
100.000 +/- 10% cicli Maltindale

EXTREME

CATEGORIA 2

350 gr/mtl
100% Xtreme FR
Classe , EN 1021-1/2
100.000 +/- 10% cicli Maltindale

LASER

CATEGORY 2

560 gr/mtl
100% Poliestere FR
Classe 1
80.000+/- 10% cicli Maltindale

ECOPELLE

CATEGORY 2

630 gr/mt2
83% PVC, 17% Syntetic
ISO 379-DIN75200-CSERF4/83 10%
cicli Maltindale

ERA

CATEGORY 3

448 gr/mtl
100% Trevira CS
Classe 1UNI EN ISO 354:2003
100.000 +/- 10% cicli Maltindale

LASER PLUS

CATEGORY 3

630 gr/mtl
100% Poliestere FR Trevira
Classe1 , 4.000 +/- cicli Maltindale

ECOPELLE SOUL

CATEGORY 3

760 gr/mt2
Superficie 100% POLIURETANO,
Base Poliestere 85%,17% Cotone
EN1021-1/BS5852 PART 1
>100.000 EN ISO 5470-2

MELANGE

CATEGORY 3

390 g/lin.m
100% Trevira CS
Classe 1
80.000 +/- 10% cicli Maltindale

JET

CATEGORY 3

365+/- 5% g/lin.m
100% Poliestere FR
Classe 1
80.000+/- 10% cicli Maltindale

ECOPELLE SISTEMA PRO

CATEGORIA 3

710 gr/mt2
Superficie 93% PVC
Base Poliestere 28%
CLASSE1
100.000 CICLI

LANA

CATEGORY 5

500 gr/mt2
75% Lana, 25% poliammide
Classe 1
100.000 cicli Maltindale

PELLE

CATEGORY 5/6

620 g/lin.m
100% Pelle bovina
Classe 1, EN 1021-1/2

PIED POULE

CATEGORY 6

550 g/lin.m
66% cotone, 34% Poliestere
35.000 % cicli Maltindale

EUROPOST 2

CATEGORY 6

710 g/lin.m
63% PU, 16% CO, 21% PL
Ini1975 CLASSE1emme,UNI9175/FA
50.000% cicli Maltindale

MERIT

CATEGORY 7

500g/lin.m
76% Poliestere Recycled
24% Poliestere
EN 1021-1/2
85.000 % cicli Maltindale

PREMIUM /ELEGANCE

CATEGORY 7

100% Pelle bovina Primo fiore
Spessore 1,2/1,4 mm
EN1021-1/2

STEELCUT TRIO

CATEGORY 7

770 g/lin.m
90% New woolworsted, 10% Nylon
Classe 1, EN 1021-1/2
100.000 % cicli Maltindale

REMIX

CATEGORY 7

415 g/lin.m
90% New woolworsted, 10% Nylon
Classe 1, EN 1021-1/2
100.000 % cicli Maltindale

VELLUTO DECONTRACTE'

CATEGORY 7

590 g/lin.m
19% CO, 61% PC,10% PL, 10%VI
40.000 % cicli Maltindale

VELLUTO

CATEGORY 8

600 g/lin.m
100.000 % PL Flameretardant

PELLE SOFT

CATEGORY 8

100% Pelle bovina SPESSORE1,8-2 mm
Primo fiore CONCIA ALL'ANILINA
EN1021-1/2

USAGE AND CARE

For a proper maintenance of the products and to maintain unchanged the characteristics of the materials, we recommend to follow some very simple care instructions.

FABRICS

Cleaning: check the dedicated selection written on the color Swatch card. Usage: it is recommended to pay attention to the fabrics as they can be easily cut or ripped.

LEATHERS

Cleaning: clean with a wet white cloth with water. We recommend to use high quality products for the cleaning of the leather and to follow carefully the instructions of the manufacturer. In doubt, try out the product on a hidden part and wait at least 24 hours for the occurrence of any problems. Usage: remember that the leather is a delicate material therefore it is recommended to pay particular attention while using.

WOODS

Cleaning: clean with a soft and wet cloth with warm water. We always recommend to dry immediately after the cleaning process. All liquids or other residue must be removed in order to avoid the absorption. Usage: wooden surfaces, being a natural material, could be affected by an alteration of the color shade during time and use. We also remind that wooden surfaces cannot bear with high temperatures if placed directly on the wooden top.

METALS

Cleaning: both steel or aluminium surfaces, and painted ones, must be cleaned with a soft and wet cloth with hot water. For the most persistent stains, a small amount of liquid soap diluted in water may be used. We always recommend to dry immediately with a soft cloth or a leather one after the cleaning process. Never using cleaning products for steel, chlorine, bleach or other strong detergents. It is not recommended to use abrasive creams, score pads and abrasive sponges that can scratch the metal surfaces. Usage: pay attention to the stains of food such as coffee, coke, fruit juices that can leave indelible marks on the surface.

WARRANTY

QUINTI guarantees the products will maintain their properties for 6 years from delivery, except normal usury and provided that they will be used according to the guidelines given. QUINTI will replace, free of charge, any product found non-compliant with this warranty, without incurring any other liability of sort. Components, external accessories or materials supplied by the buyer and applied to the products in order to customize them will not be supported by the guarantee. For an optimal maintenance of the products and to keep unchanged the characteristics of the materials with which they are made, some simple attentions are necessary.