

Quinti®

FULLY TABLE. The table collection is a concentrate of style, essentiality and versatility. The discreetly designed structures, refinement of the tops and the originality of the finishes make these tables ideal for both the home and contract.



Quinti®

Table made of metal. The structure is composed of 2 elements, from bottom to top:

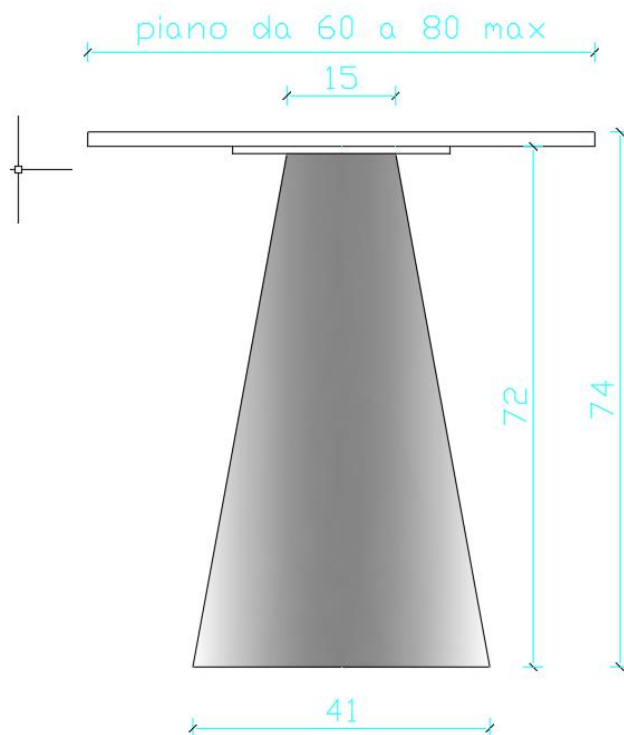
1. The conical trunk base made of moulded metal, has a base diameter of 41 cm and a head diameter of 15 cm with a height of 72 cm. The base is equipped with N.6 feet adjustable in height.
2. The upper cruise for fixing the top with screws is made of cast iron.



The fastening of the elements to each other is by means of a threaded bar and the relative nuts, passing inside all the elements and with the tightening of the respective nuts, are paired all the components to each other.

The structure allows housing the floors of the various sizes from a minimum of 60 to a minimum of 80 cm. The table has a weight of about 15 kg, considering a melamine top.

DIMENSIONI



FINITURE

The table structure is painted with epoxy powders, and the following coatings are possible:

- A) Black painted structure
- B) Structure painted in Multicolor Quinti colours

Quinti®

USAGE AND CARE

For an optimal maintenance of the products and to maintain unchanged the characteristics of the materials with which they are made, some simple attentions are necessary.

FABRICS

Cleaning: check the dedicated selection written on the color Swatch card. Usage: it is recommended to pay attention to the fabrics as they can be easily cut or ripped.

LEATHERS

Cleaning: clean with a white wet cloth with water. We recommend using high quality products for the cleaning of the leather to follow carefully the instructions of the manufacturer. In doubt, try out the product on a hidden part and wait at least 24 hours for the occurrence of any problems. Usage: remember that the leather is a delicate material therefore, it is recommended to pay particular attention while using.

WOODS

Cleaning: clean with a soft and wet cloth with warm water. We always recommend drying immediately after the cleaning process. All liquids or other residue must be removed in order to avoid the absorption. Usage: wooden surfaces, being a natural material, could be affected by an alteration of the color shade during time and use. We also remind that wooden surfaces cannot bear with high temperatures if placed directly on the wooden top.

METALS

Cleaning: both steel or aluminum surfaces, and painted ones, must be cleaned with a soft and wet cloth with hot water. For the most persistent stains, a small amount of liquid soap diluted in water may be used. We always recommend drying immediately with a soft cloth or a leather one after the cleaning process. Never using cleaning products for steel, chlorine, bleach or other strong detergents. It is not recommended to use abrasive creams, score pads and abrasive sponges that can scratch the metal surfaces. Usage: pay attention to the stains of food such as coffee, coke, fruit juices that can leave indelible marks on the surface.

WARRANTY

QUINTI guarantees the products will maintain their properties for 6 years from delivery, except normal usury and provided that they will be used according to the guidelines given. QUINTI will replace, free of charge, any product found non-compliant with this warranty, without incurring any other liability of sort. Components, external accessories or material supplied by the buyer and applied to the products in order to customize them will not be supported by the guarantee. For an optimal maintenance of the products and to keep unchanged the characteristics of the materials with which they are made, some simple attentions are necessary.