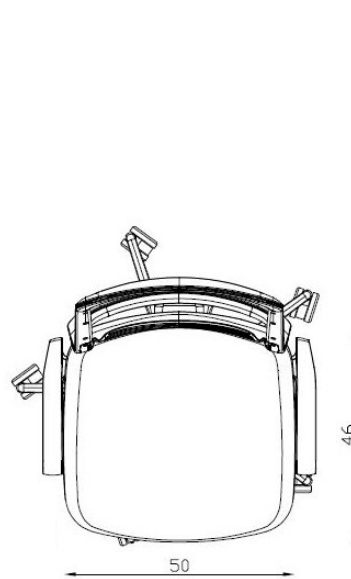
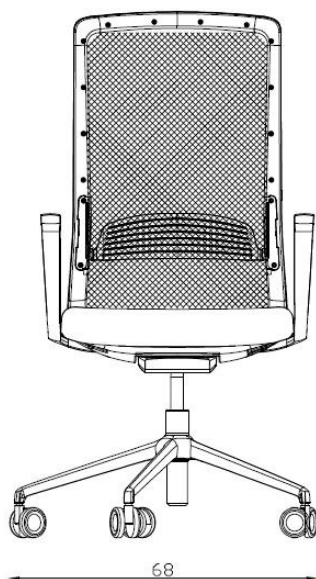


THAT'S IT SOFT

Quinti®

Advanced managerial armchair made entirely of die-cast aluminum with upholstered backrest. This new model combines a light but sturdy design and an unmistakable hi-tech look. The aluminum structure is combined with a comfortable upholstered backrest, ideal for executive environments.



THAT'S IT SOFT

SEAT & BACKREST

The aluminium structure can be painted in black, white, dove gray and bronze too.

The backrest is made with a chromed or painted aluminium frame that supports a rubber which can be upholstered with all our fabrics.

The fully upholstered seat, sewn with double lateral stitching, is made of 5 cm thick cold-foamed polyurethane.

The front anatomical shape has an anti-stress function for the legs.

The seat is always equipped with a removable slide.



ARMRESTS

1. Fixes armrests in die-cast aluminium
2. Fixes armrests in die-cast aluminium with pad
3. Adjustable armrests (3D) in black polypropylene with Pad in soft polyurethane with aluminium profile



THAT'S IT SOFT

MECHANISMS

That's it features a dedicated heavy-duty Synchron mechanism integrated with the underseat.

Seat height adjustment and synchronized backrest / seat inclination adjustment equipped with anti-shock system that can be locked in 5 positions. Seat sliding device.

All controls are integrated under the seat with small levers.

The gas column complies with DIN 4550 and exceeds the 4th level

BASE

The base to be associated is usually of two types:

"LEGGERA" with 5 spokes on polished aluminum wheels [d. 680mm]

"LEGGERA" with 4 spokes on polished aluminum wheels [d. 680mm]

Standard wheels in black nylon with double tread with a diameter of 65 mm.

Optional with the same 11mm diameter fixing pin:

- Rubber wheels, black (R06) or gray with chrome casing (R07),
- Black rubber and self-braking wheels (R06A),
- Rubberized "polo" wheels with central hole
- Feet in black nylon (R08)

CERTIFICATES

1. EN1335-A
2. OMOLOGAZIONE 1IM
3. CAM

UPHOLSTERY

BIO-EXPO CATEGORY 2

300 gr/mt2
100% Propitex FR bacteriostatic
Class 1UNI EN ISO 354 :2003
100.000 +/- 10% cycles Martindale

LASER CATEGORY 2

560 gr/mtl
100% Polyester FR
Class 1
80.000+/- 10% cycles Martindale

ECOPELLE CATEGORY 2

630 gr/mt2
83% PVC, 17% Synthetic
ISO 379-DIN75200-CSERF4/83 10%
cycles Martindale

ERA CATEGORY 3

448 gr/mtl
100% Trevira CS
Class 1UNI EN ISO 354 :2003
100.000 +/- 10% cycles Martindale

LASER PLUS CATEGORY 3

630 gr/mtl
100% Polyester FR Trevira
Class1, 4.000 +/- cycles Martindale

ECOPELLE SOUL CATEGORY 3

760 gr/mt2
Superficies 100% POLYURETHANE,
Base Polyester 85%, 17% Cotton
EN1021-1/BS5852 PART 1
>100.000 EN ISO 5470-2

MELANGE CATEGORY 3

390 g/lin.m
100% Trevira CS
Class 1
80.000 +/- 10% cycles Martindale

JET CATEGORY 3

365+/- 5% g/lin.m
100% Polyester FR
Class 1
80.000+/- 10% cycles Martindale

ONE RECYCLED CATEGORY 3

525 gr/mt2
100% recycled polyester
Base cotton 100%
CLASS 1IM
100.000 CYCLES

ECOPELLE SISTEMA PRO CATEGORY 3

710 gr/mt2
Surface 93% PVC
Base Polyester 28%
CLASS1
100.000 CYCLES

VELOURS CATEGORY 3

100% Polyester.
BASE: 100% Polyester
EN 14465:2006
CLASS 1

ECOPELLE VITAX CATEGORY 3

850 gr/mt2
Surface 98% PVC 2% PU
Base cotton 100%
CLASS 1
100.000 CYCLES

LANA CATEGORY 5

500 gr/mt2
75% Lana, 25% polyamide
Class 1
100.000 cycles Martindale

COCON CATEGORY 5

43% Viscous 33% Cotton
15% Linen 9% Polyester
EN ISO 12945-2 EN ISO 12947-2
Class 1

PELLE CATEGORY 5/6

620 g/lin.m
100% Cow leather
Class 1, EN 1021-1/2

STEELCUT TRIO CATEGORY 7

770 g/lin.m
90% New wool worsted, 10% Nylon
Class 1, EN 1021-1/2
100.000 % cycles Martindale

MERIT CATEGORY 7

500g/lin.m
76% Polyester Recycled
24% Polyester
EN 1021-1/2
85.000 % cycles Martindale

PREMIUM CATEGORY 7

100% First quality cow leather
Thickness 1,2/1,4 mm
EN1021-1/2

VELLUTO DECONTRACTE' CATEGORY 7

590 g/lin.m
19% CO, 61% PC, 10% PL, 10%VI
40.000 % cycles Martindale

VELLUTO CATEGORY 7/8

600 g/lin.m
100.000 % PL Flame retardant

PELLE ELEGANCE CATEGORY 7

100% Cow leather Thickness,8-2 mm
Aniline treatment – First quality
EN1021-1/2

PELLE SETA CATEGORY 8

100% Cow leather Thickness,8-2 mm
Crome treatment – First quality
EN1021-1/2

CRATES

The packaging supplied complies with the provisions of the Legislative Decree on the essential requirements for the environment and on the total levels of concentration of heavy metals and is completely recoverable with minimal impact on the environment.

THAT'S IT SOFT

USAGE AND CARE

In order to have an optimal maintenance of the products and to preserve the characteristics of the materials by which they are made, it is recommended the following course of action.

FABRICS

Cleaning: check the dedicated selection written on the color Swatch card.

Usage: it is recommended to pay careful attention to the fabrics as they can be cut or ripped easily.

WOODS

Cleaning: clean using a soft cloth, soaked in tepid water. Dry always after the cleaning. Remove immediately any liquid substances or other residue in order to prevent the absorption.

Usage: wooden surfaces, being a natural material, might be subjected to color alterations with sun exposure and use over time. It is reminded that wooden surfaces cannot endure direct heat sources.

METALS

Cleaning: both steel and aluminum surfaces, and the painted ones, have to be cleaned using a soft cloth soaked in tepid water. For the most persistent stains it is possible to dilute mild soap with water moderately. Dry always after the cleaning, using a soft cloth of deer-hide. Do not use cleaning products for steel, chlorine, bleach or other strong products. It is not recommended to use abrasive, scourers, which can scratch the metal surfaces.

Usage: pay attention to the food stains as coffee, coke, fruit juices that can make indelible marks on the surfaces.

WARRANTY

QUINTI guarantees the products will maintain their properties for 6 years from delivery, except normal usury and provided that they will be used according to the guidelines given. QUINTI will replace, free of charge, any product found non-compliant with this warranty, without incurring any other liability of sort. Components, external accessories or materials supplied by the buyer and applied to the products in order to customize them will not be supported by the guarantee. For an optimal maintenance of the products and to keep unchanged the characteristics of the materials with which they are made, some simple attentions are necessary.
