

## DEEP PLAST COVER WITH ARMS

DEEP PLAST polypropylene monocoque completely upholstered. In the Cover version the armchair is versatile and able to be integrated in every kind of environment.

1



2



3



4



5



6



7



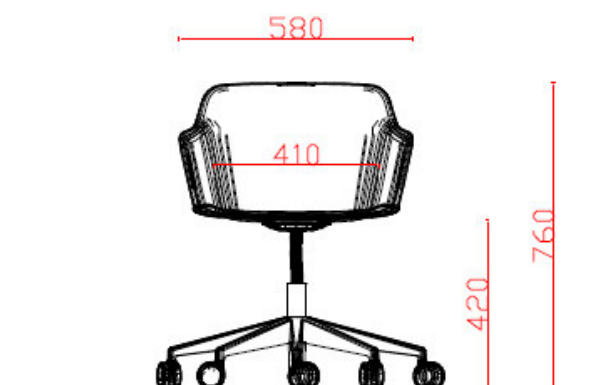
- 1 . Armchair with frame 4 legs
- 2 . Armchair with rod frame
- 3 . Armchair with 4 wooden legs
- 4 . Armchair with truss frame
- 5 . Armchair with 4-spoke wooden base
- 6 . Armchair with 4-spoke chromed base
- 7 . Armchair with frame 4 swing

- L. 58/43 / P. 52/43 / H. 78/44-48
- L. 58/43 / P. 52/43 / H. 78/44-48
- L. 58/43 / P. 52/43 / H. 78/44-48
- L. 58/43 / P. 52/43 / H. 78/44-48
- L. 58/43 / P. 52/43 / H. 79/45
- L. 70/43 / P. 70/43 / H. 84/50
- L. 52/43 / P. 70/43 / H. 73/42

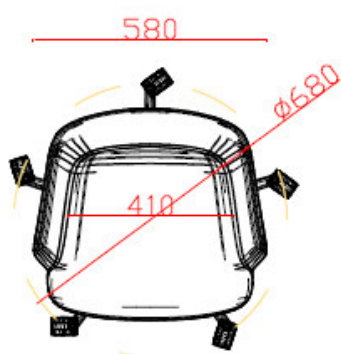


## DEEP PLAST COVER WITH ARMS

# Quinti®



Minimum height



Maximum height

## DEEP PLAST COVER WITH ARMS

### STRUCTURE

---

- **4 metal legs** (diam 16) frame available with integrated armrests and writing table in the finishes:
  - Chrome
  - White painted
  - Black painted
- **Rod frame** (diam 11 mm) with nylon feet in the following finishes:
  - Chrome
  - White painted
  - Black painted
- **4 wooden oak** painted legs frame
  - Natural
  - Black
  - tempered
- Truss black painted frame
- **4 spoke base** on castors or feet (diam 68 cm) swivel with lift
- **Trend 5 spoke** base on castors (diam 68 cm) swivel with lift in the finishes:
  - Aluminum
  - White polypropylene
  - Black polypropylene
- **4 spoke swivel wood base** without lift painted
  - Natural oak
  - Tempered oak
  - Black
- **Cantilever metal frame** (diameter 18 mm) with or without armrests in the finishes:
  - White painted
  - Black painted
- **Educational frame** 4 metal black painted legs (diam 16 mm) with castors, under seat tray for objects and writing table.

## DEEP PLAST COVER WITH ARMS

### PADDING COVER

---

The polypropylene monocoque is completely upholstered and lined.  
A light padding of 5mm rubber makes it comfortable to use.



## DEEP PLAST COVER WITH ARMS

### UPHOLSTERY

---

#### BIO-EXPO CATEGORY 2

300 gr/mt2  
100% Propitex FR bacteriostatic  
Class 1 UNI EN ISO 354 :2003  
100.000 +/- 10% cycles Martindale

#### ONE RECYCLED CATEGORY 3

525 gr/mt2  
100% recycled polyester  
Base cotton 100%  
CLASS 1IM  
100.000 CYCLES

#### MERIT CATEGORY 7

500g/lin.m  
76% Polyester Recycled  
24% Polyester  
EN 1021-1/2  
85.000 % cycles Martindale

#### LASER CATEGORY 2

560 gr/mtl  
100% Polyester FR  
Class 1  
80.000 +/- 10% cycles Martindale

#### ECOPELLE SISTEMA PRO CATEGORY 3

710 gr/mt2  
Surface 93% PVC  
Base Polyester 28%  
CLASS1  
100.000 CYCLES

#### PREMIUM CATEGORY 7

100% First quality cow leather  
Thickness 1,2/1,4 mm  
EN1021-1/2

#### ECOPELLE CATEGORY 2

630 gr/mt2  
83% PVC, 17% Synthetic  
ISO 379-DIN75200-CSERF4/83 10%  
cycles Martindale

#### VELOURS CATEGORY 3

100% Polyester.  
BASE: 100% Polyester  
EN 14465:2006  
CLASS 1

#### VELLUTO DECONTRACTE' CATEGORY 7

590 g/lin.m  
19% CO, 61% PC, 10% PL, 10%VI  
40.000 % cycles Martindale

#### ERA CATEGORY 3

448 gr/mtl  
100% Trevira CS  
Class 1 UNI EN ISO 354 :2003  
100.000 +/- 10% cycles Martindale

#### ECOPELLE VITAX CATEGORY 3

850 gr/mt2  
Surface 98% PVC 2% PU  
Base cotton 100%  
CLASS 1  
100.000 CYCLES

#### VELLUTO CATEGORY 7/8

600 g/lin.m  
100.000 % PL Flame retardant

#### LASER PLUS CATEGORY 3

630 gr/mtl  
100% Polyester FR Trevira  
Class1, 4.000 +/- cycles Martindale

#### LANA CATEGORY 5

500 gr/mt2  
75% Lana, 25% polyamide  
Class 1  
100.000 cycles Martindale

#### PELLE ELEGANCE CATEGORY 7

100% Cow leather Thickness, 8-2 mm  
Aniline treatment – First quality  
EN1021-1/2

#### ECOPELLE SOUL CATEGORY 3

760 gr/mt2  
Superficies 100% POLYURETHANE,  
Base Polyester 85%, 17% Cotton  
EN1021-1/BS5852 PART 1  
>100.000 EN ISO 5470-2

#### COCON CATEGORY 5

43% Viscous 33% Cotton  
15% Linen 9% Polyester  
EN ISO 12945-2 EN ISO 12947-2  
Class 1

#### PELLE SETA CATEGORY 8

100% Cow leather Thickness, 8-2 mm  
Crome treatment – First quality  
EN1021-1/2

#### MELANGE CATEGORY 3

390 g/lin.m  
100% Trevira CS  
Class 1  
80.000 +/- 10% cycles Martindale

#### PELLE CATEGORY 5/6

620 g/lin.m  
100% Cow leather  
Class 1, EN 1021-1/2

#### JET CATEGORY 3

365 +/- 5% g/lin.m  
100% Polyester FR  
Class 1  
80.000 +/- 10% cycles Martindale

#### STEELCUT TRIO CATEGORY 7

770 g/lin.m  
90% New wool worsted, 10% Nylon  
Class 1, EN 1021-1/2  
100.000 % cycles Martindale

## DEEP PLAST COVER WITH ARMS

### **USAGE AND CARE**

In order to have an optimal maintenance of the products and to preserve the characteristics of the materials by which they are made, it is recommended the following course of action.

#### **FABRICS**

Cleaning: check the dedicated selection written on the color Swatch card.

Usage: it is recommended to pay careful attention to the fabrics as they can be cut or ripped easily.

#### **WOODS**

Cleaning: clean using a soft cloth, soaked in tepid water. Dry always after the cleaning. Remove immediately any liquid substances or other residue in order to prevent the absorption.

Usage: wooden surfaces, being a natural material, might be subjected to color alterations with sun exposure and use over time. It is reminded that wooden surfaces cannot endure direct heat sources.

#### **METALS**

Cleaning: both steel and aluminum surfaces, and the painted ones, have to be cleaned using a soft cloth soaked in tepid water. For the most persistent stains it is possible to dilute mild soap with water moderately. Dry always after the cleaning, using a soft cloth o deer-hide. Do not use cleaning products for steel, chlorine, bleach or other strong products. It is not recommended to use abrasive, scourers, which can scratch the metal surfaces.

Usage: pay attention to the food stains as coffee, coke, fruit juices that can make indelible marks on the surfaces.

#### **WARRANTY**

QUINTI guarantees the products will maintain their properties for 6 years from delivery, except normal usury and provided that they will be used according to the guidelines given. QUINTI will replace, free of charge, any product found non-compliant with this warranty, without incurring any other liability of sort. Components, external accessories or materials supplied by the buyer and applied to the products in order to customize them will not be supported by the guarantee. For an optimal maintenance of the products and to keep unchanged the characteristics of the materials with which they are made, some simple attentions are necessary.