

# eldoLED

## mastering light



## Taking color science to the next level

**Natural daylight isn't static. But what about your luminaires?**

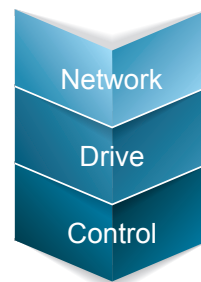
The intensity and color of daylight changes over time. During the course of a day, or from season to season. However, as we spend more time indoors, we lose touch with these natural fluctuations.

Luminaires capable of Dynamic Lighting allow you to recreate these changing intensity levels and colors in buildings, enhancing occupants' wellbeing and performance.

With Dynamic White Lighting, you can create intuitive Tunable White and Dim to Warm lighting applications using standard controls, drivers and LED modules.

eldoLED's LightShape technology intelligently manages light in Dynamic Lighting applications. From Tunable White to Dim to Warm, or even multi-spectrum solutions, LightShape reduces the challenge of ensuring tens, hundreds, or even thousands of luminaires behave identically as light is changed, providing the quality of light demanded by clients every time.

A consistent solution requires the following building blocks:



- **Network** – DALI-2 Device Type 8 (Tc) – standard color-aware controls for Tunable White applications
- **Drive** – Multi-channel LED drivers from the eldoLED DUALdrive family
- **Control** – LightShape technology inside the LED driver enabling color awareness

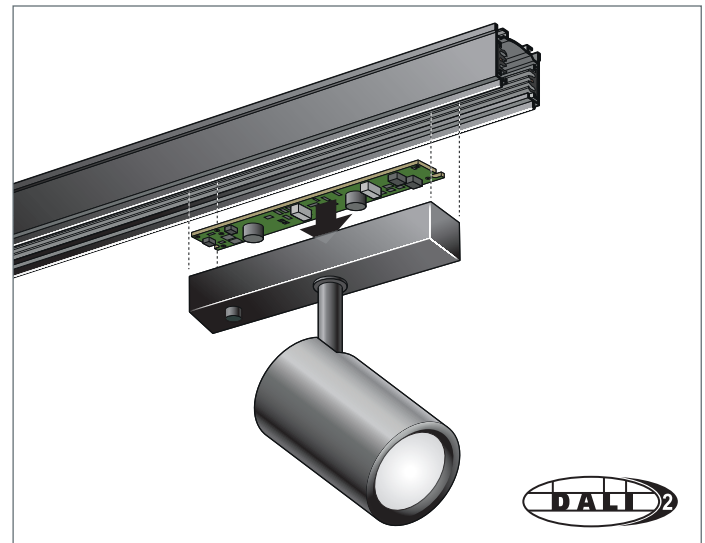
# Unique in the market - Tunable White for track lighting

**LED technology enables further miniaturization of track lighting. To comply with form factor constraints, these tracks rely on small LED drivers, typically powered by a remote 48V DC power supply.**

Generally, LED drivers available for the Stucchi MULTISYSTEM do not deliver the Quality of Light and Dynamic White Lighting functionality required by specification-grade luminaires. To meet this need, eldoLED has developed a new family of open-frame LED drivers that fit within the Stucchi MULTISYSTEM track adapter.

This new family of LED drivers brings natural dimming capabilities to track light applications, offering tremendous flexibility for retail stores and hospitality.

The system offers unprecedented flexibility and allows you to work with a wide range of dimming and color adjustment options. You can easily add spots anywhere and introduce dynamic lighting wherever you like. You can combine them with other types of dynamic lighting luminaires, while retaining a fully consistent light image.



## Product specification

Series	DUALdrive 32/P
Supported adapter	Stucchi MULTISYSTEM 9519-166 series
Input voltage	48V DC nominal
LED output	constant current, 2 outputs 20 – 42 V, 150 – 1050 mA
Controls	DALI-2 DT6, DALI-2 DT8 (Tc)

## eldoLED enables the best delivery of LED lighting

Our drivers and dimming technology have enabled the delivery of lighting solutions that connect easily using a variety of systems and protocols, dim perfectly, solve flicker, and perform as promised.

We are making it easier to deploy dynamic lighting and integrate this with sensors, and communications and control solutions.

Our objective is to reduce complexity, ensure reliability, and enable beautifully lit spaces as we innovate for the future of human centric lighting and managed spectrums.



**eldoLED Europe**  
Science Park Eindhoven 5125  
5692 ED Son  
The Netherlands  
T: +31 (0)40 782 04 00  
E: sales@eldoled.com

**eldoLED North-America**  
One Lithonia Way  
Conyers, GA 30012  
United States  
T: +1 877 eldoLED (+1 877 353 6533)  
E: nasales@eldoled.com

**eldoLED Asia-Pacific / Beyond Illumination**  
25 Tagore Lane  
#03-06 Singapore Godown  
Singapore 787602  
T: +65 6455 0018  
E: sales@beyonduillum.com