



The PlasmaPURE 600 Series **Models 601 / 602 / 603 / 604** brush needlepoint ionizers are rated for 2400 CFM and produce positive and negative ions neutralizing harmful pathogens, pollutants and odors. This self-balancing ionizer is typically installed at the fan inlet of fan coil units, VRF cassettes, ductless splits, WSHP etc. These ionizers are self-contained in a potted ABS box with a molded flange and mounting holes and is protected with an inline 500mA glass cartridge fuse. The 600 Series is UL2998 validated for zero ozone emissions.

SPECIFICATIONS:

- Airflow Capacity: 2,400 CFM
- Pressure Drop: Less than 0.01 In. WG
- Housing Material: ABS
- Weight: 0.2 lbs
- Maximum Operating Temperature: 200°F (93°C)
- Electrical:**
 - Voltage Input:12V DC (601)
 - 24V AC (602)
 - 120V AC (603)
 - 208-240V AC (604)
 - Power Consumption: Less than 1 watt
 - Frequency: 50/60 hertz
 - Over Current Protection: . 500mA Glass Cartridge Fuse
 - Lead Wires 50"(L)
- Ionization Output:**
 - Mode of Operation:Needlepoint Type
 - Needle Configuration: Brush Type

DIMENSIONS: See Figure 1

APPROVALS: Intertek/ETL Standard UL 867

ORDERING NOMENCLATURE:

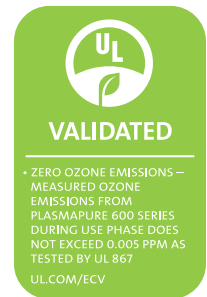
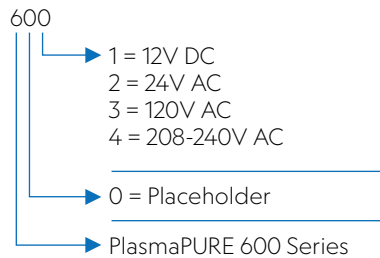
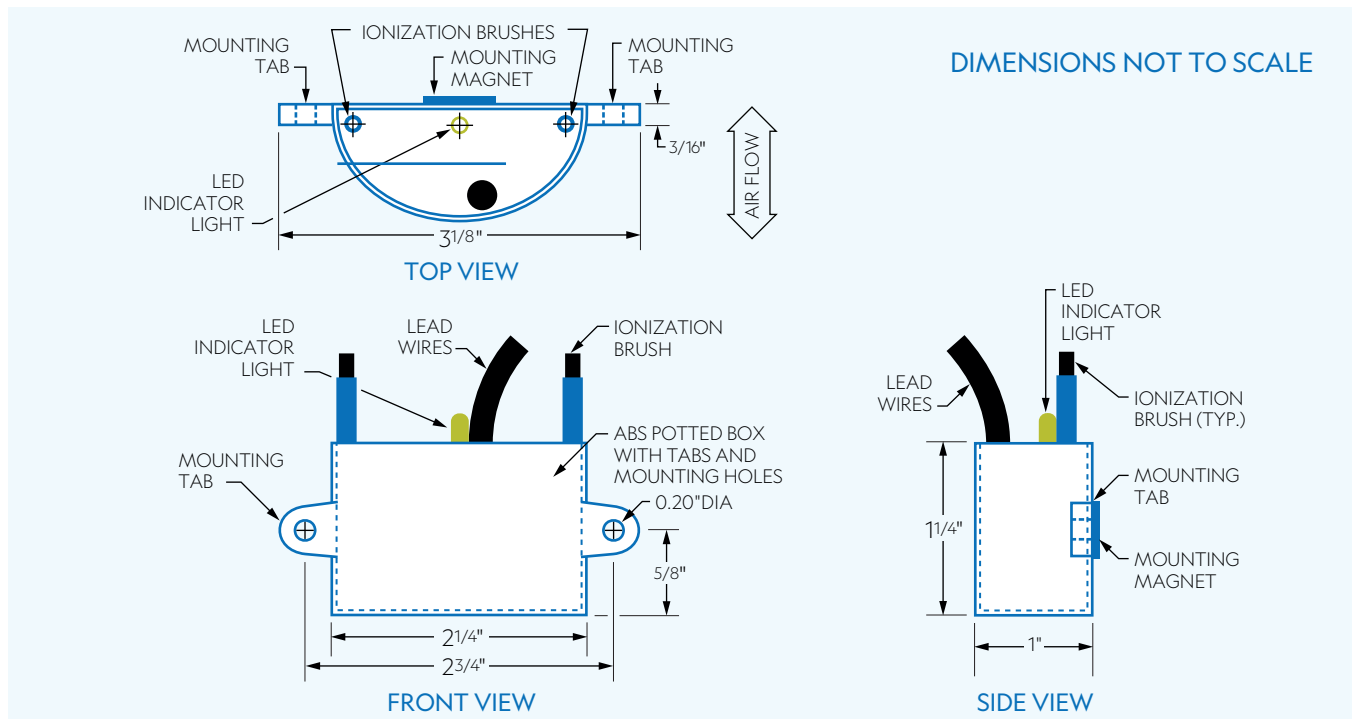


FIGURE 1



All stated specifications are subject to change without notice or obligation.