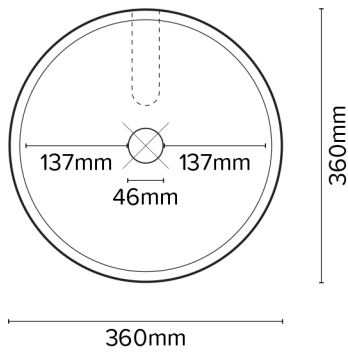
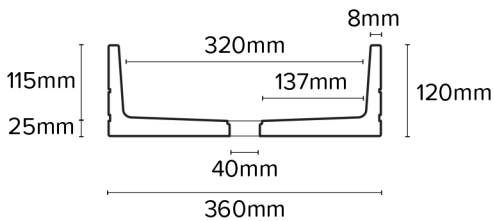




PLAN VIEW



SECTION VIEW



SPECIFICATIONS

| | |
|---------------------------|--|
| MATERIAL | UHP Concrete |
| FINISH | Matte / Low Sheen |
| WEIGHT | 10kg (22lbs) |
| DIMENSIONS | D360mm x H120mm (D15in x H4in) |
| BOWL CAPACITY | 8.9L (2.35gal) |
| TAP HOLE | N/A |
| OVERFLOW AVAILABLE | N/A |
| WASTE RQD | 32mm or 40mm Standard (1.25in or 1.5in) (not provided by Nood) |
| WARRANTY | 24 months |
| WASTE HOLE SIZE | 46mm (1.8in) |
| WALL THICKNESS | 20mm (0.8in) |
| OPTIONS | Surface Mount / Wall Hung / Stand / Cylinder |
| WALL HANG RQD | Mount before tiling - to timber frame or masonry wall. |

All dimensions are estimate. We suggest waiting until receiving Nood basins before cutting holes in cabinetry items. Concrete colours may vary slightly.

WALL HUNG BRACKET



8mm aluminium powdercoated. Bracket, fixings, adhesive provided with each wall hung basin purchased.

AVAILABLE COLOURS



L365mm x W300mm x H90mm
(L14.3in x W11.8in x H3.5in)

THICKNESS

Wall Hang Bracket: 8mm (0.3in)
L Bracket: 3mm (0.1in)

WEIGHT

Wall Hang Bracket: 1.76kg (3.88lbs)
L Bracket: <250g (0.5lbs)

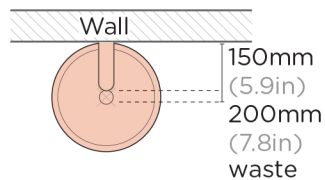
INSTALLATION

Timber Wall: tiny.cc/udkhlz
Masonry Wall: tiny.cc/Ogkhlz

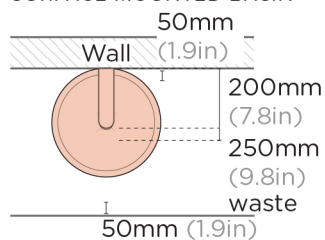
Basin to be mounted after tiling.

SUGGESTED TAP / FAUCET POSITION & LENGTH

WALL HUNG BASIN



SURFACE MOUNTED BASIN



INSTALL HEIGHT

