



We Ponder
CLOUD

INTERIOR OR EXTERIOR

PROUDLY HANDMADE IN TASMANIA

CLOUD WALL LIGHT

INTERIOR OR EXTERIOR

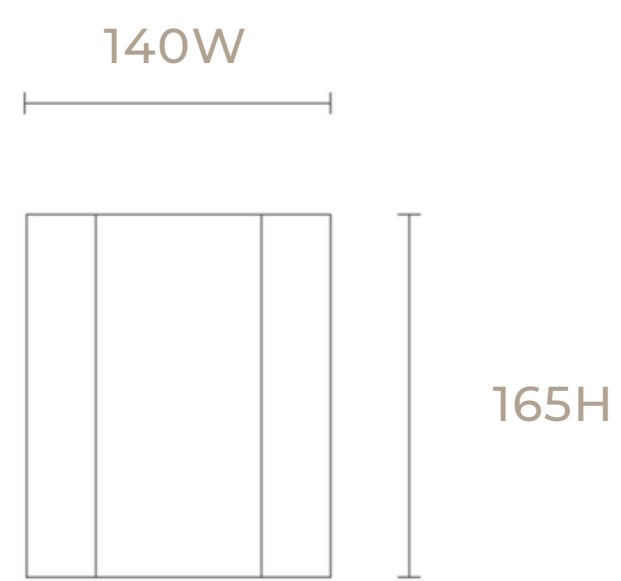
NAME Cloud Wall Light
PRODUCT CODE WP_CLO_S
DIMENSIONS (mm) 140W x 115D x 165H
WEIGHT (kg) 2.0

CLAY TYPE Smooth
GLAZE COLOUR Eggshell White
DESIGNER We Ponder
TYPE Wall mounted light
LIGHT DIRECTION Down only
LIGHT SOURCE GU10 240V, LED Globe, 5-10W
(globe not included)
IP RATING IP33- For interior or exterior use
MOUNTING PLATE CODE WPLF102
MOUNTING PLATE FINISH White powder coated aluminium
with white rubber gasket.
INSTALLATION If installing outdoor, installation
height should be no less than 1.8m
above the finished floor level unless
the installing licensed electrician
determines minimal risk of
inadvertent contact as per Section
4.5 of AS/NZ 3000:2018.
FIXING SCREWS 4 x 6g screw holes to mounting
plate (screws not included, installer
to consider appropriate screws for
wall substrate).
WARRANTY 3 years
© All designs are protected under
Australian copyright law. We
Ponder holds the exclusive
manufacturing and distribution
rights worldwide.

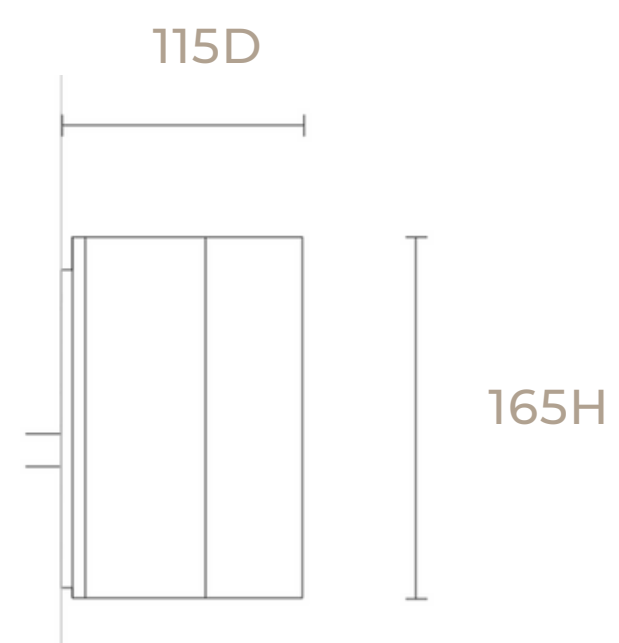
We Ponder

CLOUD WALL LIGHT

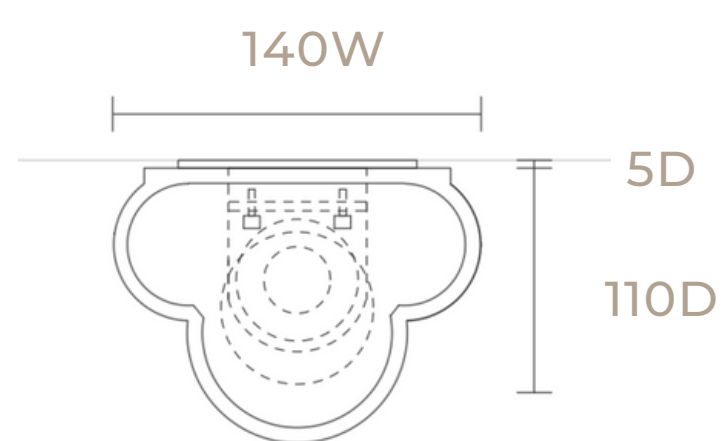
INTERIOR OR EXTERIOR



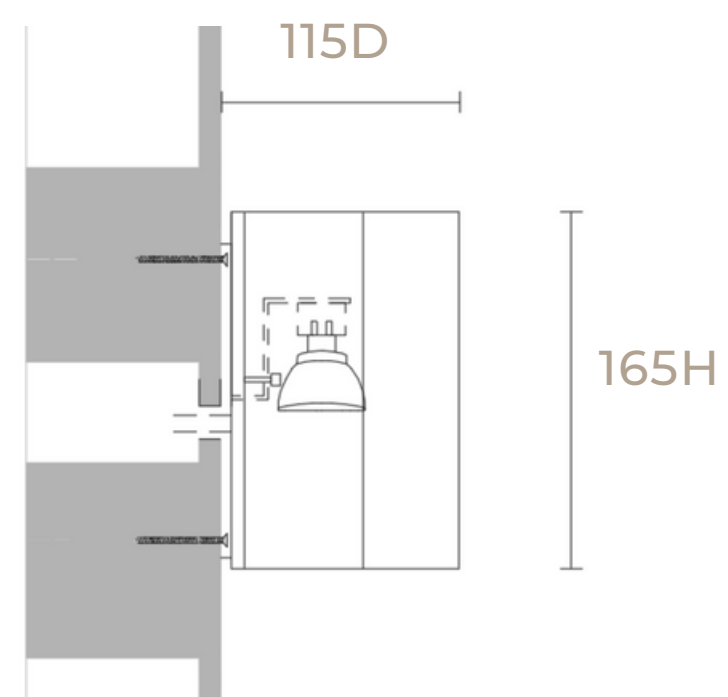
FRONT



SIDE



PLAN



SECTION

DIMENSIONS (+ /- 5mm)

We Ponder