

WALL MIRRORS



STUDIOTING

ABOUT THE STUDIO

Studio Ting is a creative studio in Melbourne run by Mikey Ting and Carissa Karamarko.

Based in Preston, the studio is the couples' diverse artistry distilled into furniture and decorative art pieces for the home. They work in small runs, in exclusives, in hand-made, quality objects imbued with a mix of sumptuousness and fun unique to the studio.

Since 2017, Mikey has been making custom furniture and working in his art practice under his own name. As an Artist, Mikey resurrects found art from dusty retirement and paints them into relevance with typography; heart-led and bold in both colour and sentiment. As a furniture designer and maker, his pieces are the result of craft, conversation and friendship with his customers, imbued with the same sense of heart and care that permeates not only his work but the world he has curated around him.

Carissa began her career as an Emerging Artist in 2018. Represented by Saint Cloche in Sydney, she has been a finalist in numerous art prizes, including the Geelong Contemporary Art Award, Muswellbrook Art Prize, and the Mosman Art Award. Through her practice as an Oil Painter, Carissa uses the Still Life genre to explore an intuitive connection to colour and objecthood. This practice combined with a curiosity for materials informs her approach to designing and creating the studio pieces.

Studio Ting make beautiful, luxurious art pieces for the home. They believe in making things the right way. They believe in being meticulous, choosing the best local suppliers and are proudly Australian made.





The bathroom mirror has received an elegant, vibrant update.

Introducing our Australian made Wall Mirror collection.

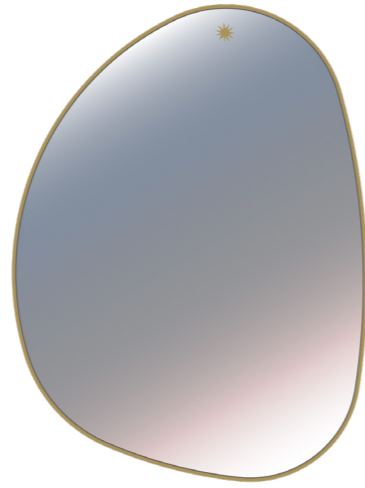
Available in 10 beautiful shapes, each mirror is housed in an elegant, super slim frame handcrafted right here at our Melbourne studio. Each piece is available in quality materials and finishes, including either silver or bronze mirrored glass. The beautiful frames come in either powdercoated or 2K painted aluminium.

We use 6mm thick mirrored glass made locally in Victoria and it's free from lead and copper. Each mirror is backed by high moisture resistant MDF and comes with ready to hang flush mount fixtures.

AVAILABLE SHAPES



TES



SKY



ADA



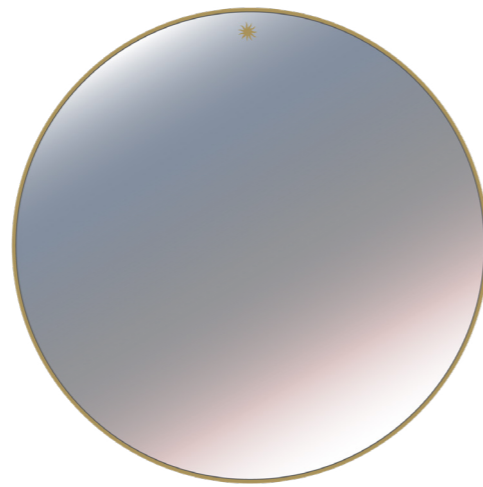
BUB



SIM



OLI



DOT



LOU



GIA



PAC

STUDIOTING

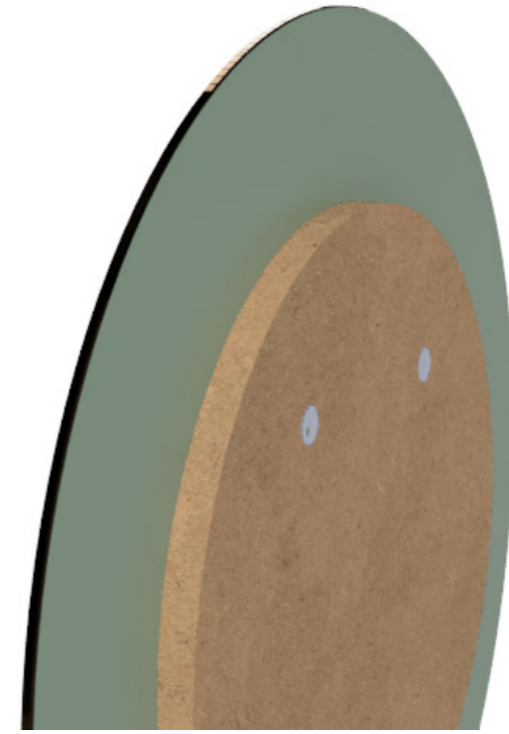
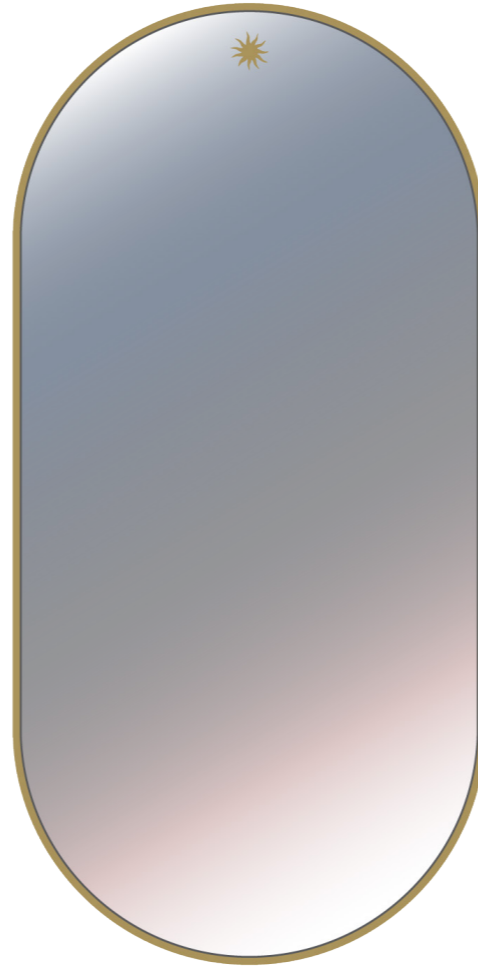
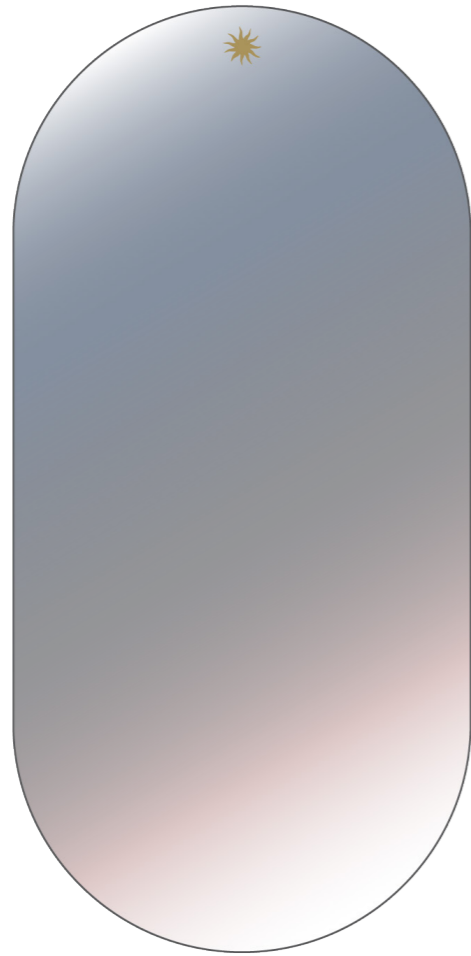
OCT 2022



The entire collection is available in either standard silver or bronze mirrored glass.



Each mirror includes the Studio Ting monogram vinyl decal to match the frame colour.



The entire collection is available framed or frameless, with or without a backing board.

Our mirrors are hand-crafted in our Melbourne studio allowing customisable framing & hanging options.



2K painted Aluminium is an automotive quality finish and a great choice for building on an existing colour palette or to create a highlight piece. Choose from our curated selection of colours or match with any colour in the dulux library.

If you'd prefer to match your fixtures and fittings or go for a more traditional look, we offer a range of metallic finishes in our unique transparent powercoat.



CUSTOM PROJECTS



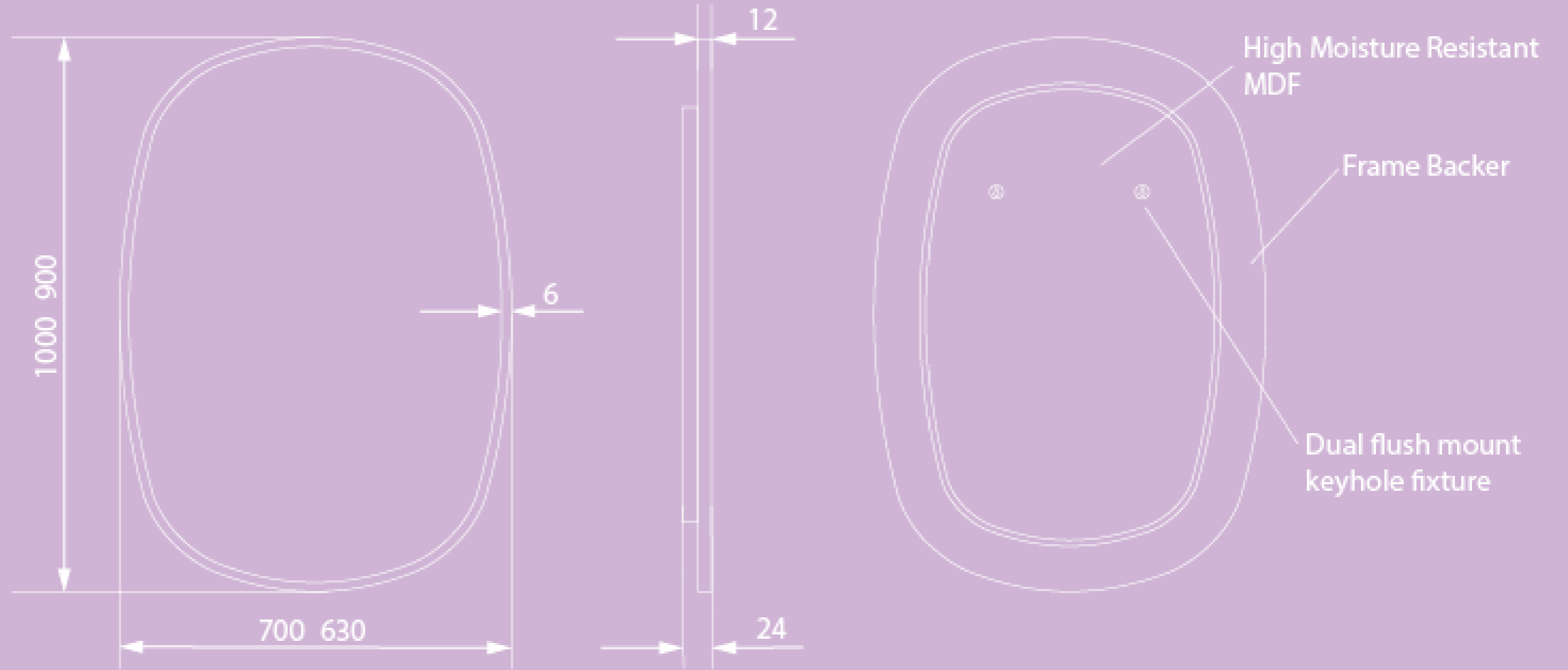
STUDIOTING

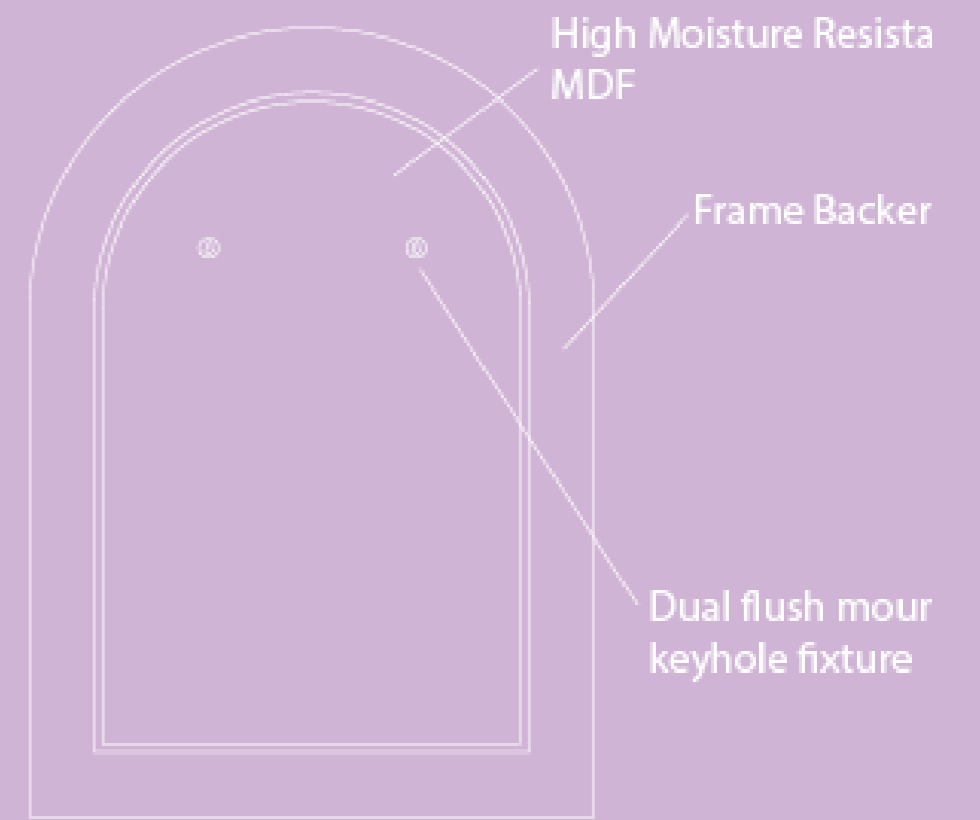
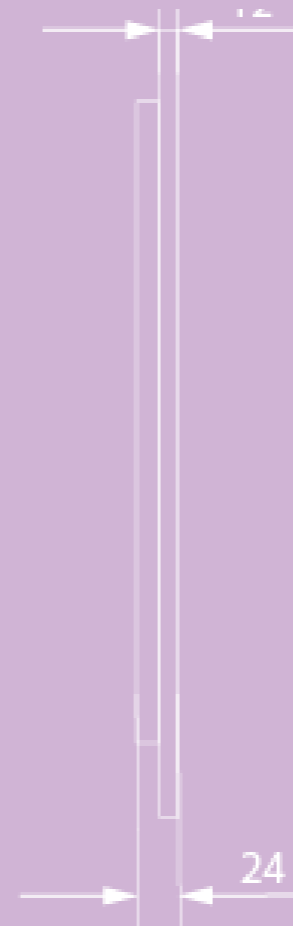
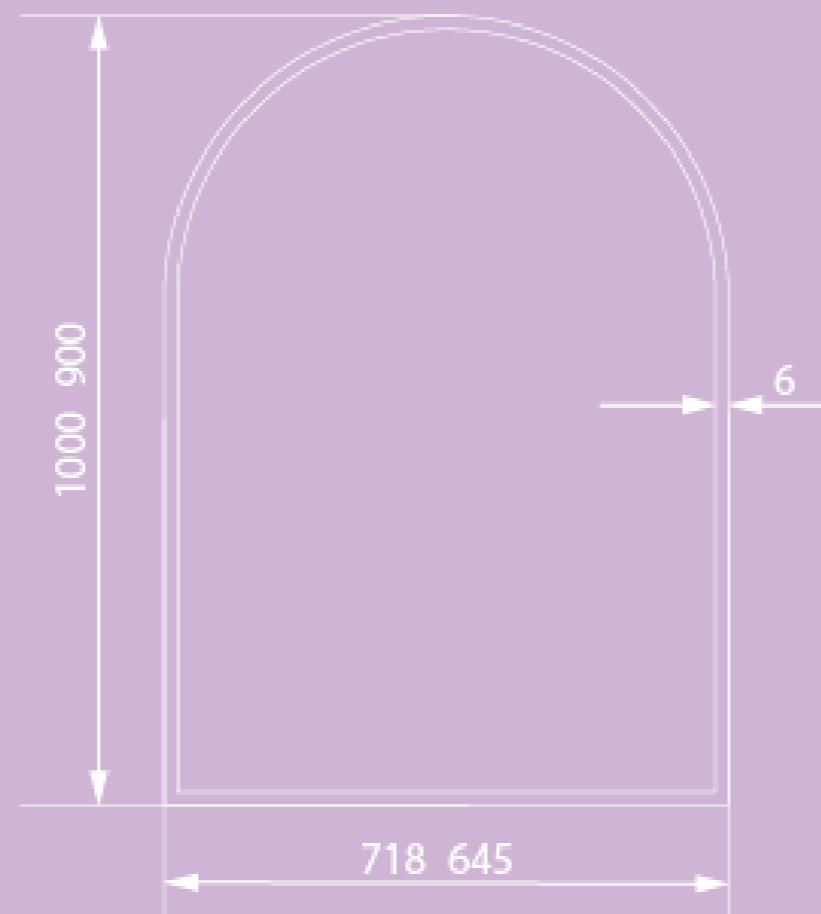
At Studio Ting we firmly endorse custom.

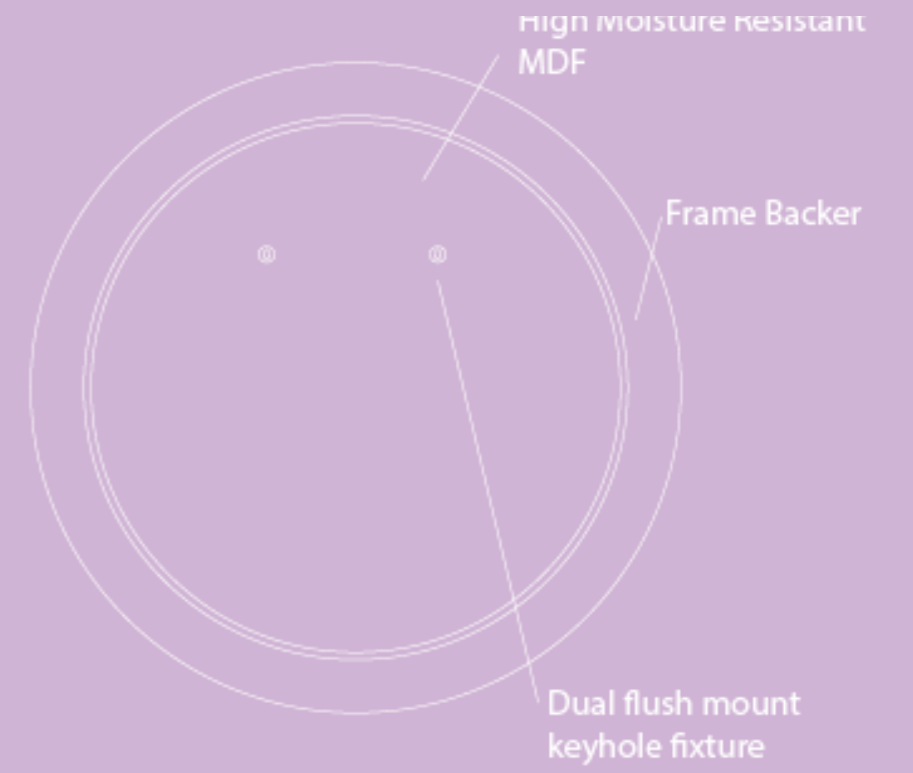
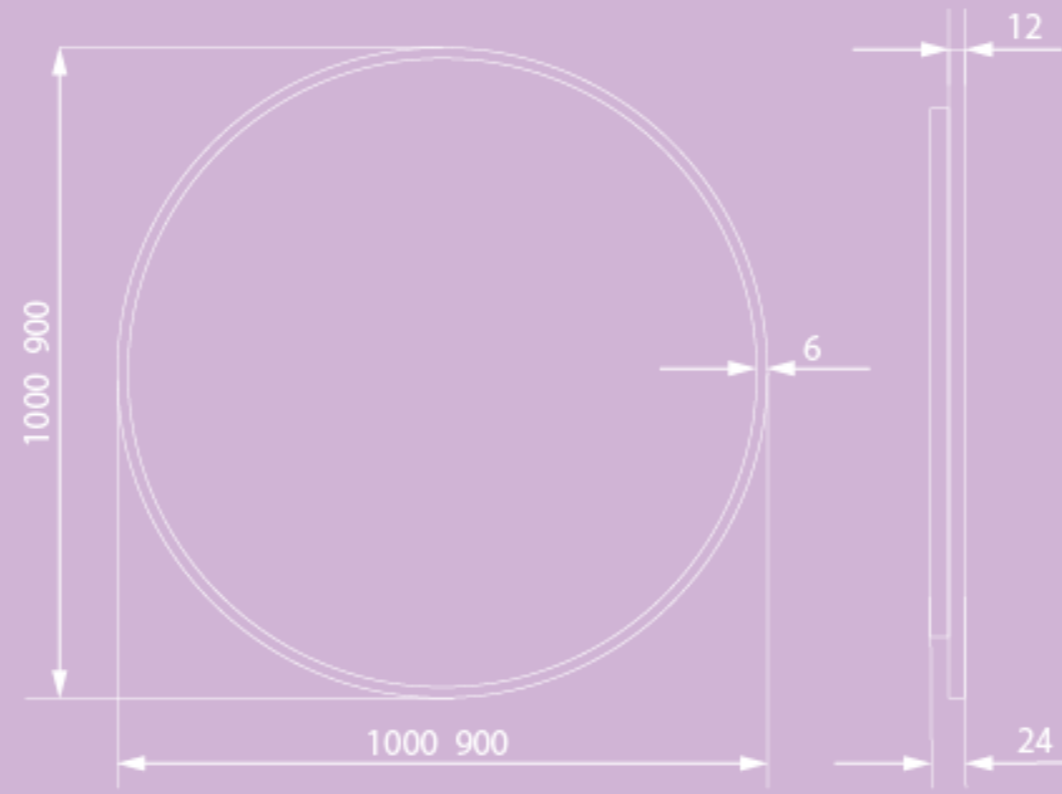
Custom is in our DNA. We can absolutely handle your wild custom shapes and sizes.

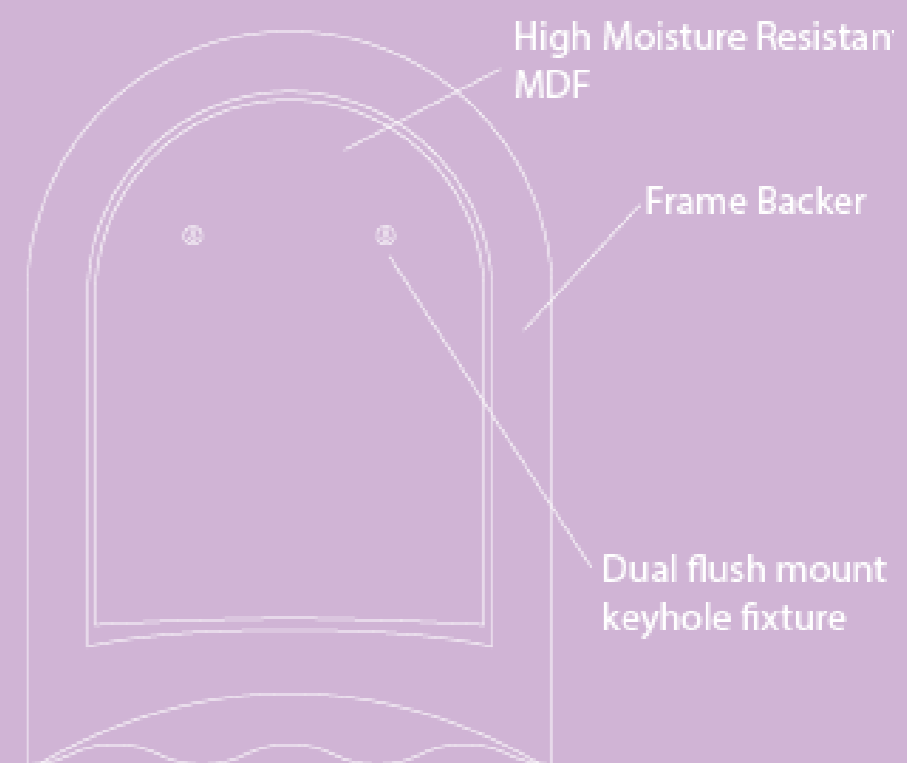
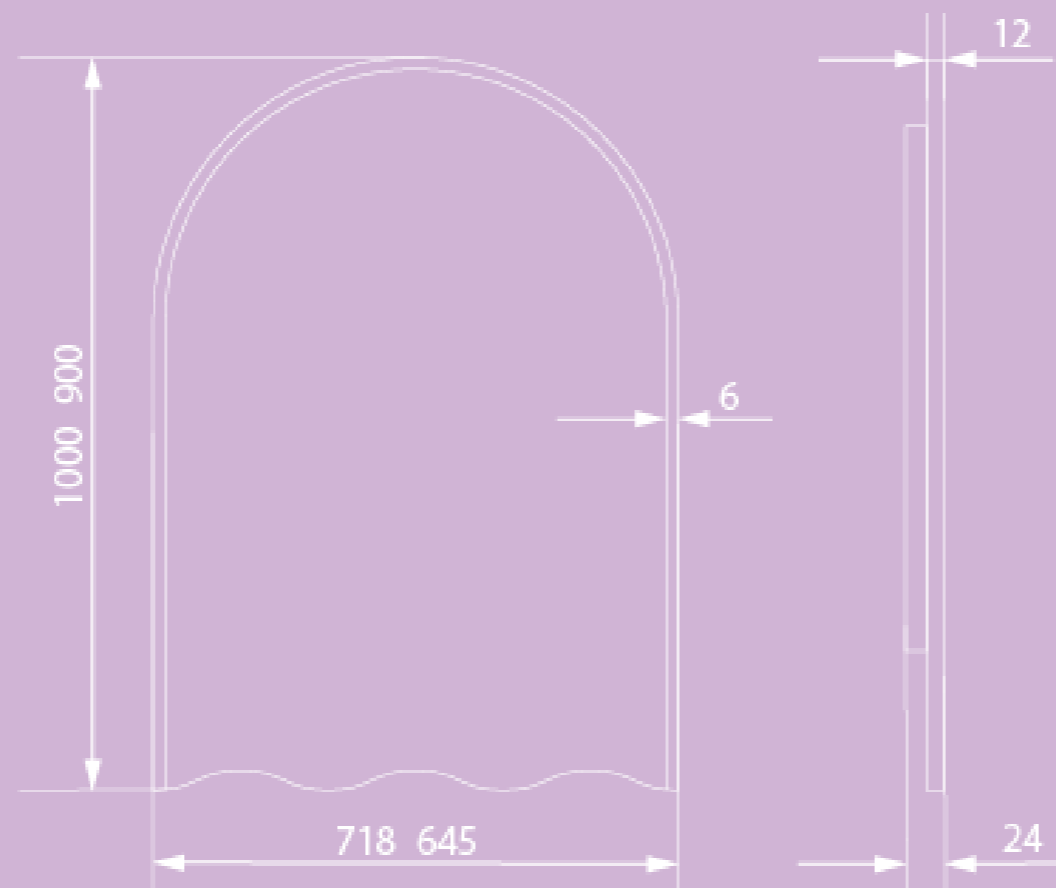
Additionally, we offer a traditional handpainted service for those out there wanting that extra level of high-end bespoke detail. We can design and hand paint on the glass itself in hard-wearing gloss enamel.

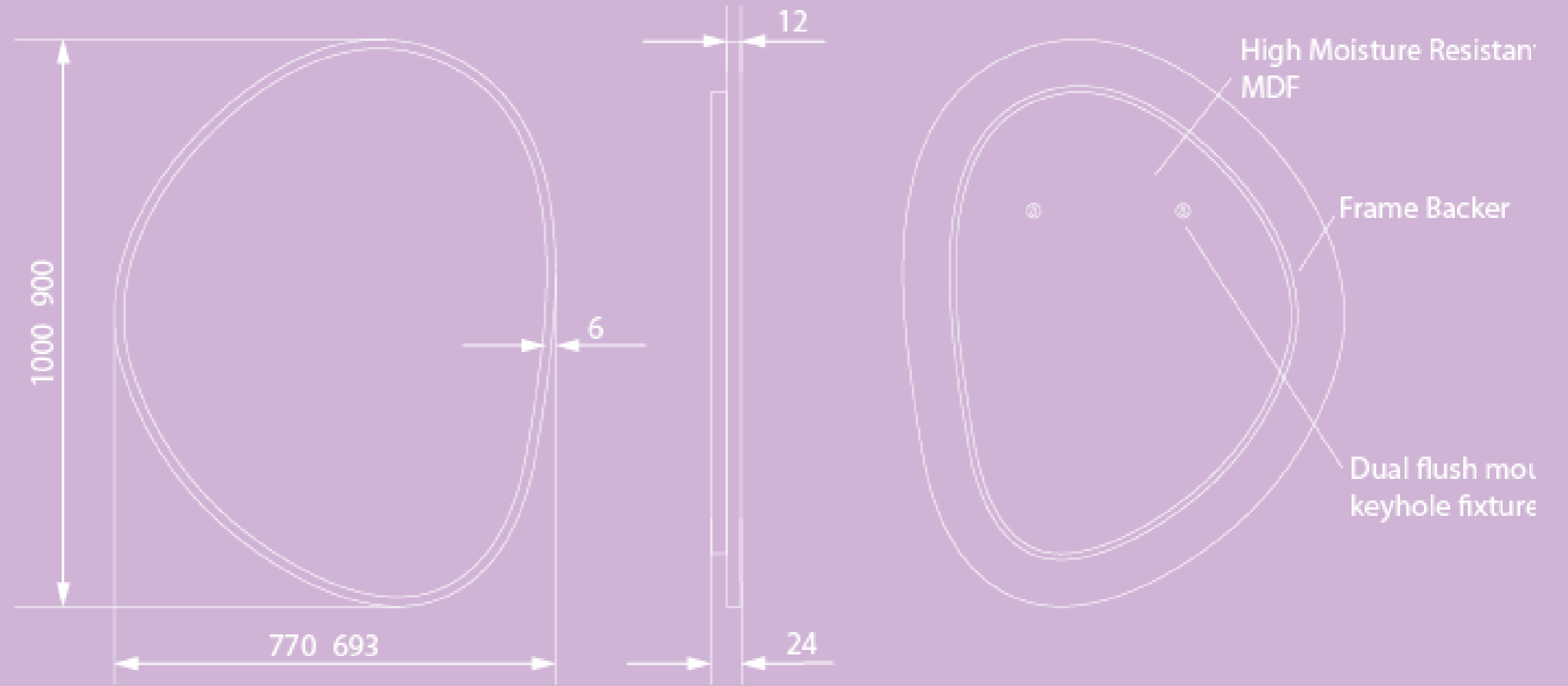
OCT 2022

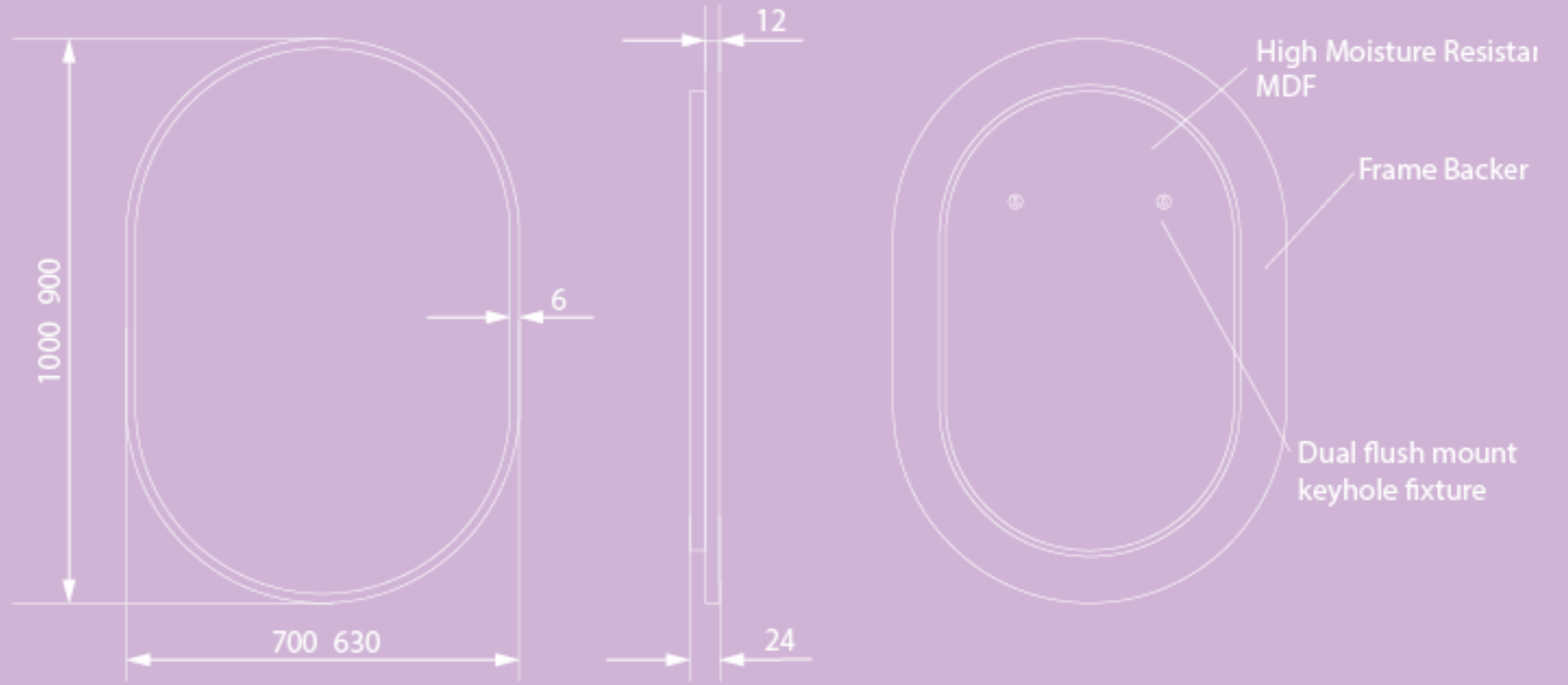


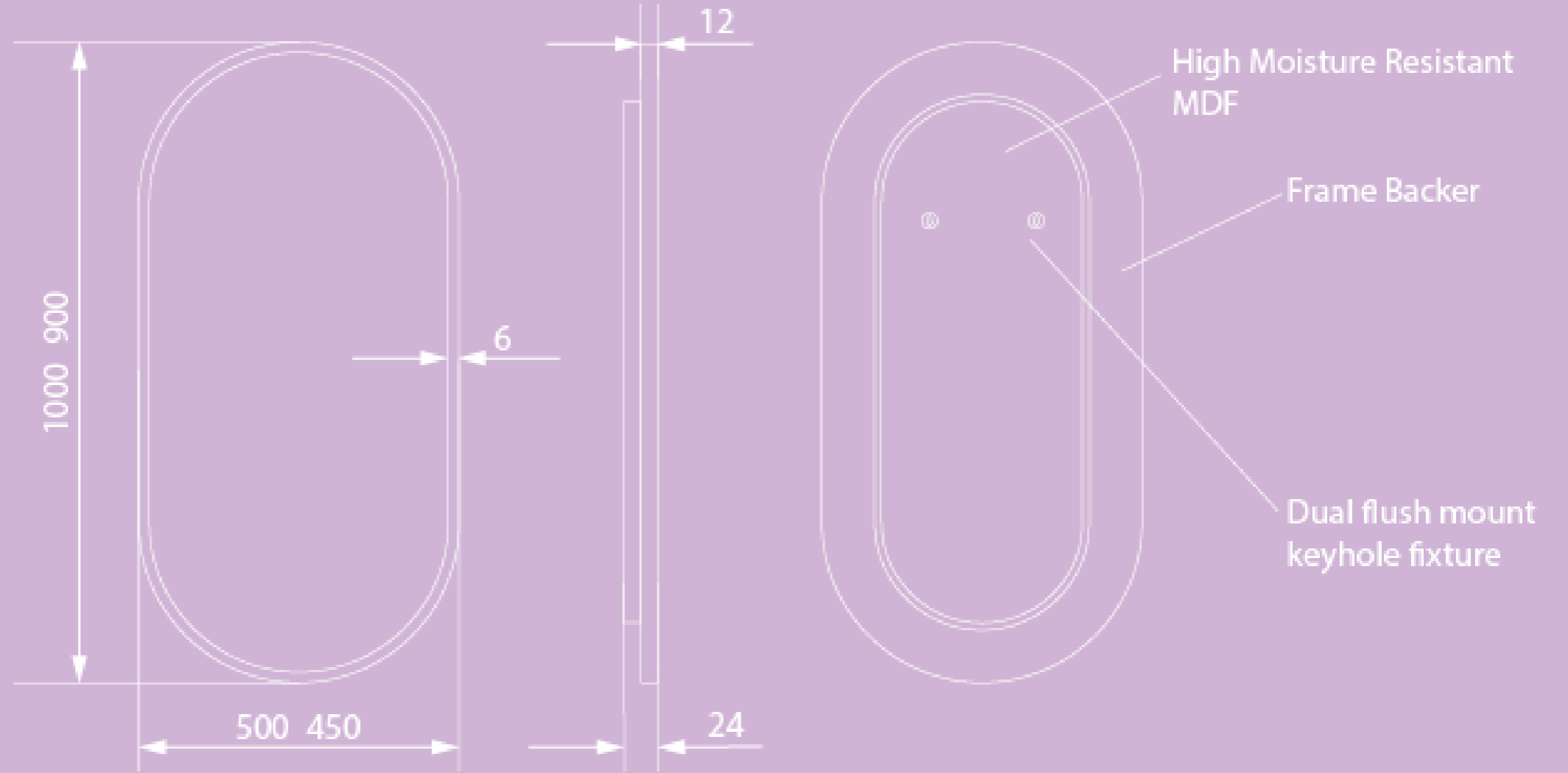


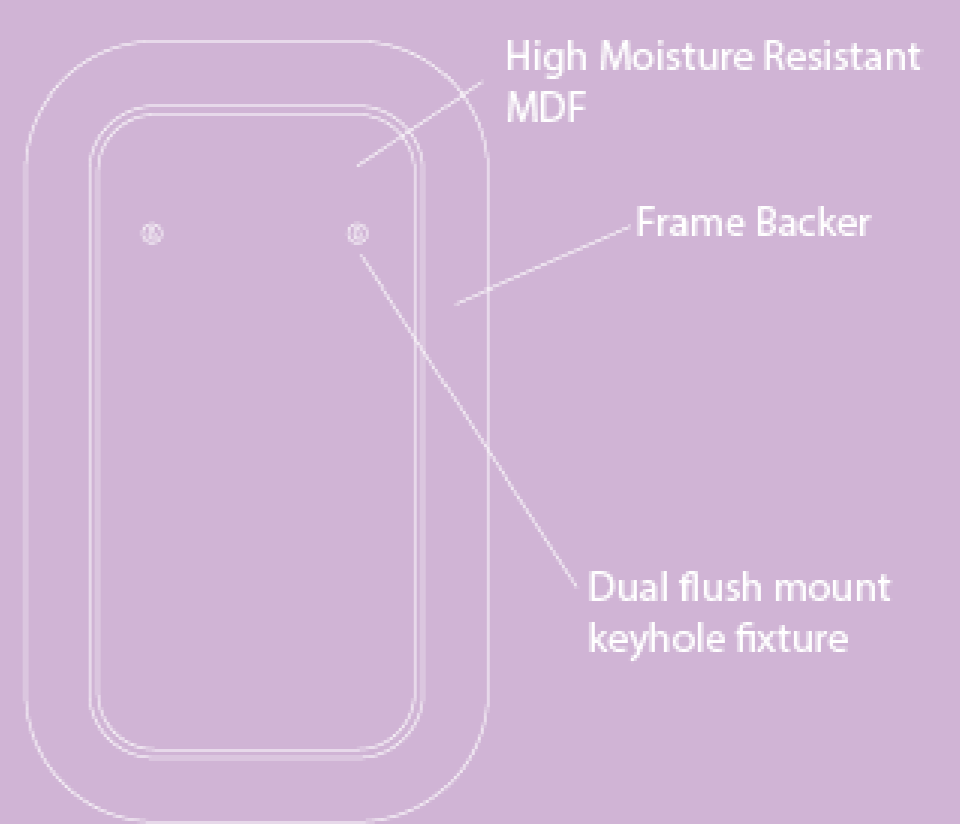
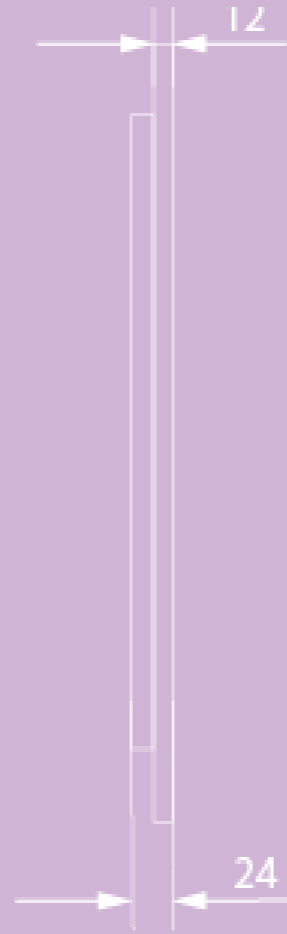
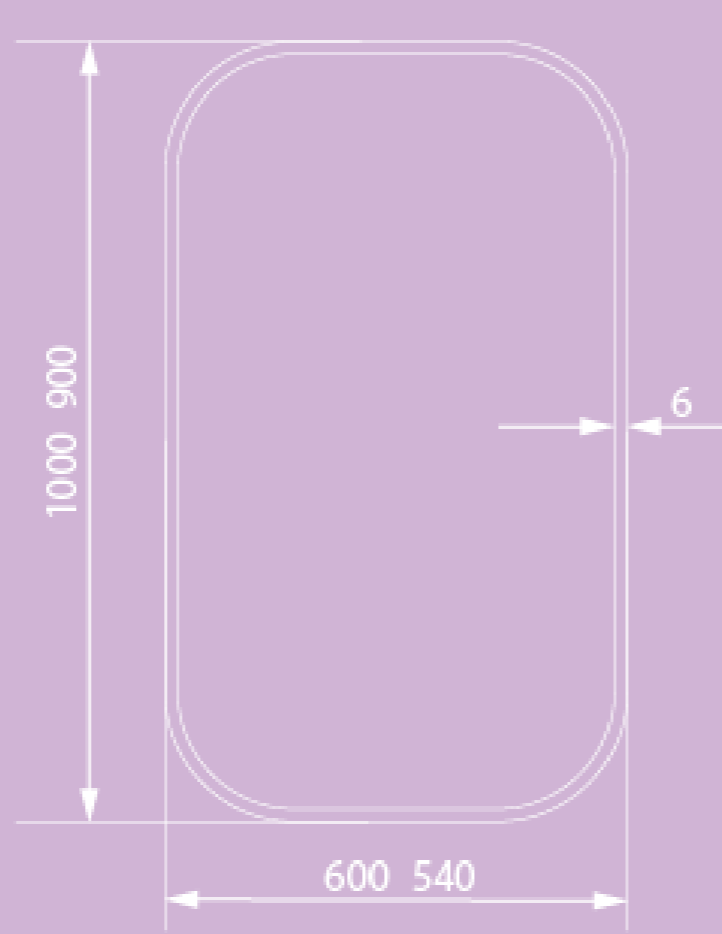


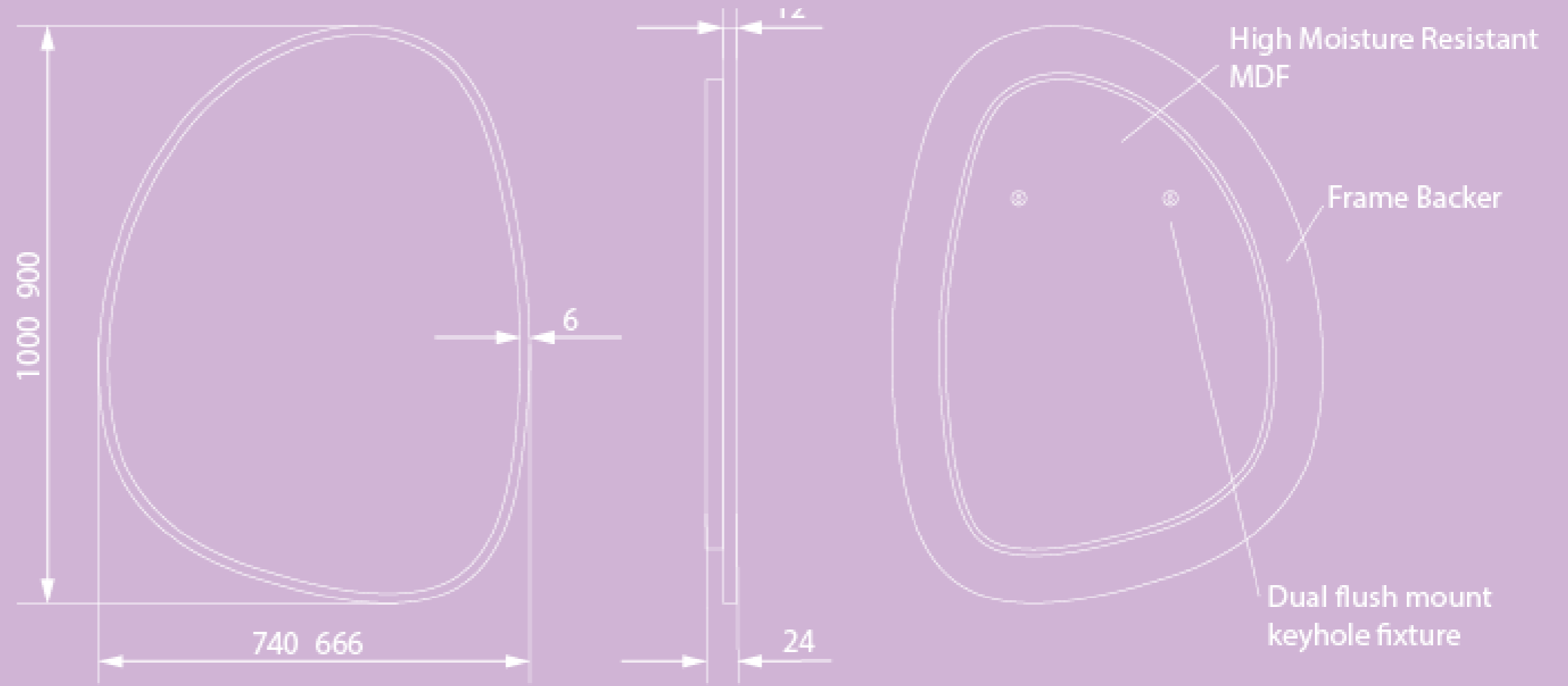


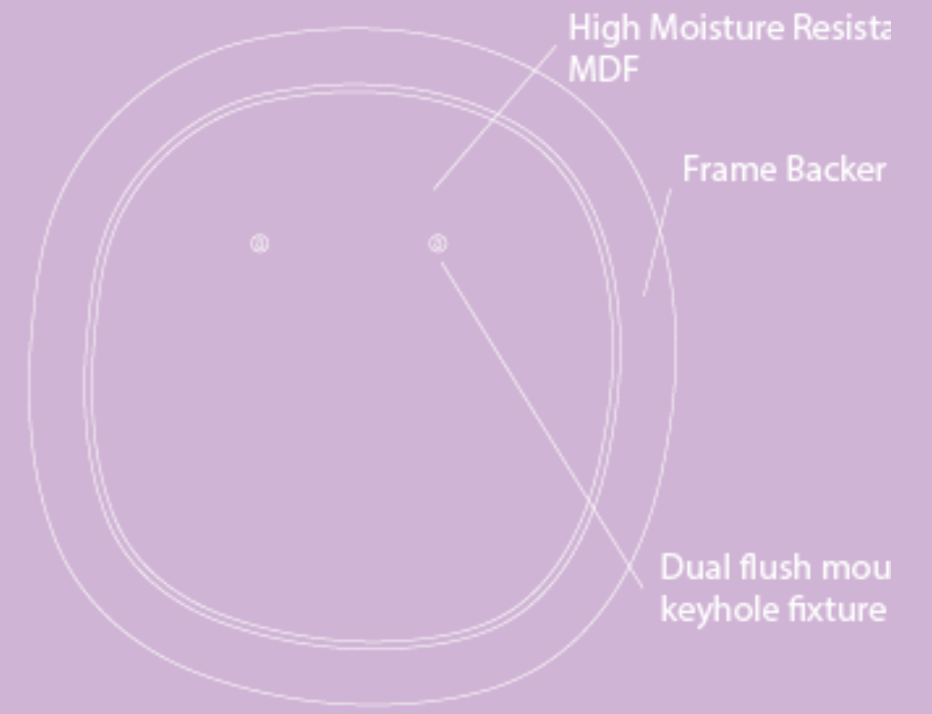
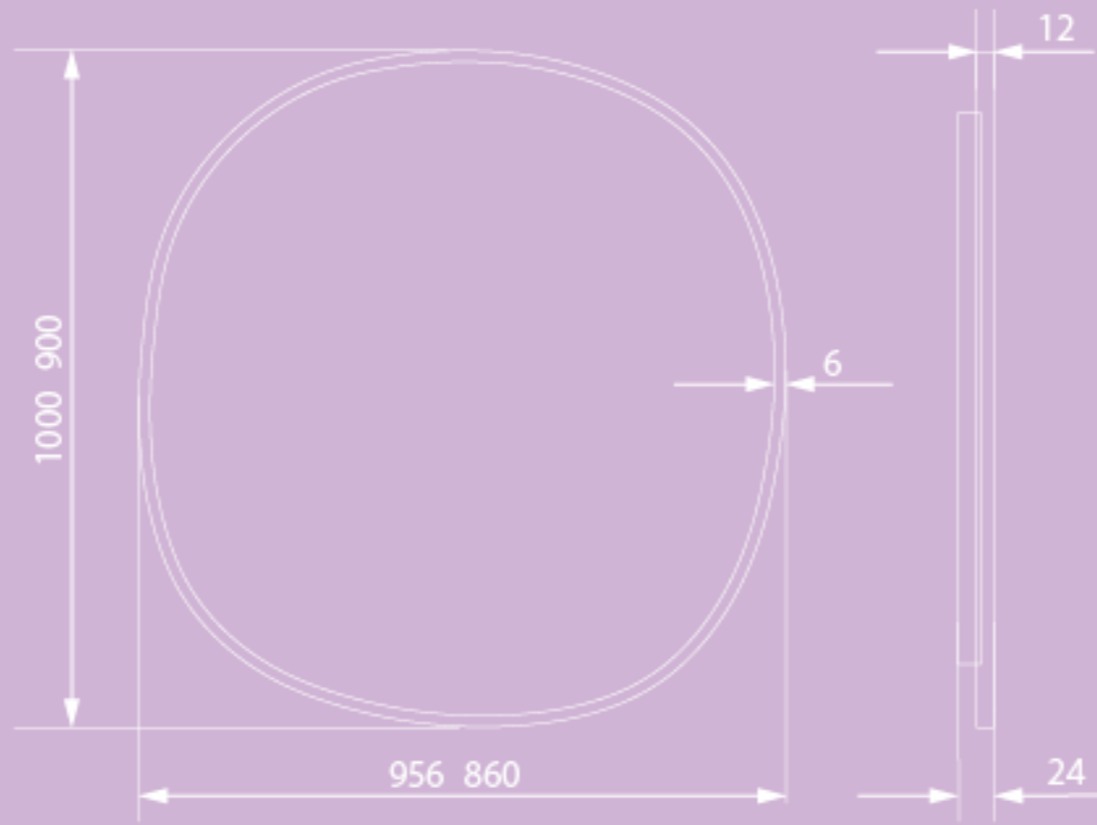












STUDIO TING



CARISSA KARAMARKO
CARISSA@STUDIO-TING.COM
+61 450 598 935

MIKEY TING
MIKEY@STUDIO-TING.COM
+61 450 748 864

488 HIGH STREET
PRESTON VIC 3072

INSTA @STUDIOTING
TIKTOK STUDIO.TING