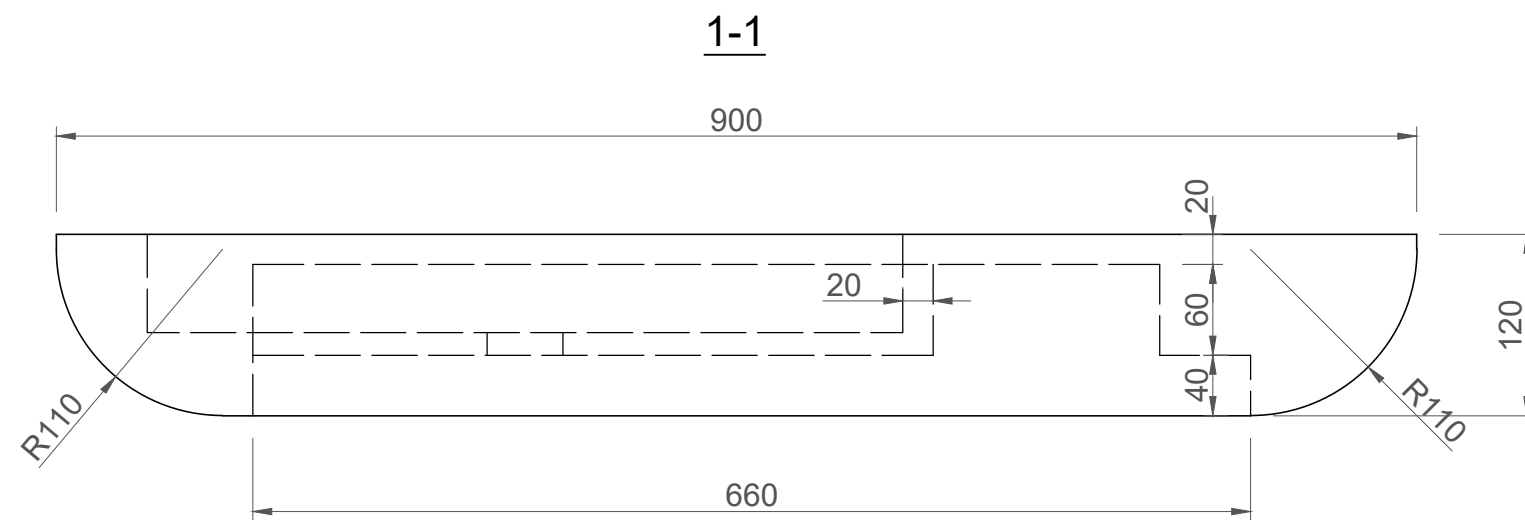
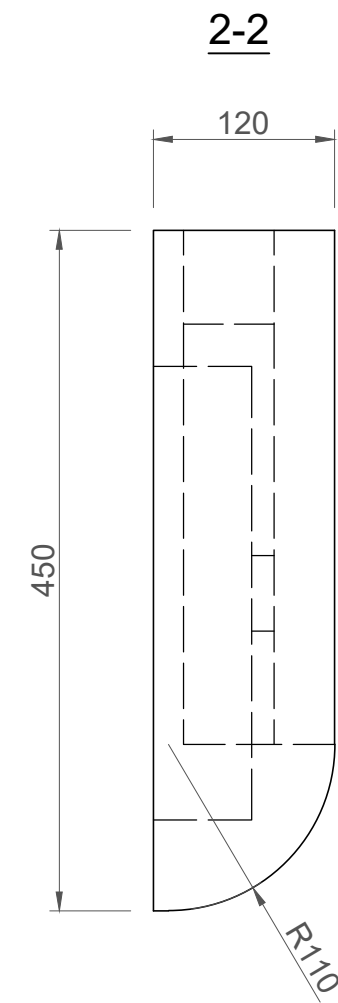
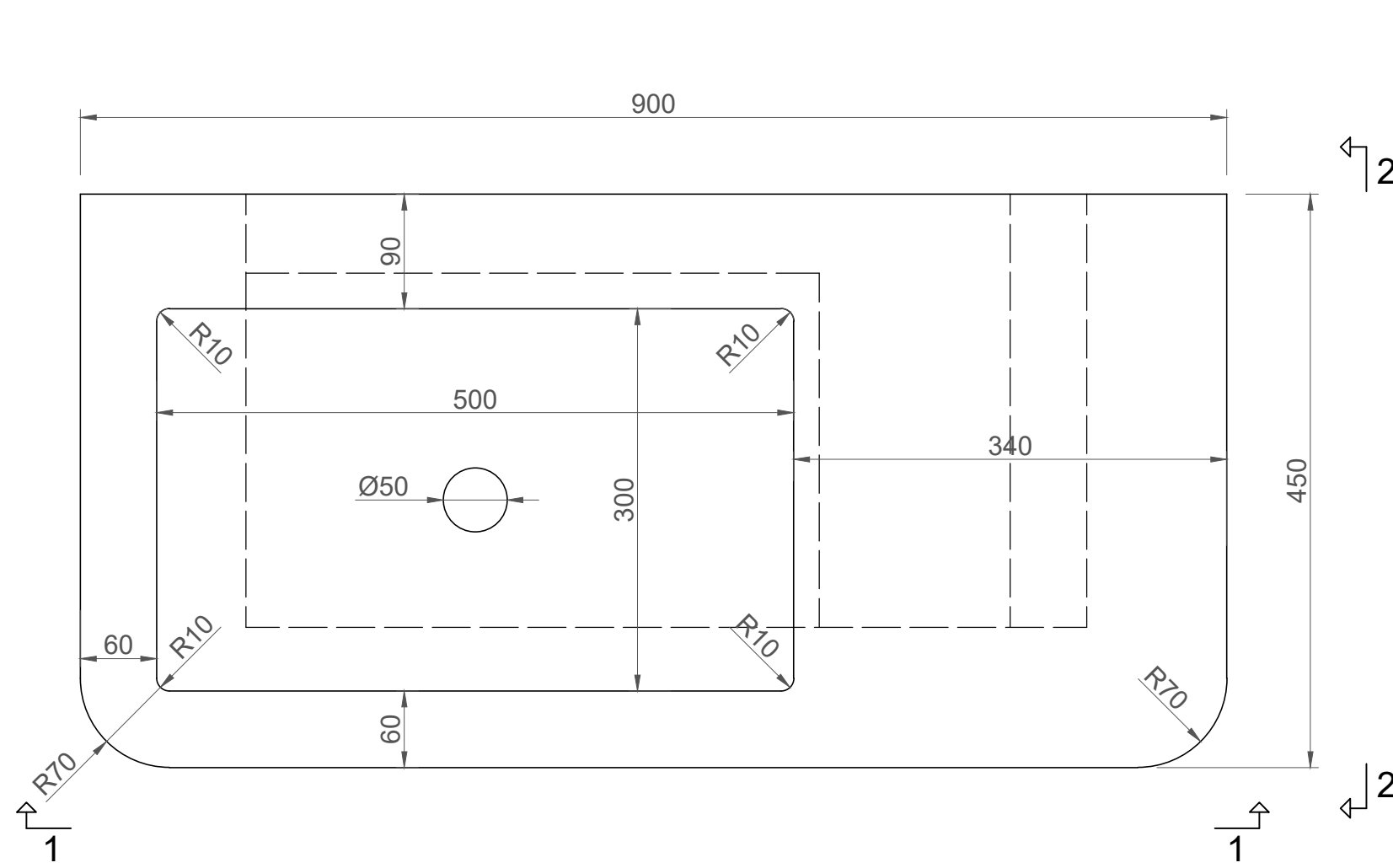




CONCRETE  
COLLECTIVE

BRAZEN VANITY-LEFT SINK  
TECHNICAL SPECIFICATIONS



45 kg