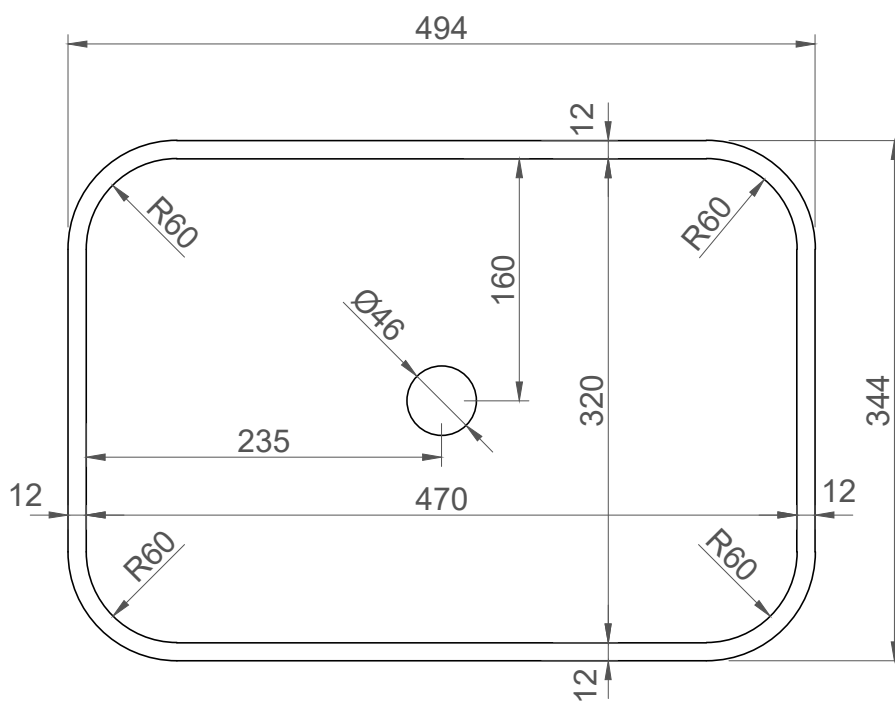




ZOE-Undermount Basin-Pill SPECIFICATIONS



PLAN VIEW