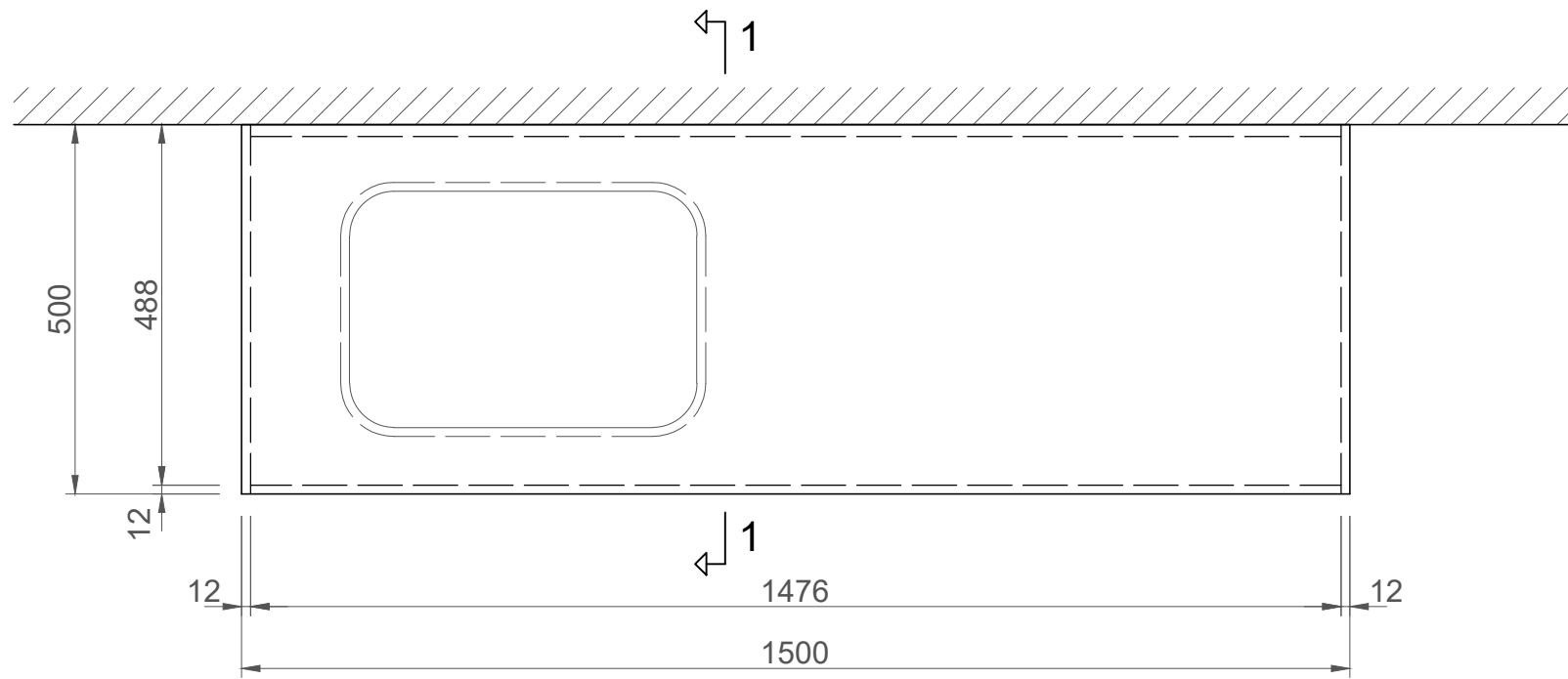
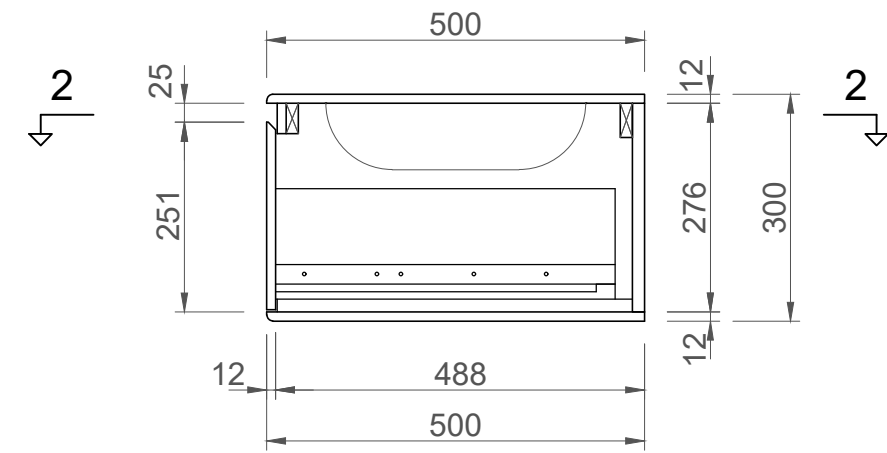




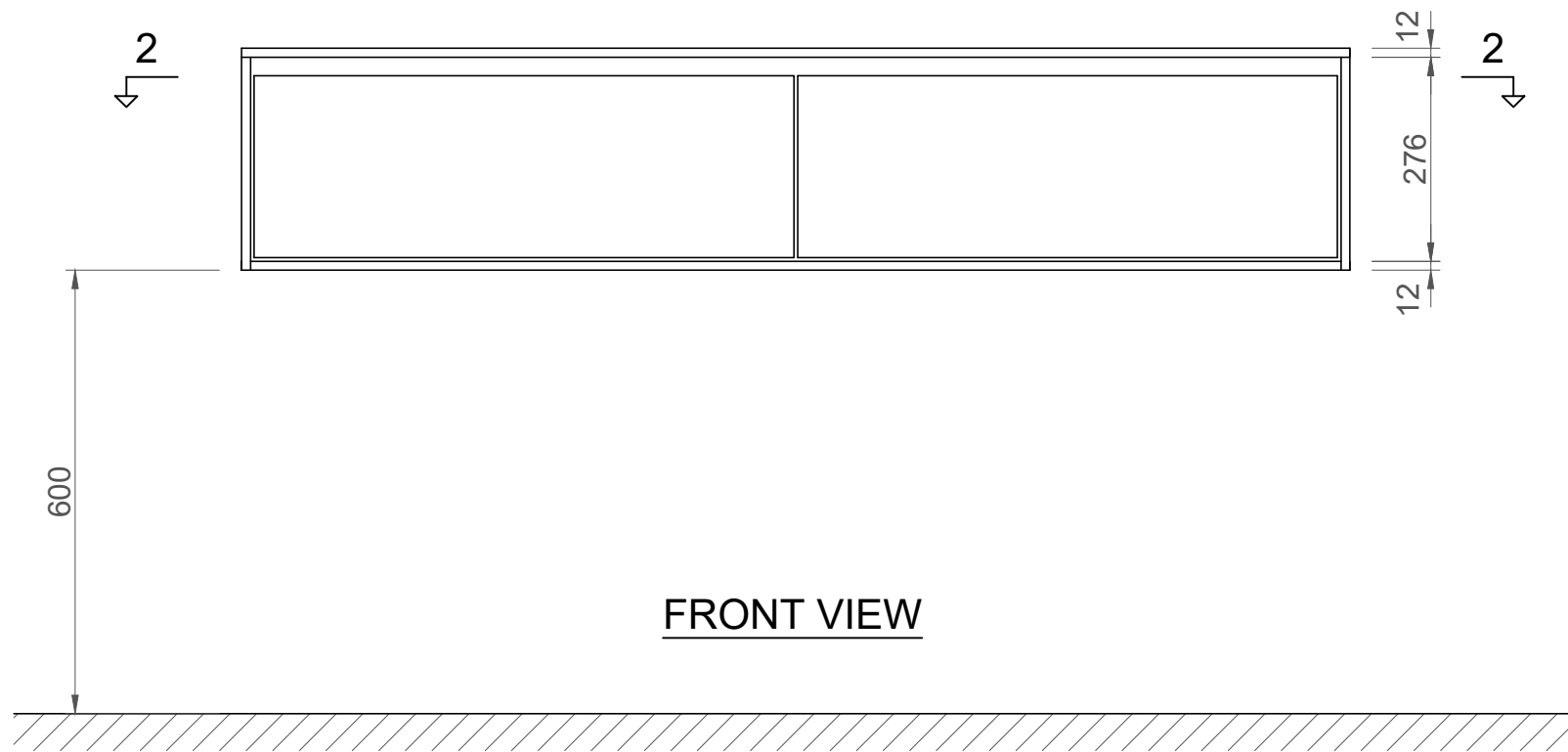
ZOE VANITY TECHNICAL SPECIFICATIONS



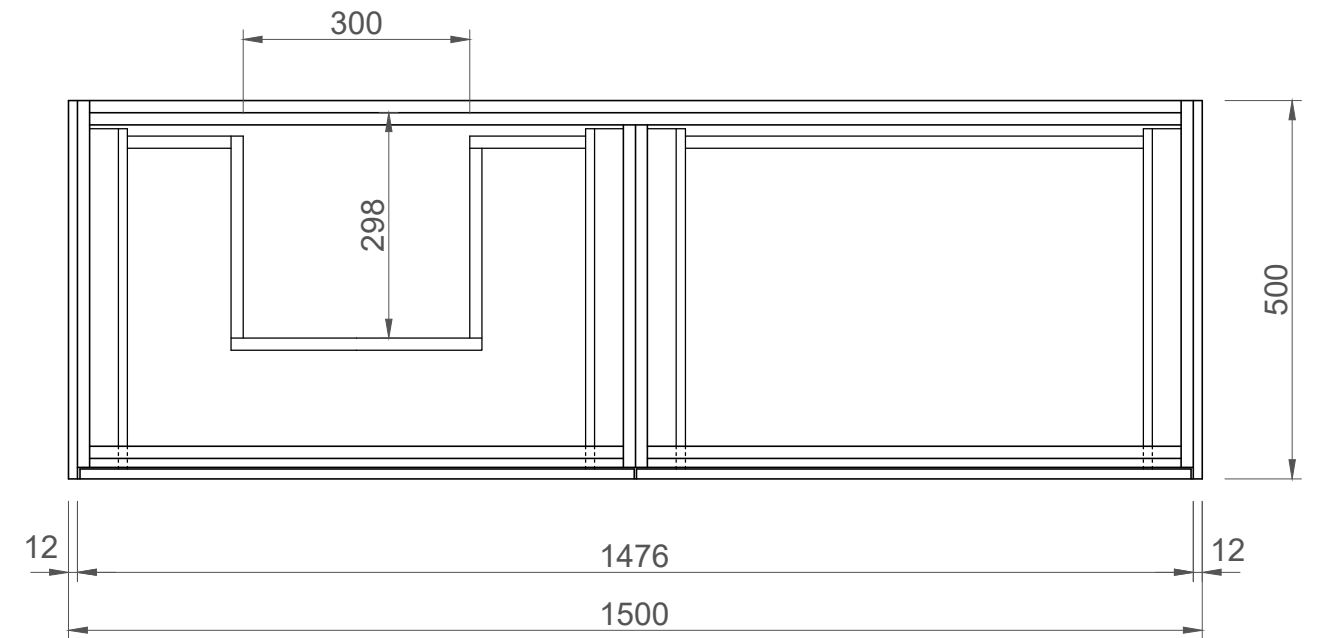
PLAN VIEW



1-1



FRONT VIEW



2-2