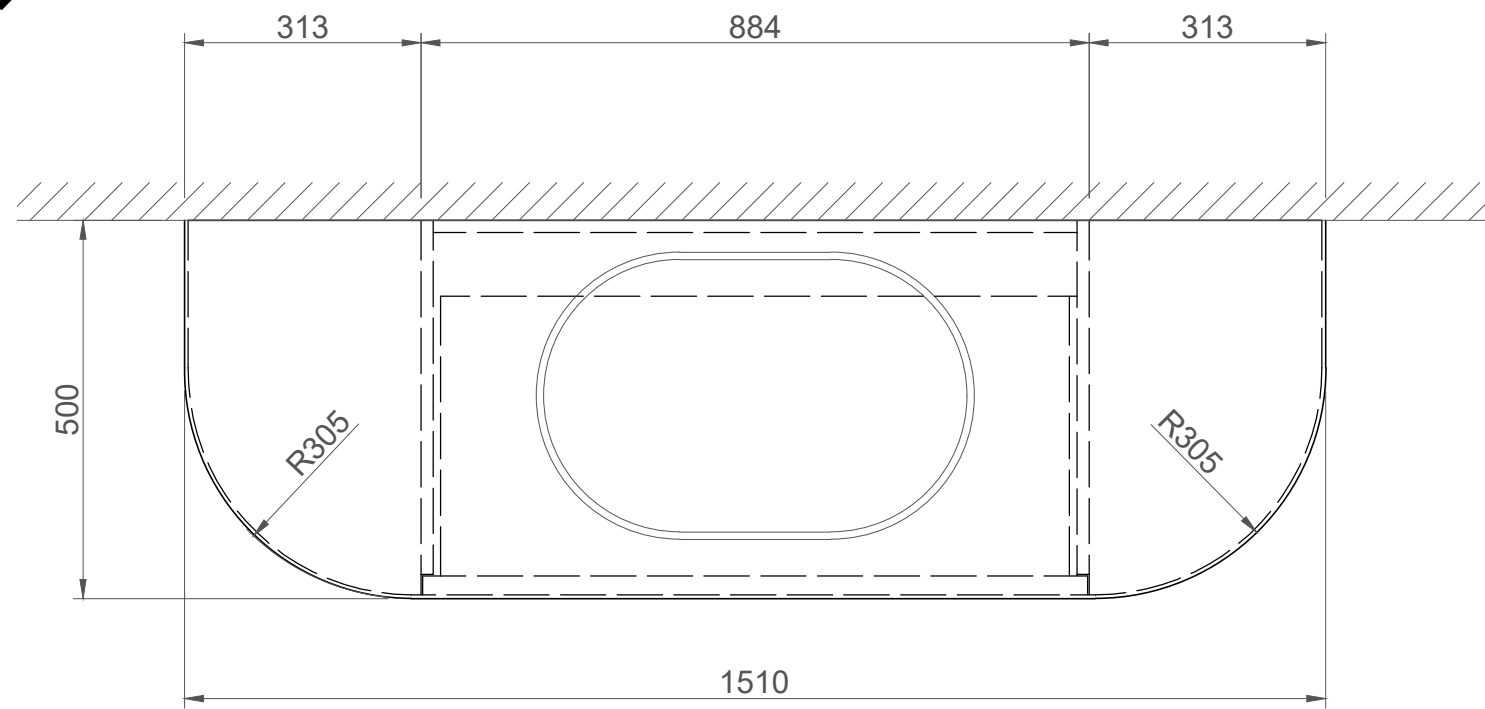


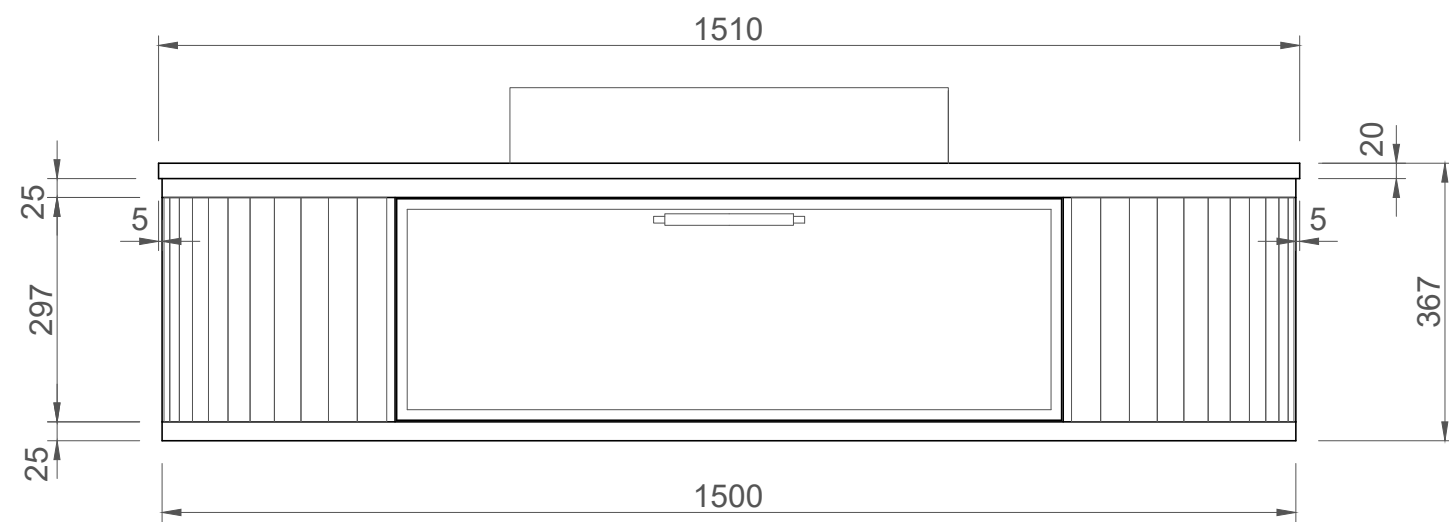


MIA VANITY TECHNICAL SPECIFICATIONS

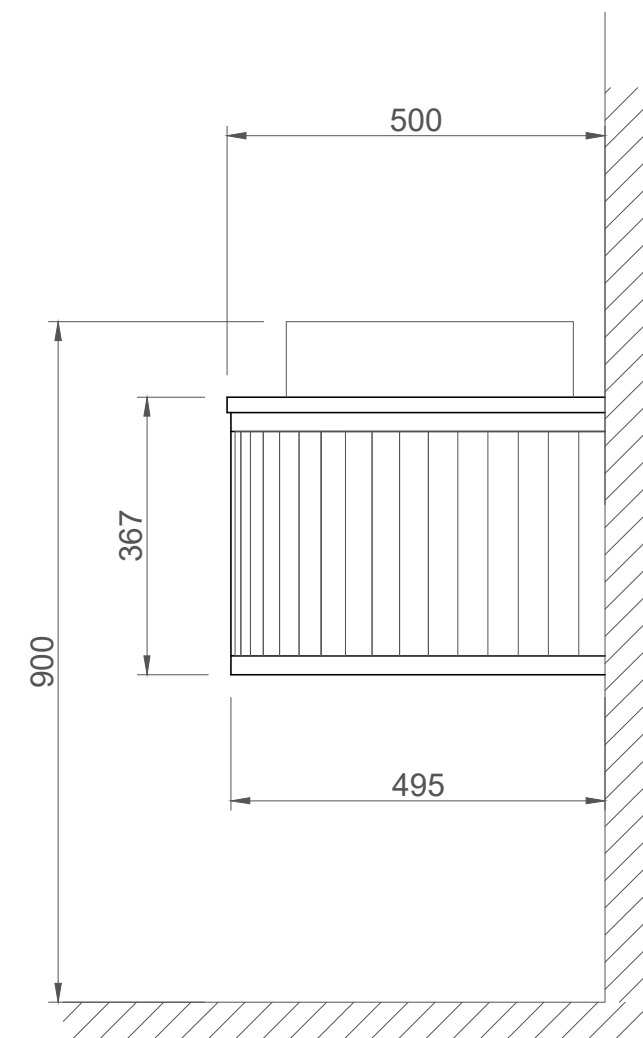


PLAN VIEW

* HÄFELE hardware and lighting



FRONT VIEW



SIDE VIEW