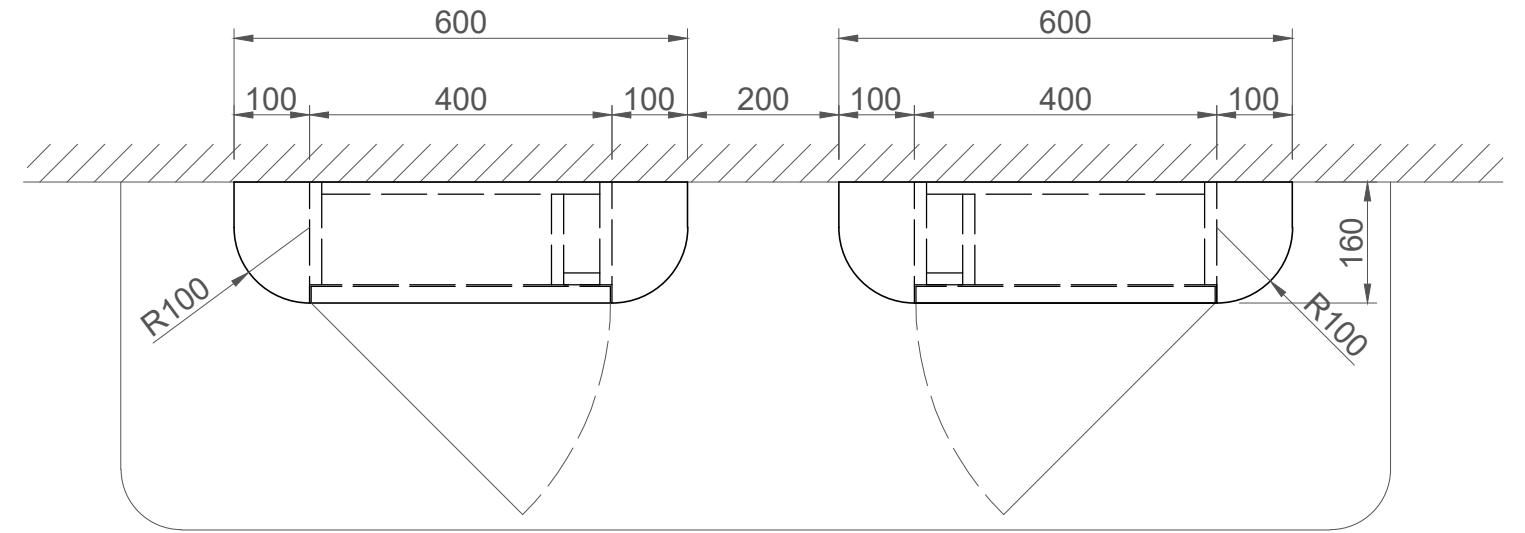
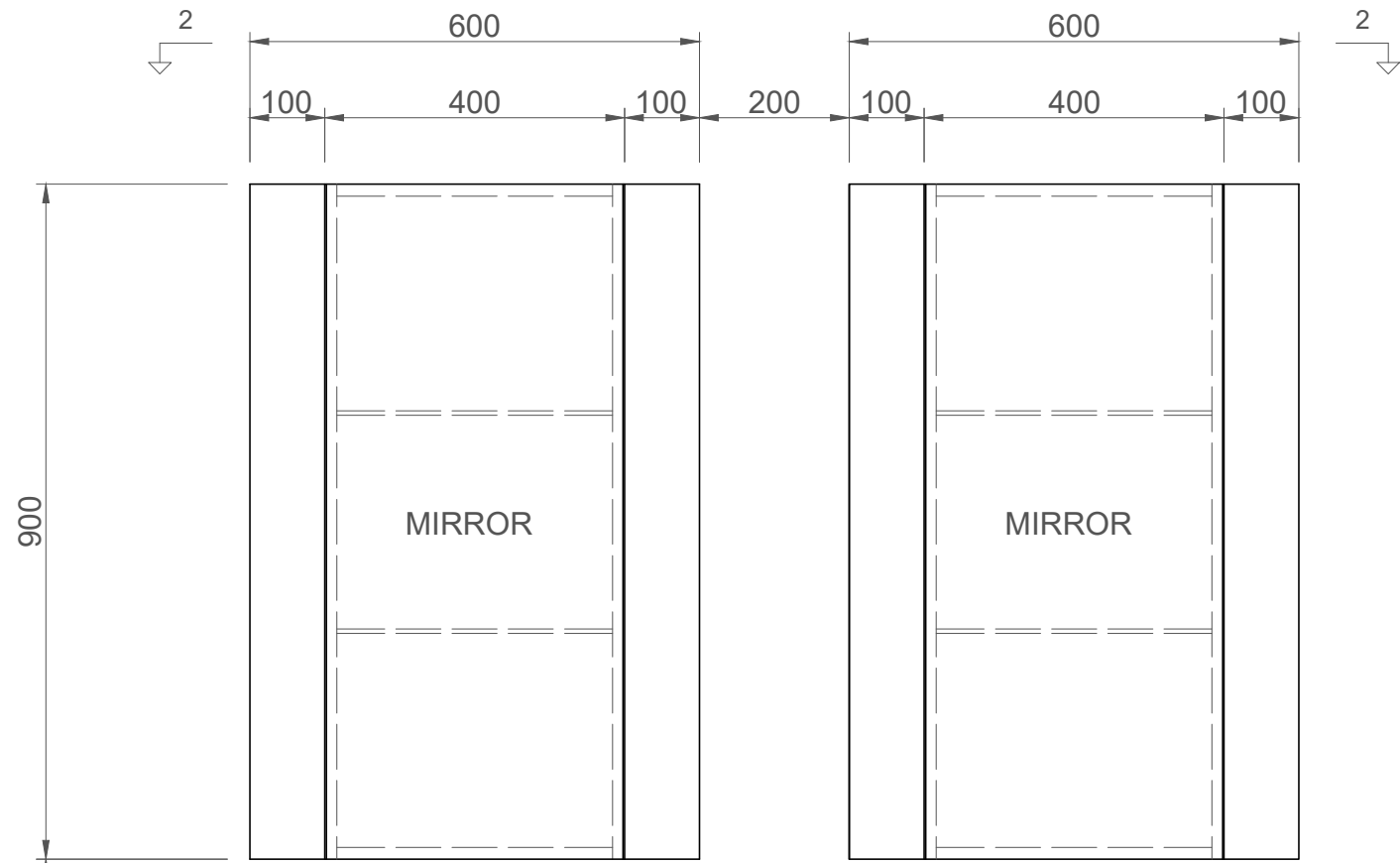
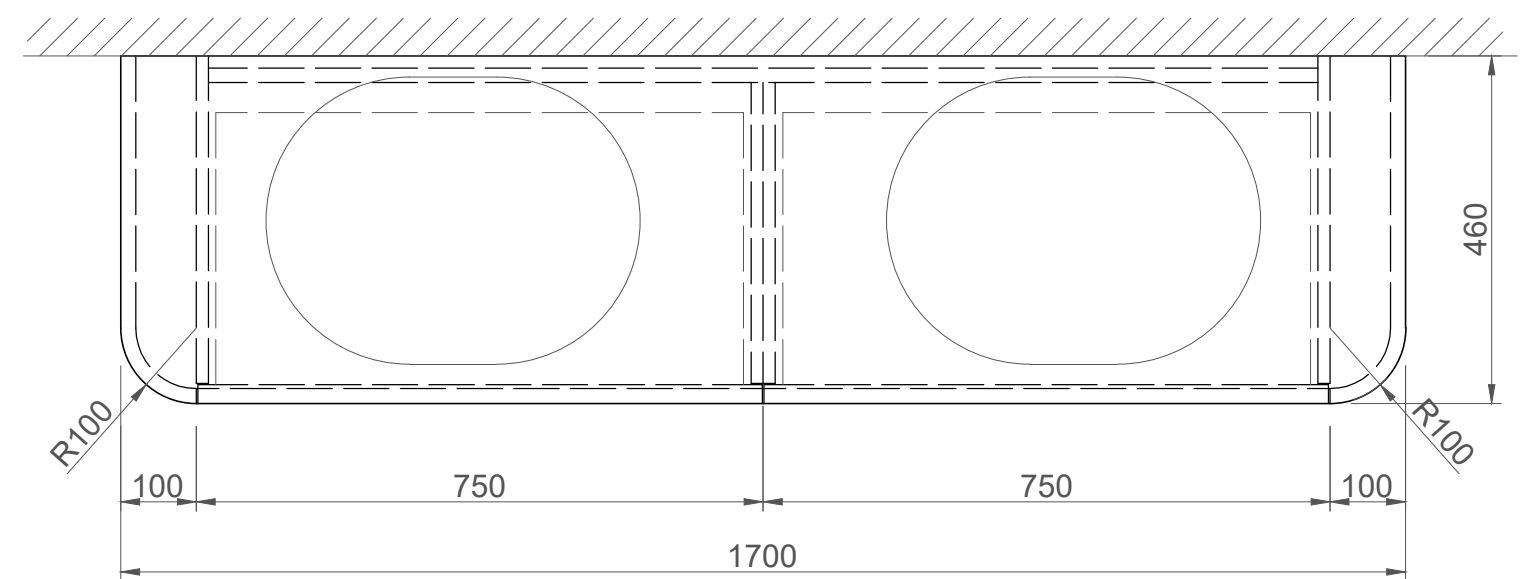
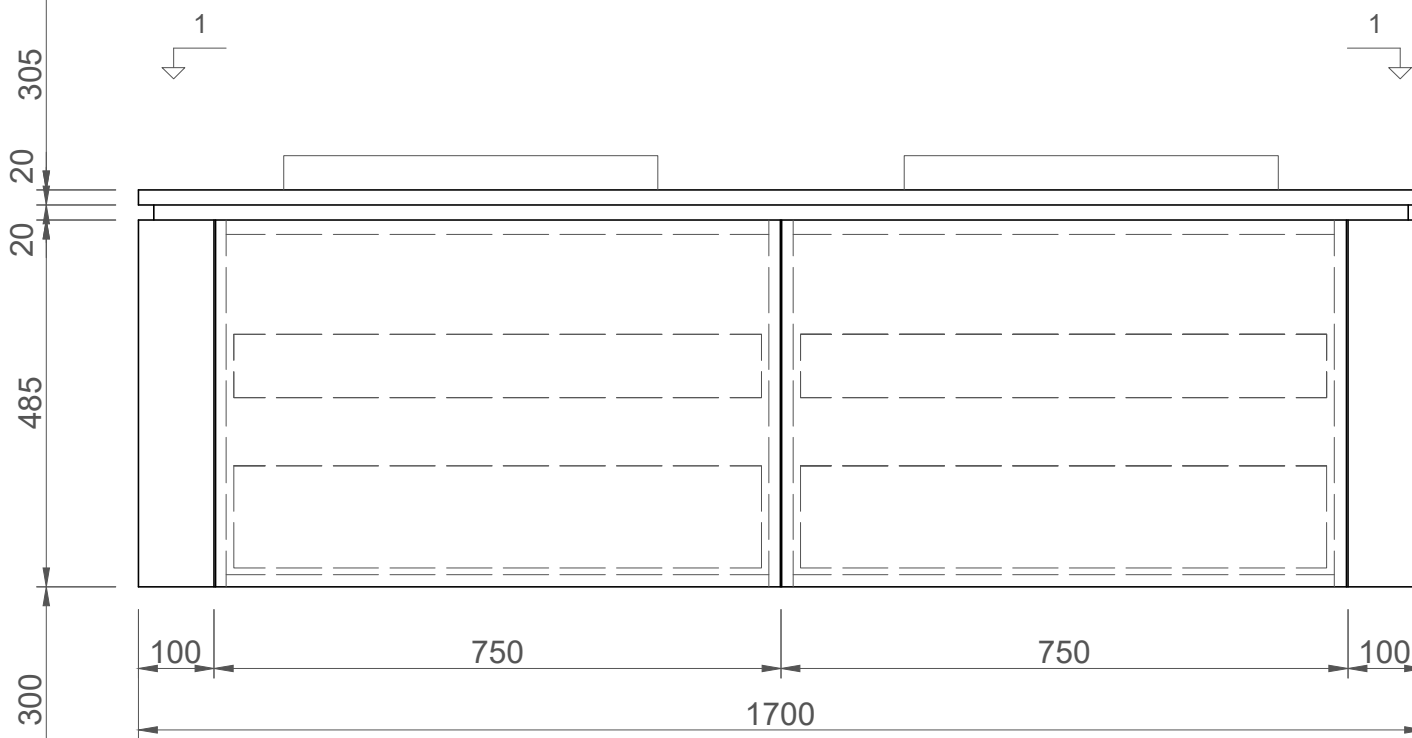




QUE DUSK VANITY TECHNICAL SPECIFICATIONS



* HÄFELE hardware and lighting



FRONT VIEW