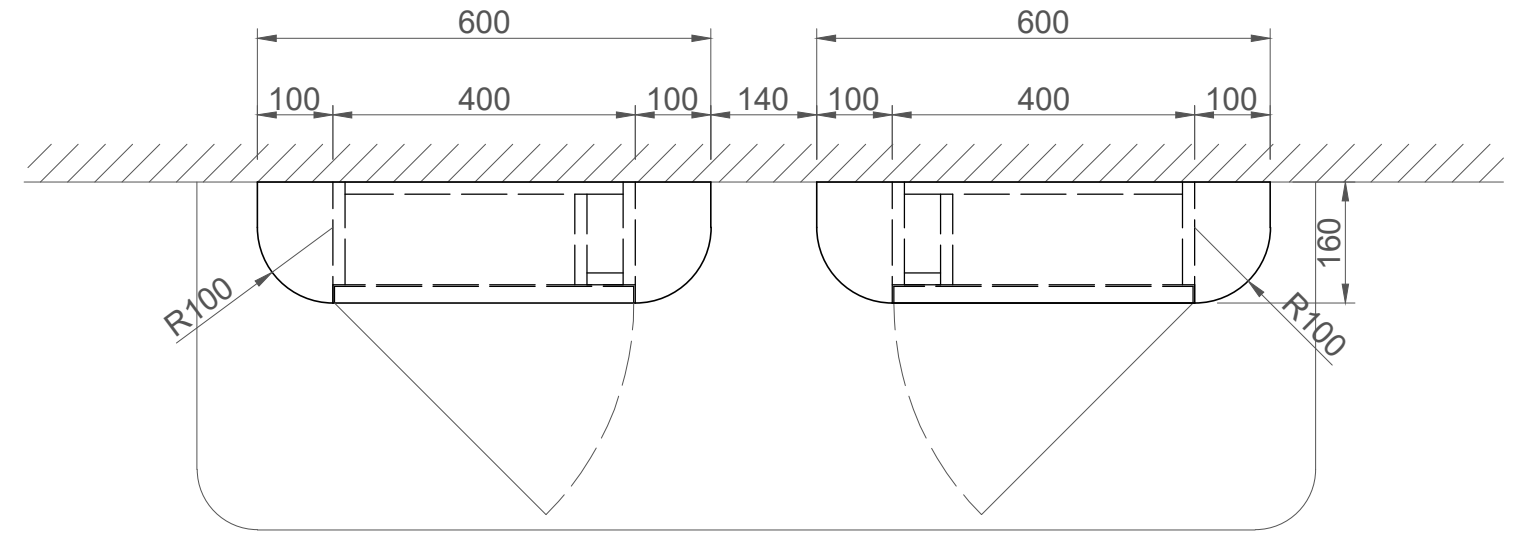
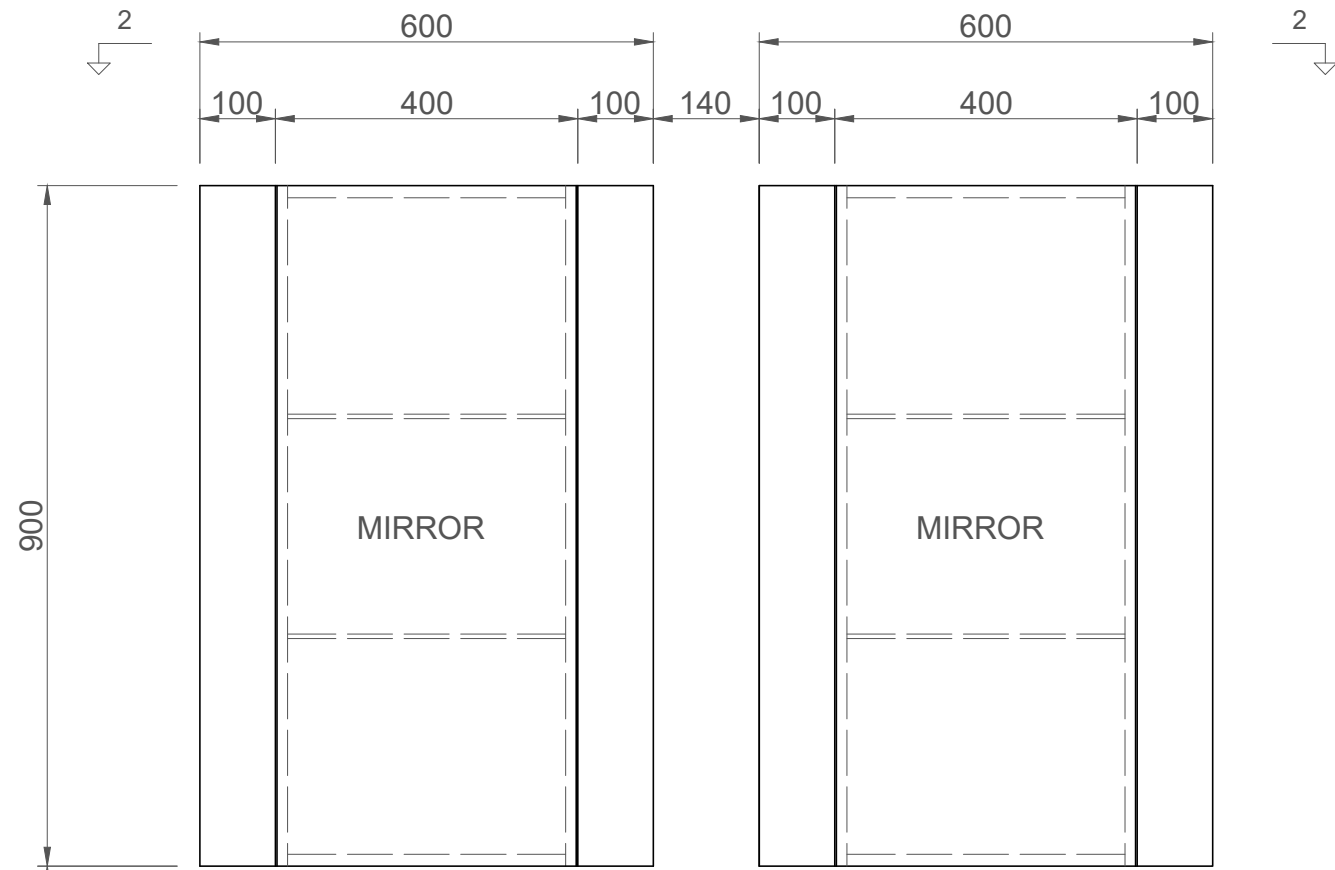
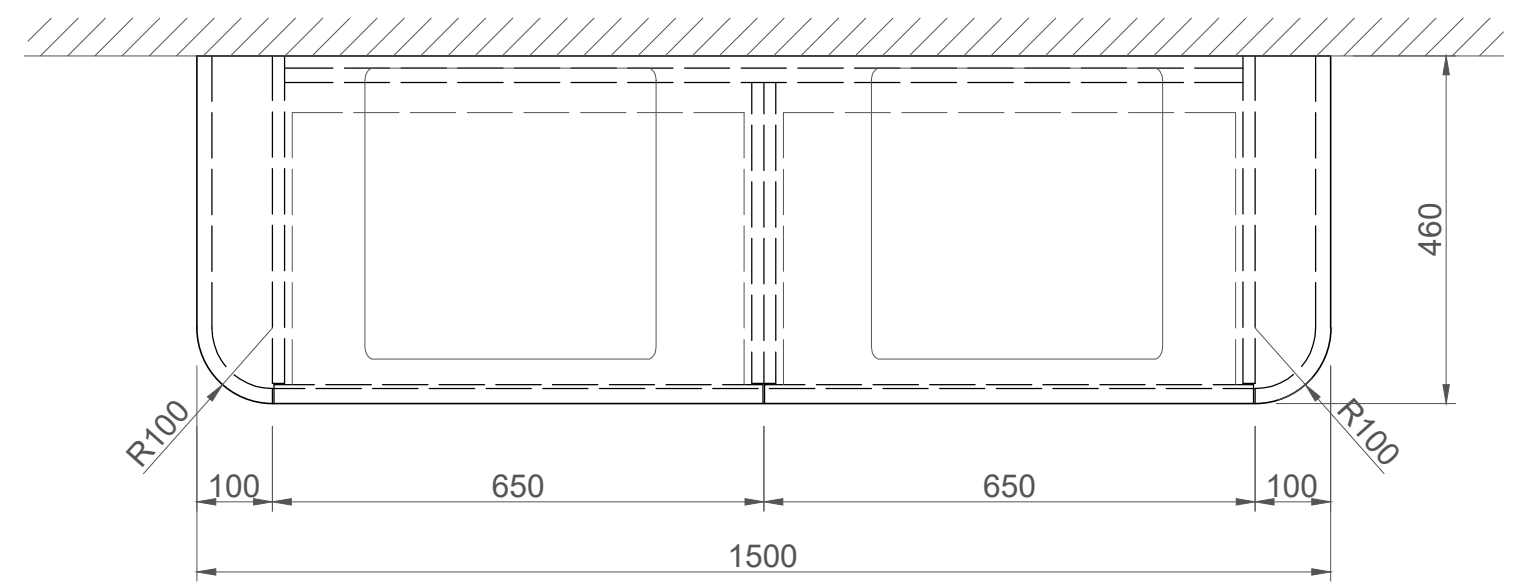
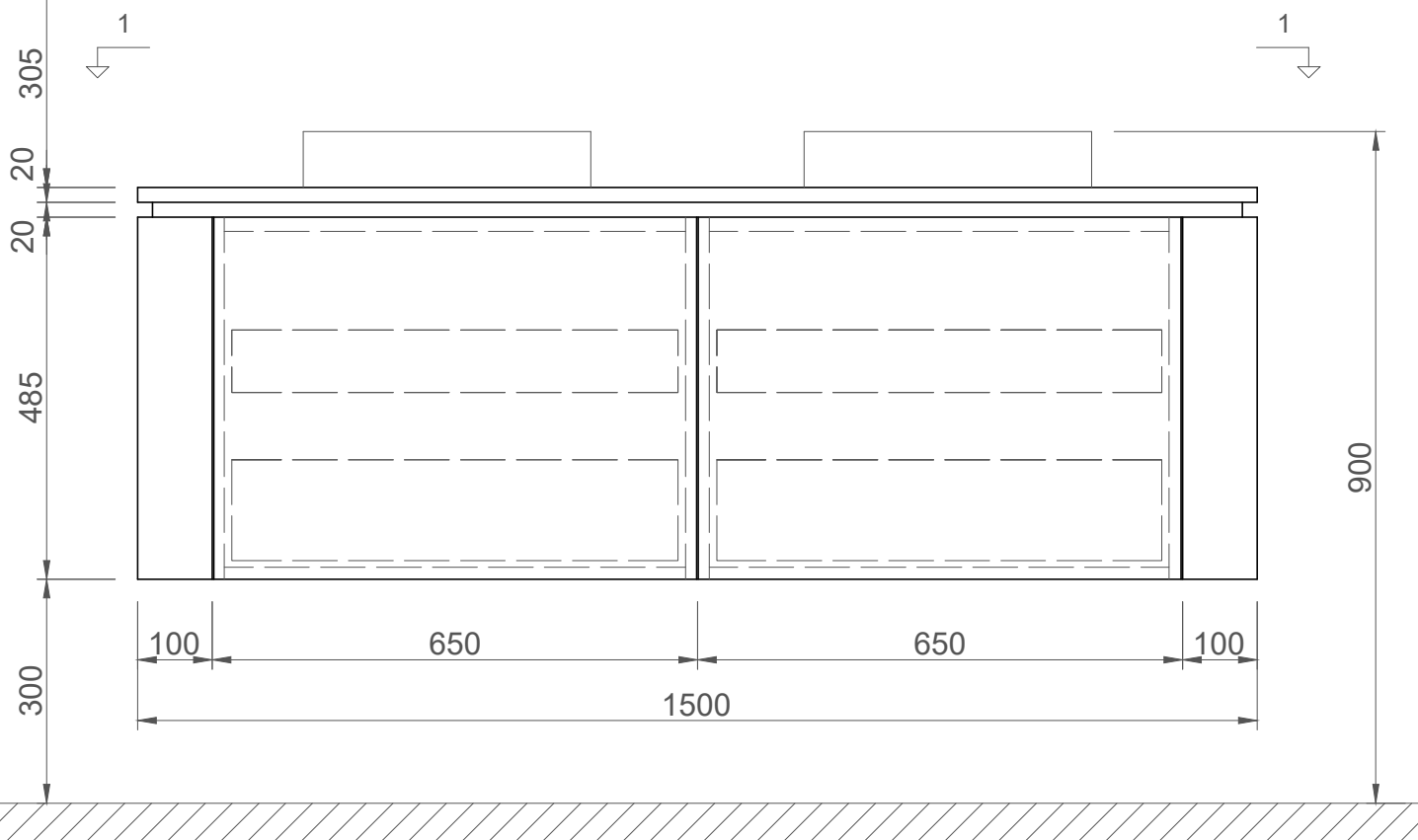




QUE DAWN VANITY TECHNICAL SPECIFICATIONS



* HÄFELE hardware and lighting



FRONT VIEW

1-1