

Project: \_\_\_\_\_  
 Part#: \_\_\_\_\_  
 Type: \_\_\_\_\_

# Center Basket Troffer

The EnVision LED Center Basket Troffer Series are different from standard troffer in the market. The PC housing makes it unique because it is light, doesn't get damaged or get dings in transit or at the job site, and provides a much cleaner and uniformed light distribution when lit. In addition, EnVision's troffer features a u-shaped heat sink inside in order to spread the beam distribution and give the fixture backlight. Retrofit existing fluorescent troffers used in drop ceilings, enjoy minimal power consumption, long lifespan, and bright illumination.

### Applications:

- Commercial Lighting
- Office Lighting
- Fluorescent Retrofitting
- Surface Mount, Recessed Lighting, T-Bar and Lay-in

### Product Information:

- Flicker-free 0-10V dimmable internal driver
- Up to 56% higher efficiency than fluorescent
- Emergency backup model allows for easy installation
- Single color temperature available: (3500k, 4000k, and 5000k)
- Variable color temperature & brightness model available: (switches between 3000k, 3500k, 4000k, 5000k)



**L E D - C B T -**    **Size**    **Watts**    **Color**    **Accessories**    **BMS**    **EMB**    **Warranty**

**1**    **2**    **3**    **4**    **5**    **6**    **7**    **8**

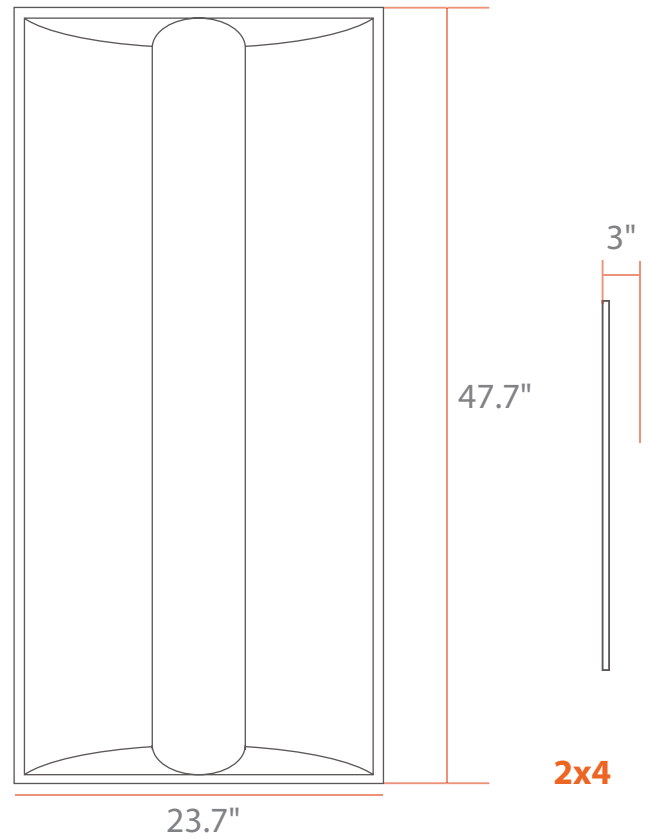
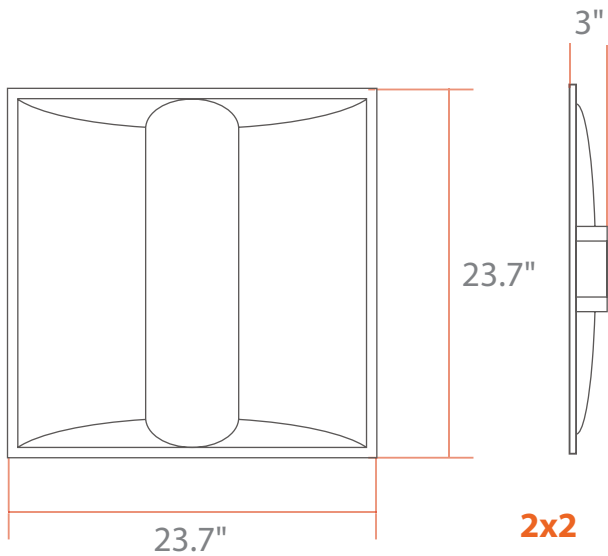
1 Product	2 Size	3 Watts	4 Color	5 Accessories	6 BMS	7 EMB	8 Warranty
LED-CBT	2x2 24" x 24" 2x4 24" x 48"	28W 28W, 3,640 lm (2x2 only) 35W 35W, 4,550 lm 50W 50W, 6,500 lm (2x4 only)	(Blank) Only if PC-CCT is chosen 3500K 4000K 5000K	(Blank) 2X2-SM-3.5" 2X4-SM-3.5" LED-PNL-2X2-FLNG 2X4-FLNG	None MS BMS	None Motion Sensor (Internal) Bi-Level Motion Sensor (Internal)	(Blank) None EMB Emergency Backup (90 Mins. Internal 15W) 10YR 10 Year
	PC-CCT	20/25/30/35W - 30/35/40/50K (For lumen output see below)	50K	LED-PNL-2X4-FLNG			

### PC-CCT Power & Lumens Ratings

2x2	2x4
20W : 2,600lm	35W : 3,640lm
25W : 3,250lm	40W : 5,200lm
30W : 3,900lm	45W : 5,850lm
35W : 4,550lm	50W : 6,500lm

Specs and model numbers are subject to change with or without notice

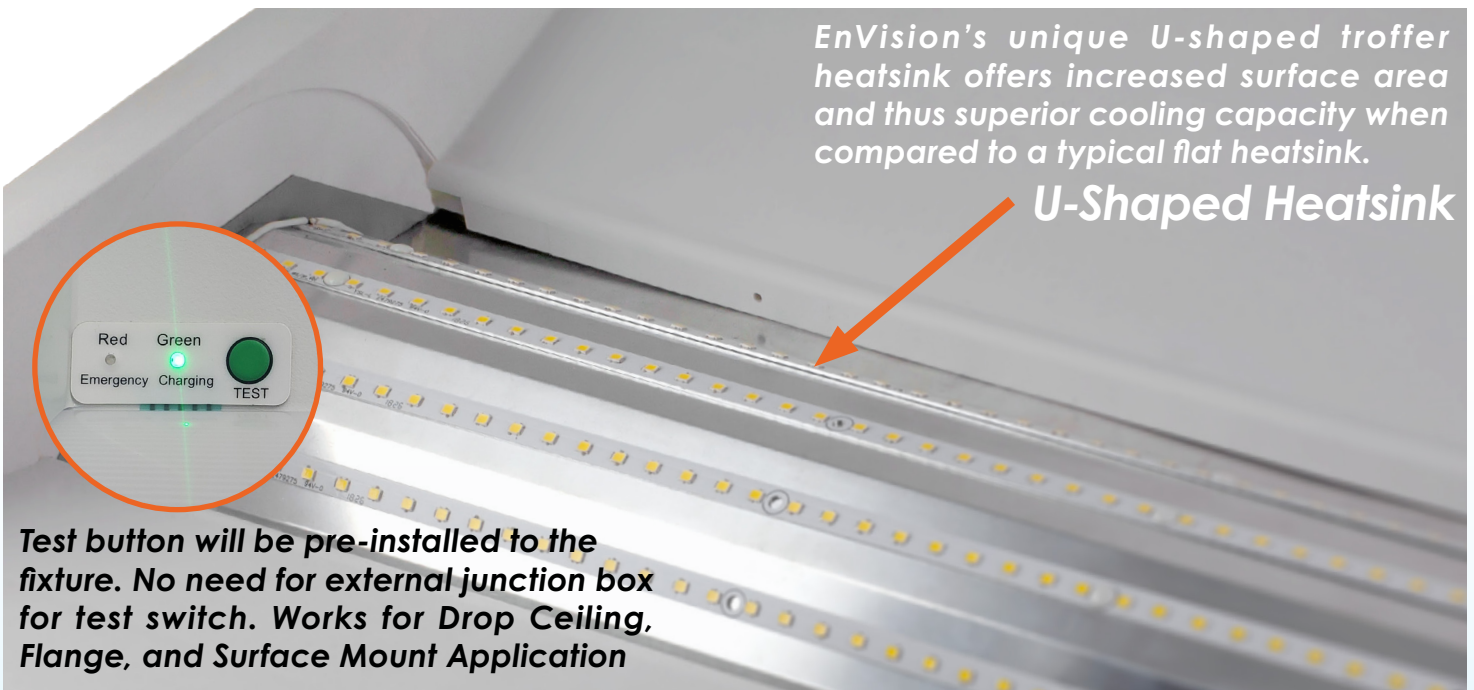
**DIMENSIONS**



**FEATURES**

EnVision's unique U-shaped troffer heatsink offers increased surface area and thus superior cooling capacity when compared to a typical flat heatsink.

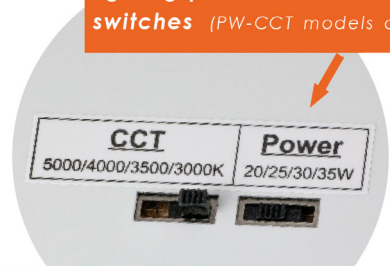
**U-Shaped Heatsink**



**Test button will be pre-installed to the fixture. No need for external junction box for test switch. Works for Drop Ceiling, Flange, and Surface Mount Application**

### ACCESSORIES

Easily change color temp. & lighting power with rear-side switches (PW-CCT models only)



Power & luminosity settings vary by size (2x2 shown)



**EMB**  
Emergency Backup Battery



**BMS**  
Bi-Level  
Motion Sensor



2x2



2x4

Surface Mount Frame  
(3.5" Height)



2x4



2x2

Flange Drywall Kit

### FIXTURE & ACCESSORY REFERENCE TABLE

Fixture Model	Voltage	Watts	Lumens	Color	CRI
LED-CBT-2X2-28W-50K-HL	120-277V	28w	3,640	5000K	>80
LED-CBT-2X2-28W-40K-HL	120-277V	28w	3,640	4000K	>80
LED-CBT-2X2-28W-35K-HL	120-277V	28w	3,640	3500K	>80
LED-CBT-2X2-35W-50K-HL	120-277V	35w	4,550	5000K	>80
LED-CBT-2X2-35W-40K-HL	120-277V	35w	4,550	4000K	>80
LED-CBT-2X2-35W-35K-HL	120-277V	35w	4,550	3500K	>80
LED-CBT-2X2-PC-CCT-HL	120-277V	20-40	Variable	Variable	>80
LED-CBT-2X4-35W-50K-HL	120-277V	35w	4,550	5000K	>80
LED-CBT-2X4-35W-40K-HL	120-277V	35w	4,550	4000K	>80
LED-CBT-2X4-35W-35K-HL	120-277V	35w	4,550	3500K	>80
LED-CBT-2X4-50W-50K-HL	120-277V	50w	6,500	5000K	>80
LED-CBT-2X4-50W-40K-HL	120-277V	50w	6,500	4000K	>80
LED-CBT-2X4-50W-35K-HL	120-277V	50w	6,500	3500K	>80
LED-CBT-2X4-PC-CCT-HL	120-277V	35-50	Variable	Variable	>80

Accessory Model	Description
LED-EMB-15W-LV	Emergency Backup Battery
2X2-SM-3.5"	2X2 Surface Mount Kit (3.5" Height)
2X4-SM-3.5"	2X4 Surface Mount Kit (3.5" Height)
LED-PNL-2X2-FLNG	2X2 Flange Mount Kit
LED-PNL-2X4-FLNG	2X4 Flange Mount Kit

5000k

4000k

3500k

3000k

### WIRING DIAGRAM

