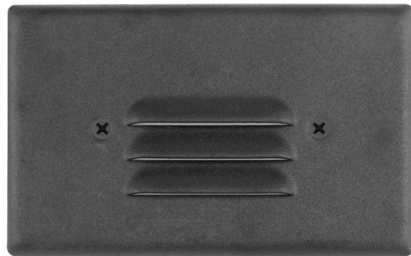




White/Louvre



Bronze/Flat Frosted



Black/Horizontal Louvre

## LED Step Lights

EnVision LED's new Step Lights are available in 3 different color temperatures, 3 different finishes, and 3 different face plates. Included in the box is 3 face plates the end user may choose from a vertical or horizontal angled louvre or a flat frosted lens. Stocking distributors can enjoy the ease of stocking one item that fits the needs of several different applications.

### Applications:

- Stairway Lighting
- Outdoor Lighting
- Walking Path Lighting

### Product Information:

- Available in white, bronze, or black finish
- Rated for indoor and outdoor use (IP67)
- 3 faceplates included in the box: horizontal angled louvre, vertical angled louvre, and flat frosted lens
- Face plate material- Powder coated pressed metal
- Face plate material- Press to form design
- Junction box not included

**LED-STEP-AGL-2W- Color - Finish - Warranty**

1
2
3
4
5

1 Product	2 Watts	3 Color	4 Finish	5 Warranty
LED-STEP-AGL	2W 150 lm	27K 2700K 30K 3000K 40K 4000K	WH White BZ Bronze BLK Black	5YR 5 Years (incl.) 10YR 10 Years

*Specs and model numbers are subject to change with or without notice*

**FACEPLATES**



**White**



**Black**



**Bronze**

**FEATURES**



**Frosted PC  
Diffuser Lens**

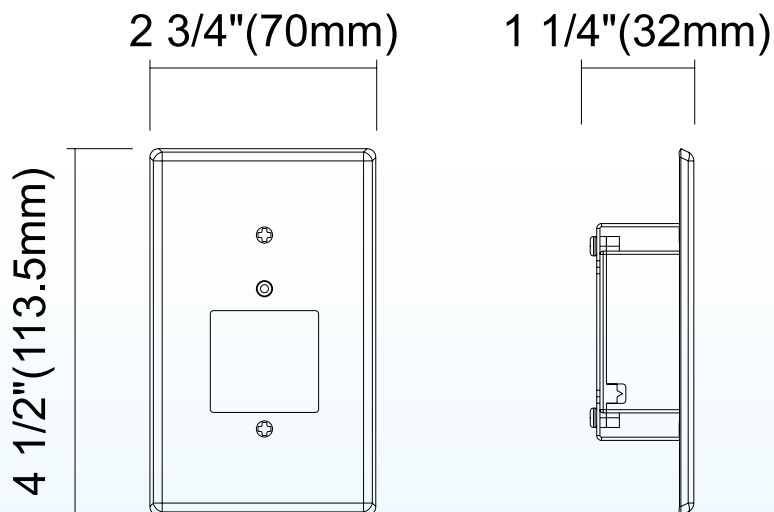
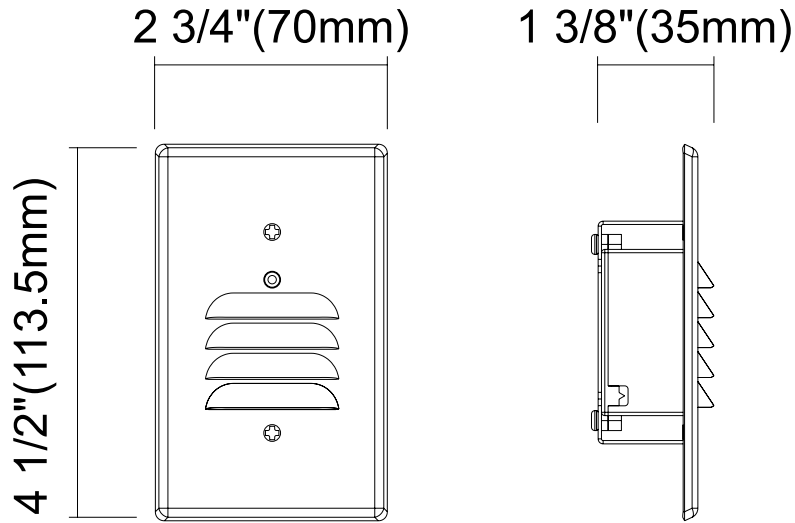
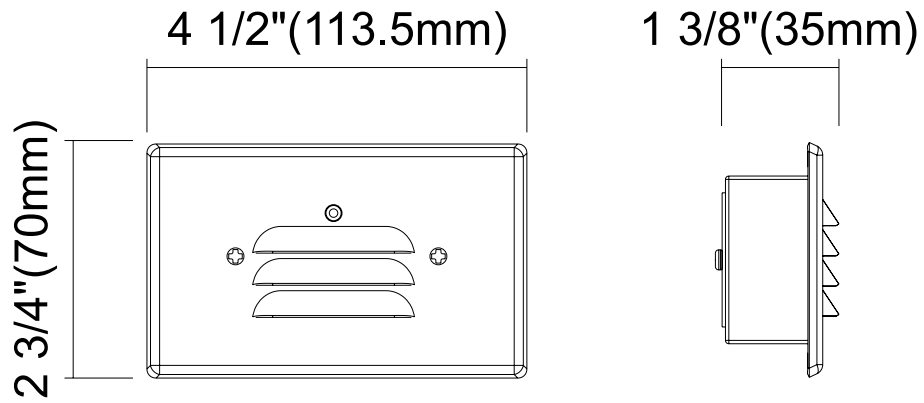


**Integrated  
AC Driver**

**Weather  
Resistant**



**DIMENSIONS**



**FEATURES**

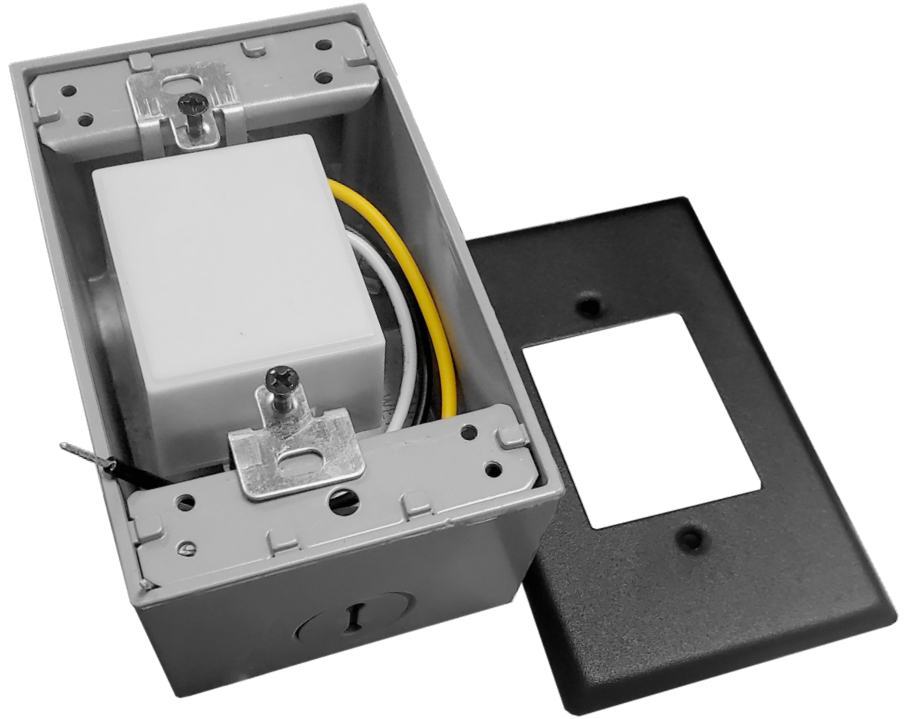
**Width:** 2 - 2 3/4"  
**Height:** 4 - 4 1/2"  
**Depth:** 2 - 2 5/8"

**Copper-Free Aluminum**

Die cast copper-free aluminum with a grey finish. Ground screw, lugs and two closure pins included and installed.

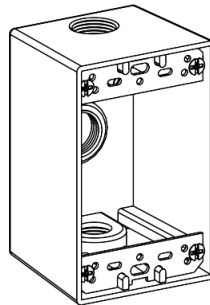
**Retail Shelf Packaging**

Individually shrink-warped with barcode.

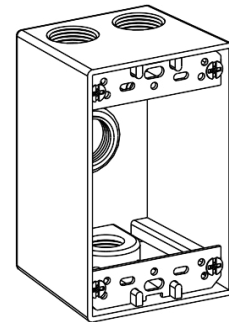


**Recommended J-Box (Not Included)**

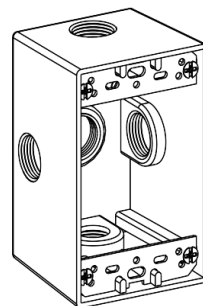
Model #	Outlet Holes	Hole Size	Cu. Inch	Std. Pkg.
1DB50-3	3	1/2"	23.8	12
1DB50-4	4	1/2"	23.8	12
1DB50-5X	5	1/2"	23.8	12
1DB75-3	3	3/4"	23.8	12
1DB75-4	4	3/4"	23.8	12
1DB75-7X	5	3/4"	23.8	12
1DB100-3	3	1"	23.8	12
1DB100-5X	5	1"	23.8	12



1DB50-3  
1DB75-3  
1DB100-3



1DB50-4  
1DB75-4



1DB50-5X  
1DB75-5X  
1DB100-5X