

# Installation Instructions

## GENERAL INFORMATION:

1. All instructions should be read carefully to reduce any kind of risk.
2. These luminaires are intended for installation by a qualified electrician in accordance with the National Electrical Code and local regulations.
3. Please check the integrity of the product upon removal from packaging.
4. Please make sure the driver supply wiring is of adequate length and rating. Avoid any tension.

## RISK OF ELECTRICAL SHOCK:

1. Before wiring the fixture with the power supply, turn off electrical power at fuse or circuit breaker (CB) Box.
2. Check for the input and output ratings on the fixture label and make sure to use the correct supply voltage.
3. Observe proper polarity when connecting power to driver. Unit must be grounded as per code.

**L= Input Line or Hot, N= Neutral**

4. All connections should be according to NEC or any applicable local code.

## RISK OF INJURY:

1. Wear gloves and safety glasses every time when working with luminaire for installing, servicing or performing maintenance.
2. Direct eye contact should be avoided from the light source when it is on.
3. Dispose/destroy all small parts and packaging material, as these can be hazardous to children.

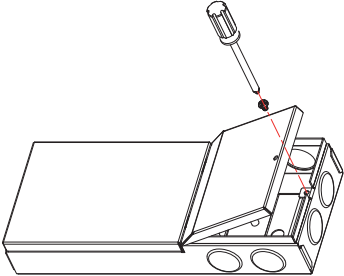
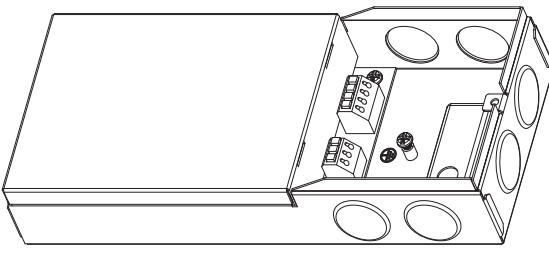
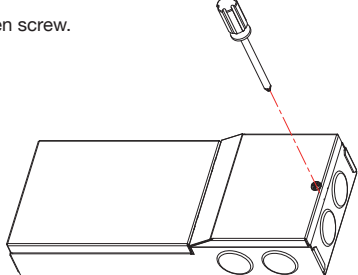
## RISK OF FIRE:

1. Minimum 194° F supply conductors
2. Keep combustible and flammable material away from luminaire and lamp/lens.

While dimming lower than 5% (with 3% tolerance), the synchronous dimming difference phenomenon is affected by difference of wire or amount of load, which is uncontrollable.

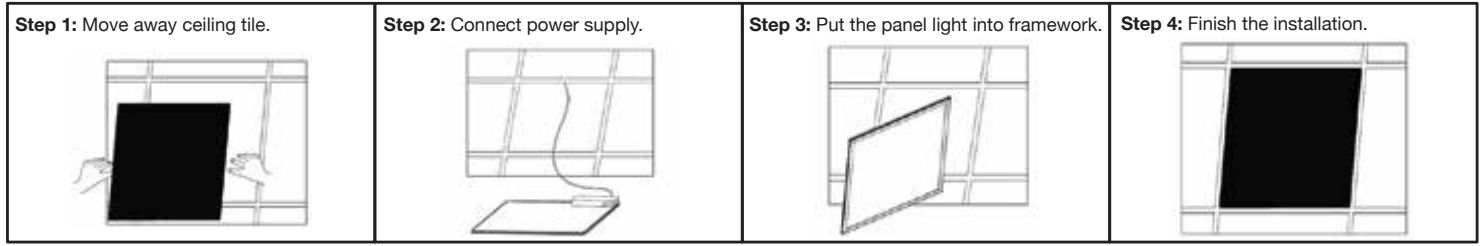
## INSTALLATION INSTRUCTIONS

### Wiring the Driver

<p><b>STEP 1</b> Open the cover of junction box with Philips screwdriver.</p> 	<p><b>STEP 2</b> Remove round knock-out and connect conduit to wiring box with proper connectors: Press the binding post with straight screwdriver, insert the wire and secure plate. For AC input, connect neutral wire (white) to AC-N, Live wire (Black) to AC-L and ground wire (Green) to the screw wire. For 0-10V dimmer wiring: Connect the dimmer + wire to the Dim +, connect the dimmer - wire to the DIM -.</p> 
<p><b>STEP 3</b> Put the cover back and tighten screw.</p> 	

# Installation Instructions

## RECESSED INSTALLATION IN SUSPENDED GRID CEILING



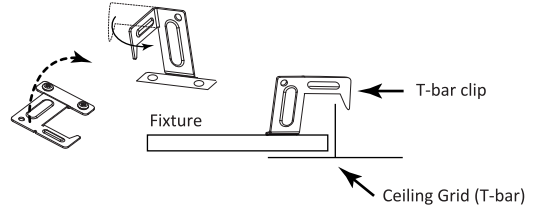
T-bar clips should be bent out to provide additional safety and support.  
Additional support may be required by local or national codes.

Hole provided may be used to further secure fixture from above.

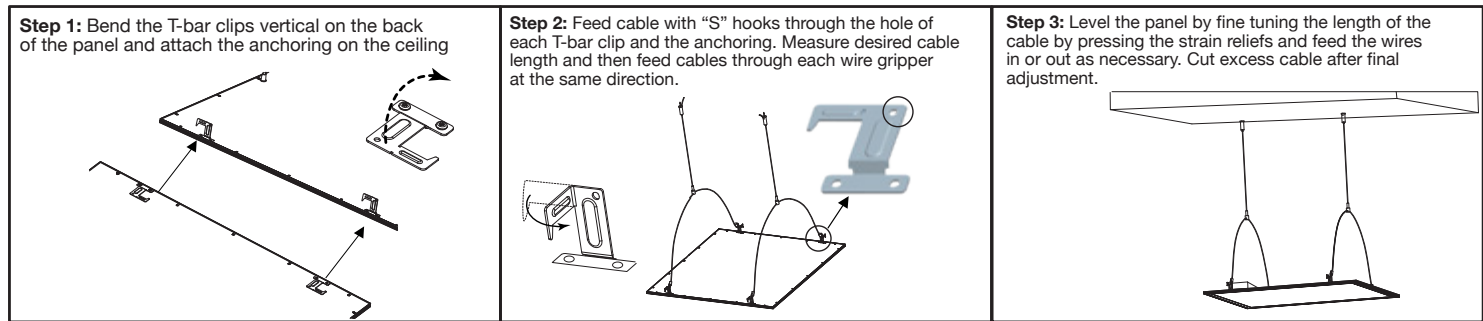
Notes:

Secure to grid per state and local codes.

Ceiling grid must adequately support weight of fixture.

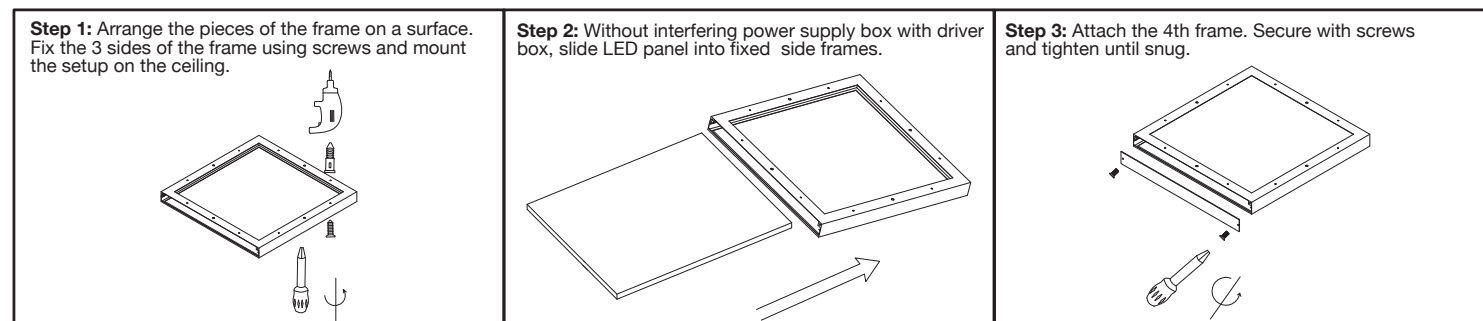


## OPTIONAL PENDANT MOUNT INSTALLATION



\* Mounting hardware optional

## OPTIONAL SURFACE MOUNT INSTALLATION



Do not dispose of electrical appliances as unsorted municipal waste, use separate collection facilities. Contact your local government for information regarding the collection systems available. If electrical appliances are disposed of in landfills or dumps, hazardous substances can leak into the groundwater and get into the food chain, damaging your health and well-being.

