

Watt & CCT Selection

2X2 WATT

35W 30W 20W

Pre-Set: 35W

2X4 WATT

50W 40W 30W

Pre-Set: 50W

WATT Adjustable

2x2 size: 20W/30W/35W (Pre set 35W)
2x4 size: 30W/40W/50W (Pre set 50W)

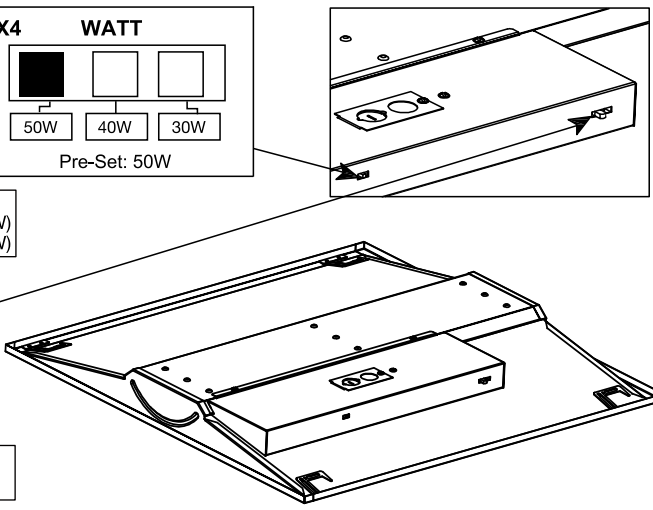
CCT

5000K 4000K 3500K 3000K

Pre-Set CCT: 4000K

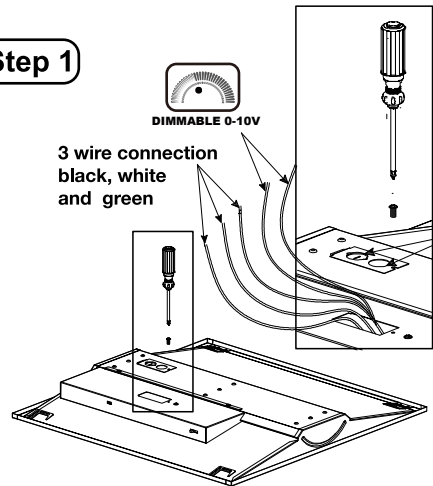
CCT Adjustable

3000K - 3500K - 4000K - 5000K



T-Grid Ceiling Installation

Step 1



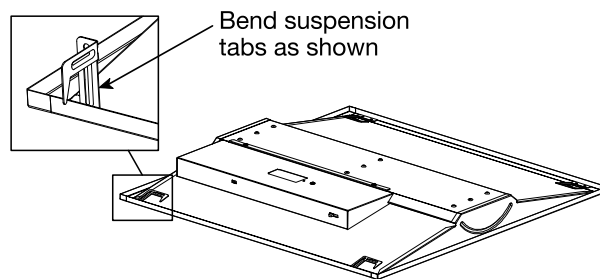
Power Leads Connection
Remove screw holding access cover plate and remove the necessary knockout

Knock Out

3 wire connection
black, white and green

DIMMABLE 0-10V

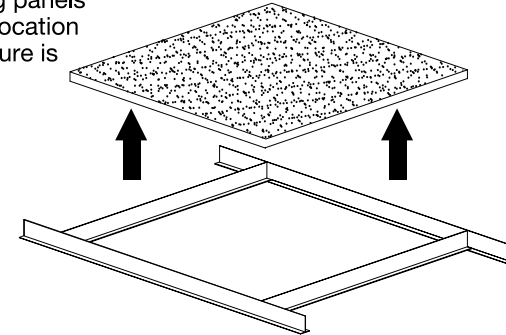
Step 2



Bend suspension tabs as shown

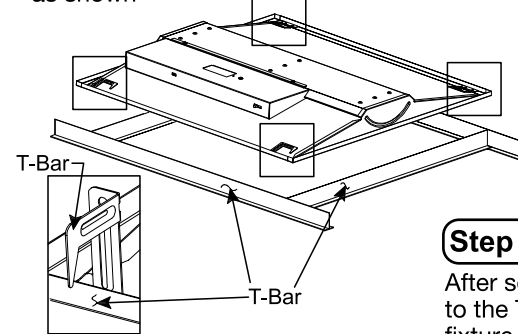
Step 3

Remove the ceiling panels at an appropriate location where the light fixture is to be placed.



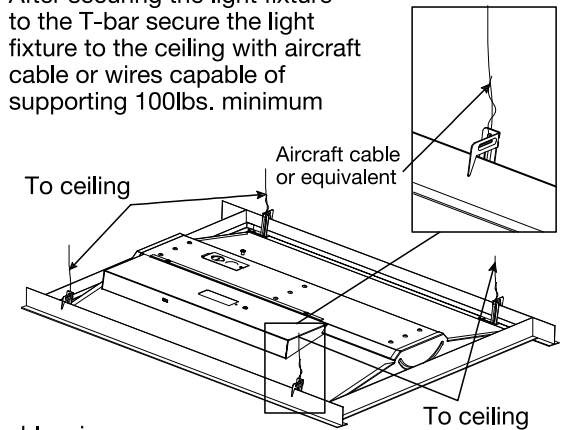
Step 4

Set light fixture into the suspension with tabs. Hang over the T-bar as shown



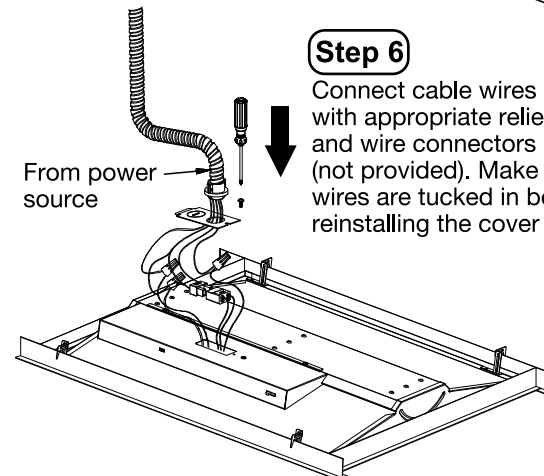
Step 5

After securing the light fixture to the T-bar secure the light fixture to the ceiling with aircraft cable or wires capable of supporting 100lbs. minimum



Step 6

Connect cable wires with appropriate relief strain and wire connectors (not provided). Make sure all wires are tucked in before reinstalling the cover plate.



USE WIRE NUTS TO COVER UNUSED WIRES