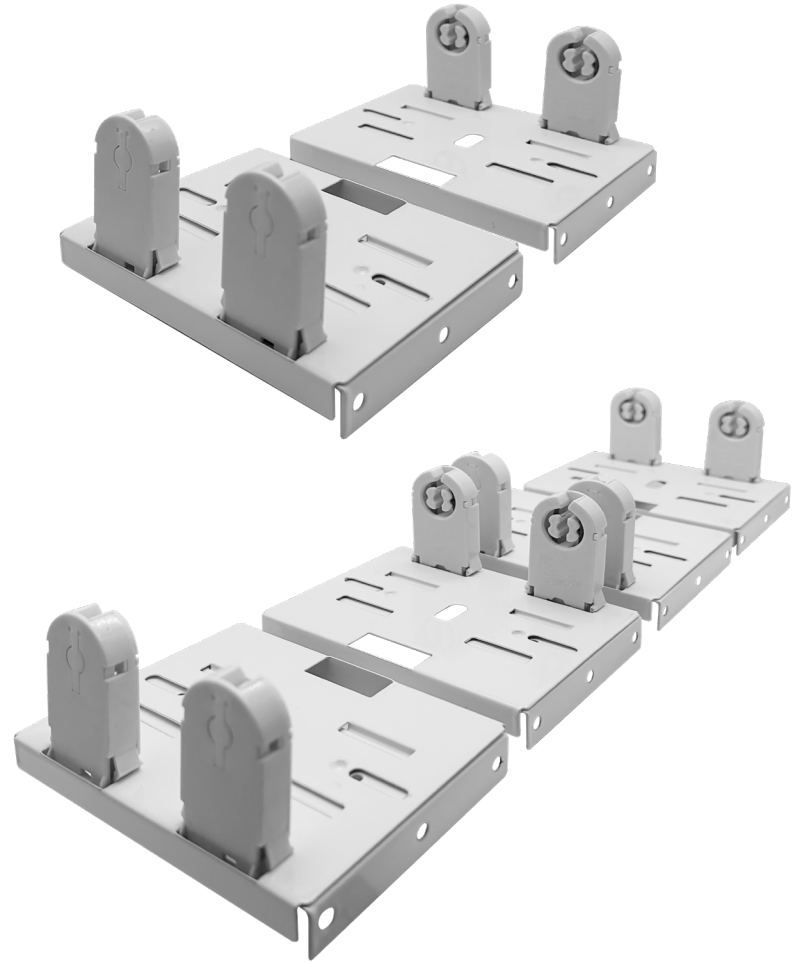


# T8 8' to 4' Kit



**Detail Specifications:**

- Convert 8ft. fixture with 8ft. tubes with 4ft. LED T8 tubes in an existing fixture.
- Designed to fasten on the existing 8ft. long body
- Width can be adjusted from 4" to 5" width
- 120-277V

**Applications:**

- Warehouse lighting
- Parking lot lighting
- Commercial lighting

**Product Information:**

- Includes 2 end plates (White finish)
- Includes 2 center plates (White finish)
- Includes 8 shunted sockets for bi-pin T8 tubes
- Rewire direct to AC power with single sided connection

**Wiring Options:**

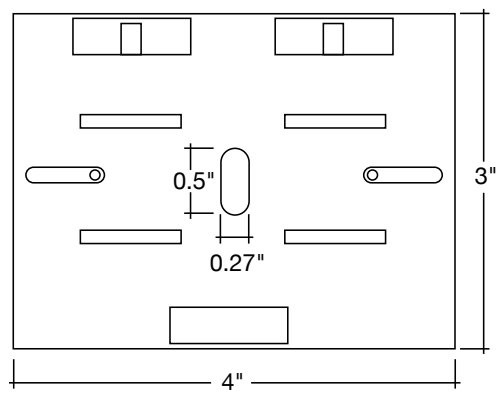
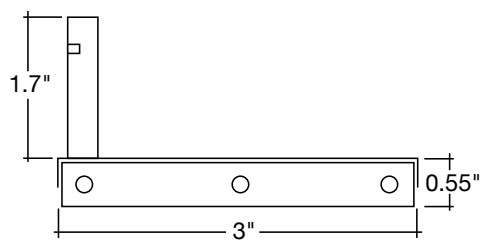
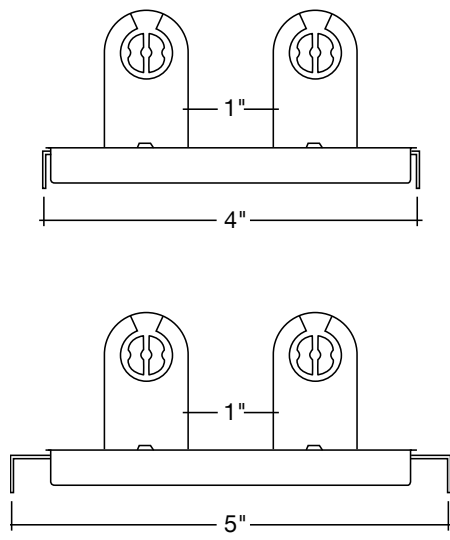
•

**Mounting & Installation:**

•

**Certifications:**

•



Series  
**T8-CONV-8FT-4FT**

*Specs and model numbers are subject to change with or without notice*