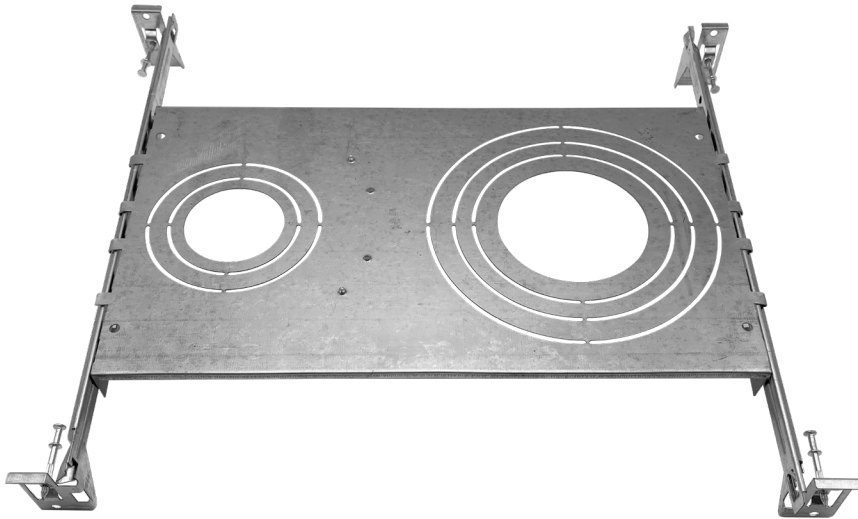


# Universal Mounting Plate



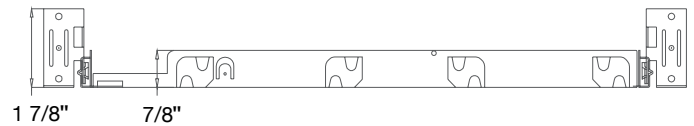
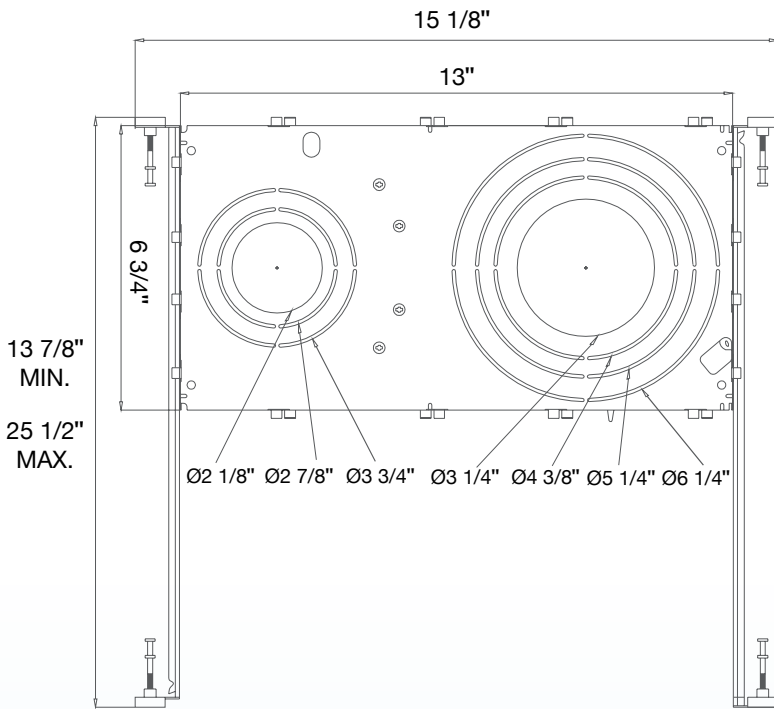
The Envision LED universal mounting plate, fits 1", 2", 3", 3.5" 4", 5" and 6" recessed light kits and is the perfect choice for new construction and remodeling. Each mounting plate come with 2 hanger bars which can extend from 13.5" to 25.5" and a plate that can slide along the bars from end to end. Made of durable metal so you can be sure your recessed lighting is secure.

**Applications:**

- For use with "C" style remodel housing

**Product Information:**

- 1" COB module downlight, 2" gimbal
- 2" floating gimbal, 1" trimless
- 2" COB module downlight, 3" gimbal
- 2" trimless downlight
- 3.5" regressed gimbal & fix downlight
- 4" COB module downlight
- 3" slimpanel, 3" SMD module downlight
- 3" trimless gimbal
- 3.5" round trimless downlight
- 4" slim panel, 4" SMD module downlight
- 4" elbow, 4" SMD module downlight
- 5" slim panel, 5" COB module downlight
- 6" slim panel, 6" COB module downlight



**C4-NC-ICAT-7H**  
 Universal Mounting Plate

*Specs and model numbers are subject to change with or without notice. Customization of product is available.*