

# Slim-Line: Round Canopy Fixtures

## 3-CCT & 3-Power Selectable



### Detail Specification:

- Finish: White or Bronze
- IP Rating: Wet Location (IP65)
- Beam Angle: 150°
- Chip: SMD 2835, R9 >50, CRI >80
- 3 Step MacAdam Ellipses
- Operating Temperature: -4° - 124° F
- Lens: Clear Ribbed
- Average life (L70) of 50,000 hours

### Applications:

- Utility & Storage
- Garage & Parking Structures
- Dock and loading
- Soffits
- Outdoor corridor
- Commercial and Industrial

### Product Information:

- Sturdy die-cast aluminum housing finished with corrosion free powder coat
- Four 1/2" knockouts: 1 one each side for convenient installation
- Twist-C Technology
- Select-N-Switch Technology

### Driver Options:

- UNV: 120-277V 0-10V Dimmable
- THD: <15% (±5% tolerance), PF >0.9, 50/60Hz
- Isolated Driver
- Flicker Free

### Mounting & Installation:

- 30 or 40 J-Box Surface Mount
- 3/4" Pendant Mount

### Certifications:

- UL Listed for USA and CA
- DLC Listed
- Approved for CA T24
- 5 Year Limited Warranty
- FCC CFR 47, GCC Part 15, Subpart B:2017

WATT	LUMENS
22	3,190
30	4,350
38.5	5,582
47	6,815
55	7,975
60	8,700
70	10,150
80	11,600
90	13,050
100	14,500



Motion Sensor



HB03R

Remote Control

### Series

**LED-RCP -**

Round Slim  
Canopy Light

### Wattage

**5P55**  
22/30/38.5/47/55W  
120-277V  
**5P100**  
60/70/80/90/100W  
120-277V

### CCT

**- TRI**  
30/40/50K

### EMB

**(Blank)**  
No Emergency  
Back-Up  
**EMB**  
90 Min.  
Emergency  
Back-up

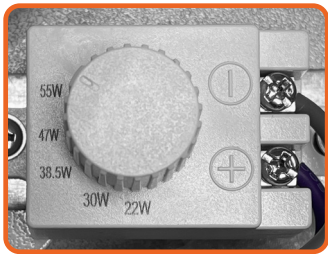
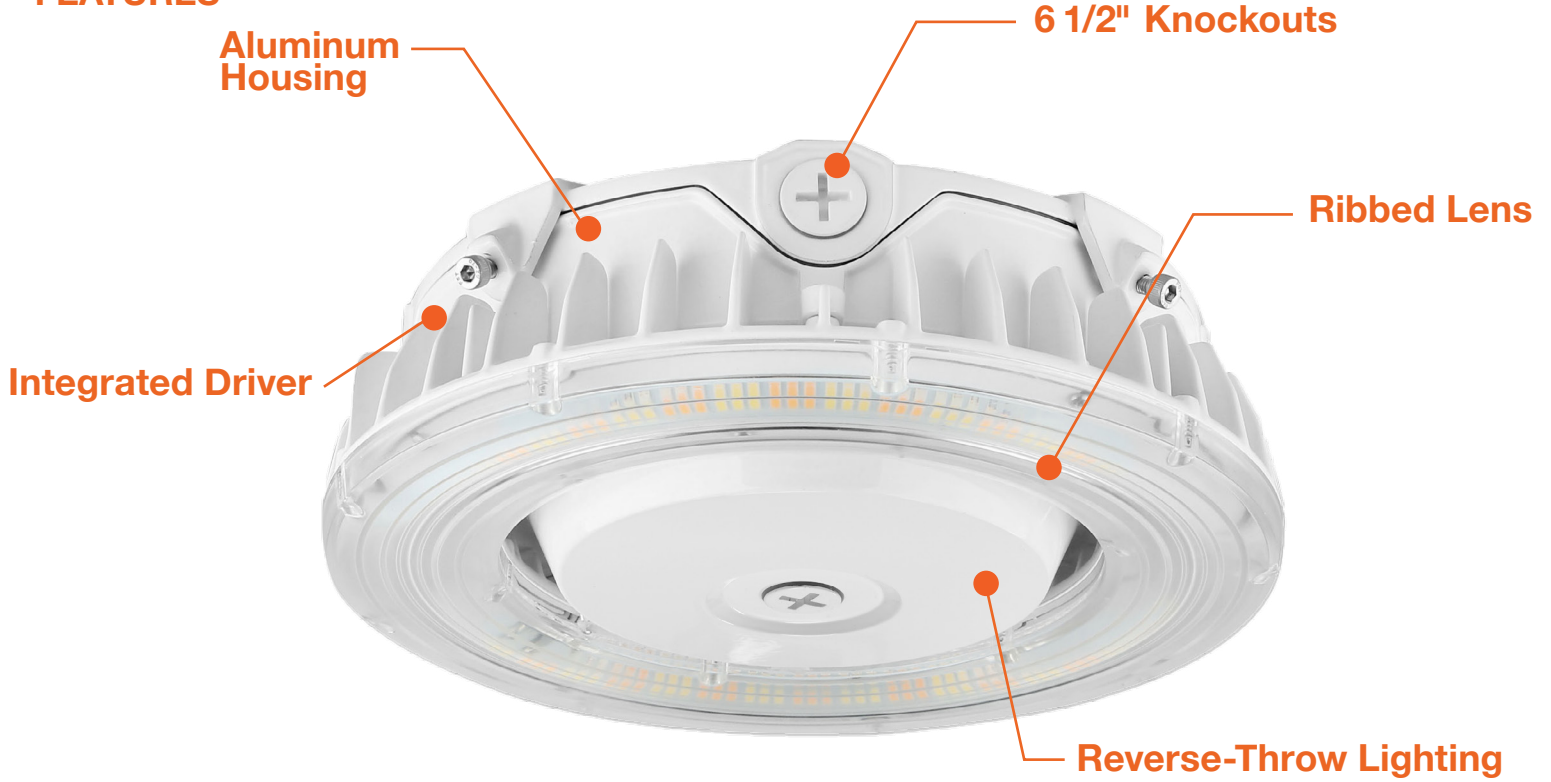
### Optional Accessories (Order Separately)

#### Sensor Remote

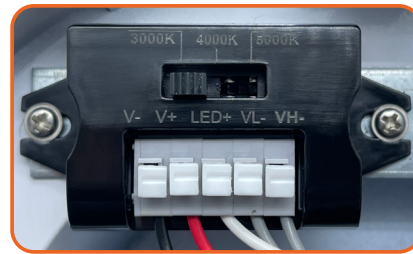
**HB01DMS-A**  
Bi-Level Motion + Day-  
light Sensor  
**HB03R**  
Remote for HB01DMS-A

Specs and model numbers are subject to change with or without notice.

**FEATURES**

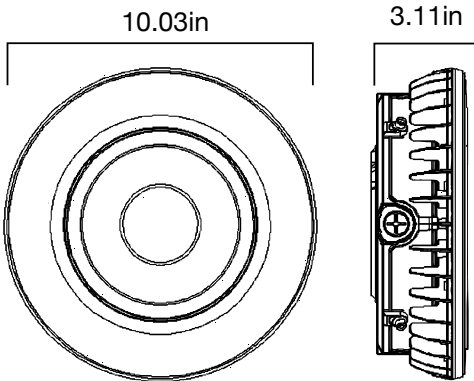


**Watt Selectable-5**  
Select between 5 different wattages



**CCT Selectable-3**  
Select between 3 different colors

**DIMENSIONS**



**HB03R**  
Controller



**HB01DMS-A**  
Sensor

Model	Voltage	Watts	Lumens	Color	CRI
LED-RCP-5P55W-TRI-WH	120-277V	22/30/38.5/47/55w	145lm/w	30/40/50k	>80
LED-RCP-5P55W-TRI-BZ	120-277V	22/30/38.5/47/55w	145lm/w	30/40/50k	>80
LED-RCP-5P100W-TRI-WH	120-277V	22/30/38.5/47/55w	145lm/w	30/40/50k	>80
LED-RCP-5P100W-TRI-BZ	120-277V	22/30/38.5/47/55w	145lm/w	30/40/50k	>80

**ACCESSORIES**

Accessory Model	Description
HB03R	Remote for HD Sensors
HB01DMS-A	Motion+Daylight Sensor (HB03R Remote Req)

**Mounting:**

- Easy surface mount installation with universal mounting plate
- Easy Ø 3/4" pendant mount/stem installation
- Pre-wired circuit wiring built in (3 in / 3 out)
- Ø 3/4" Knockouts located on 4 sides