



## S-Line: Dimmable Power Pack

Dim any 0-10V Fixture (Remote or Smart App)



The EnvisionLED Bluetooth dimmable power pack provides automated individual and group control of lighting fixtures using Bluetooth. The S-PP-BT is ideal for use with indoor lighting fixtures.

### Features:

- Damp location rated
- Operating Temperature: -40° - 158° F
- Max Load: 5A, 600W Max LED Driver
- Control Output: 2-Channel 0-10V Output
- RF: 2.4GHz +/- 75MHz
- Voltage: 120-277V, 50/60Hz
- Wireless Technology: Bluetooth Enabled 4.2MESH IEEE 802.15.1
- Programming: EnVision SMART App (Android and IOS Apple)
- Security: UL1376
- Encryption: AES 128-bit
- MESH Range:
  - 100ft node-to-node
  - 50ft node-to-device

### Applications:

- Indoor lighting fixtures
- Retrofit onto existing fixtures

### Product Information:

- Easy commissioning with the EnVision SMART App
- Compatible with S-LINE-DIM-BT remote control and wall dimmer
- Time clock scheduling for individual lights, groupings, and scenes
- Multi-level dimming: Manual or automatic on/off
- Only compatible with 0-10V dimmable fixtures

### Mounting & Installation:

- 1/2" Knockout
- Must mount outside of the fixture junction box

### Certifications:

- UL Listed for USA and CA
- DLC NLC Listed
- CA Title 24 Approved
- FCC CFR 47, GCC Part 15, Subpart B:2017
- UL1376

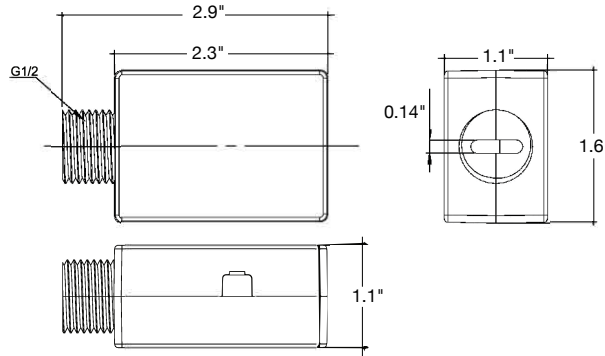
**Series**  
**S-PP-BT**  
Bluetooth Power Pack

**Optional Accessories**  
**(Order Separately)**  
Remote

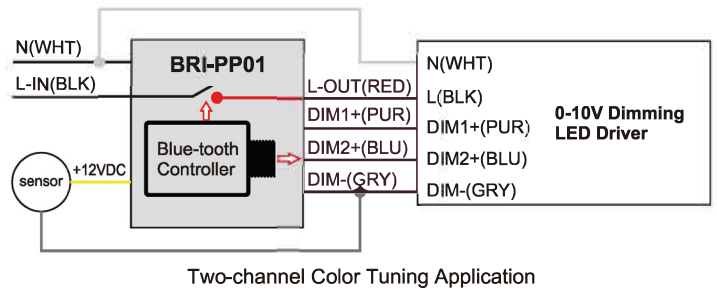
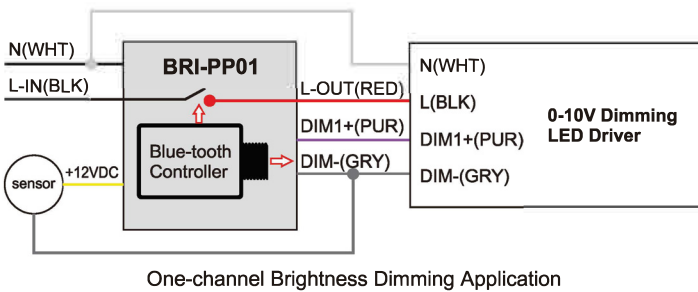
**S-LINE-DIM-BT**  
Works as a remote control or wall dimmer

Specs and model numbers are subject to change with or without notice.

## DIMENSIONS



## WIRING DIAGRAMS



## APPLICATION

Envision LED mobile APP makes it easy to pair devices, create groups, set scene schedules, customize dimming levels and adjust high trim based on application needs.



## ACCESSORIES



**S-LINE-DIM-BT**

Model	Item Description	Voltage	Watts
S-PP-BT	S-Line: Dimmable power pack. Dim any 0-10V fixture (Remote or ENVISION SMART APP)	12V	<1w

## DIMMER

Model	Item Description	Voltage	Watts
S-LINE-DIM-BT	Dimmer for S-LINE Series Bluetooth Sensors		<1w

*Specs and model numbers are subject to change with or without notice.*