

Project: _____ Part #: _____
Type: _____

Stem Mount

2' / 4' / 6' Pendant Stem Mount

Adjustable Length



30° ANGLE



Detail Specifications:

- Finishes:
 - White or Black Standard
 - Custom options available
- Angle Adjustable Stem
- Housing: Die-cast

Applications:

- General Recessed Lighting
- Residential & Multifamily
- Office and Meeting Rooms
- Education, Healthcare, Retail, Hospitality

Product Information:

- Installs onto fixtures that are compatible with 40 J-box
- Compatible with EMB canopy and empty body canopy
- Ideal for remodel and new construction use
- Slim and sleek design
- Dimming function of the fixture will not be affected
- 6.5' cord included
 - White finish: white cord
 - Black finish: black cord
 - Custom finish: black cord
- Quantity of 3; 2' cord stem covers included in each box.
- Swivel base for slope ceiling applications

Mounting & Installation:

- 30/40 Junction Box (including pancake j-box)
- Using the cord covers is highly recommended
- Field cuttable: cord can be cut to length
- Maximum mounting height not to exceed 6'

Series

STM-JBX-6-WH
White Finish
STM-JBX-6-BLK
Black Finish

Compatible Fixtures (Order Separately)

Fixtures

LED-SLDSKR
LED-SLDSKSQ
LED-TSM
SLDSKR

Specs and model numbers are subject to change with or without notice. Customization of product is available.

FEATURES



30° ANGLE

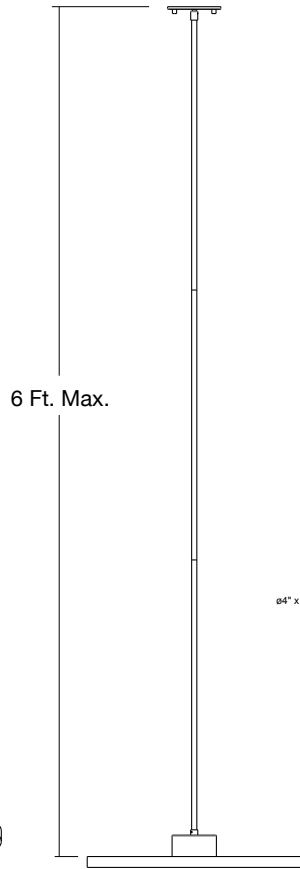
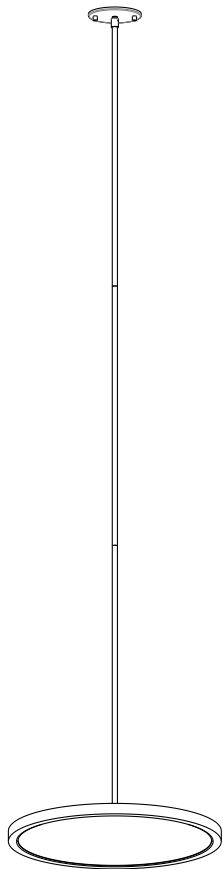


TOP

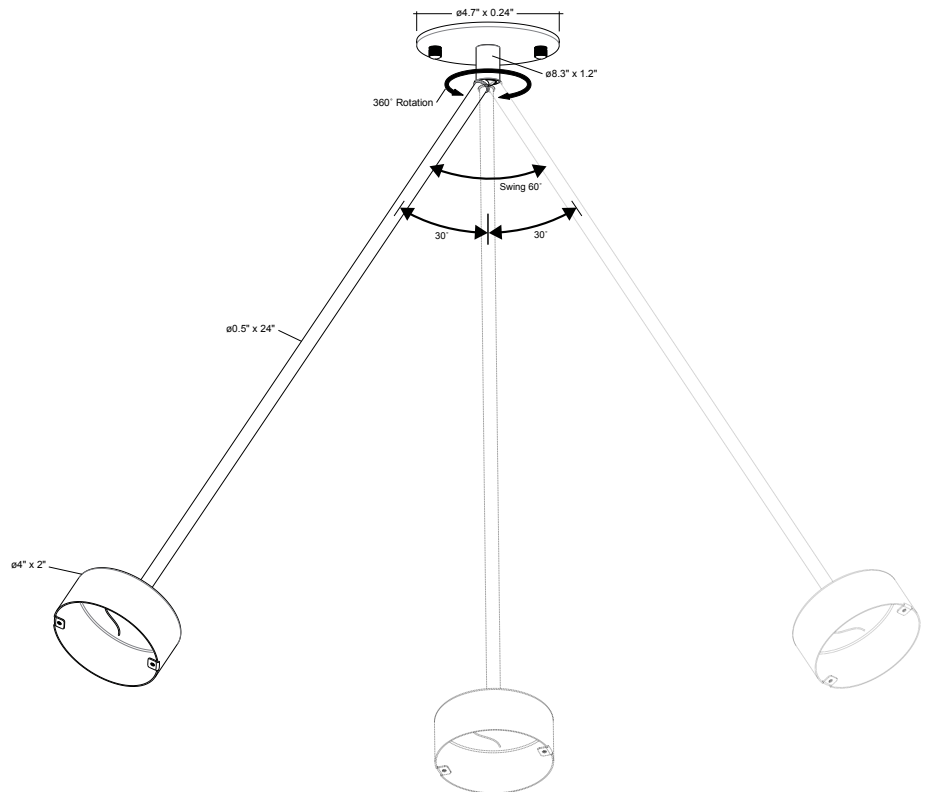


BOTTOM

DIMENSIONS

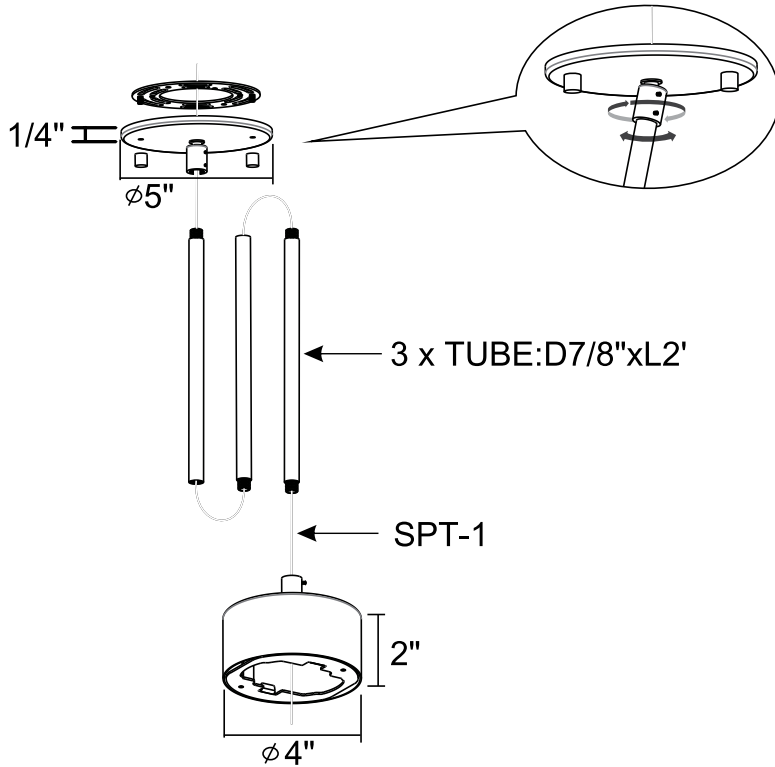


6 Ft. Max.



- 15" Round
- 12" Round
- 9" Round
- 7" Round

COMPONENTS & STRUCTURE



ADJUSTABLE DIRECTION AND ANGLE

ASSEMBLY

