

Full-Line: Traditional Wall Pack

3-CCT + 5-Power Selectable

Wall Packs



Detail Specifications:

- Finish: Bronze, Custom finishes available
- IP Rating: Wet Location
- Impact Rating: IK08
- Beam Angle: Type IV
- BUG: B3-U5-G5
- Chip: SMD 2835, R9 >50, CRI >80
- Operating Temperature: -40° - 122° F
- Lens: Glass Lens
- Average life (L70) of 70,000 hours

Applications:

- Walkways & Pathways
- Parking Lots
- Hospitality, Multi-Family
- Outdoor Corridors
- Residential, Commercial and Industrial

Product Information:

- Sturdy die-cast aluminum housing finished with corrosion free powder
- Traditional metal-halide wall pack size
- Photocell is included with an easy quick disconnect
- Instant-On to full brightness

Driver Options:

- UNV: 120-277V 0-10V Dimmable
- HV: 277-480V 0-10V Dimmable
- Built in 6Kv Surge Protector
- THD: <20% (+/-5% tolerance), PF >0.9, 50/60Hz

Mounting & Installation:

- Five 1/2" knockouts: 1 one each side for convenient installation

Certifications:

- UL Listed for USA and CA
- DLC Listed
- ROHS Compliant
- Approved for CA T24
- 5 Year Limited Warranty
- FCC CFR 47, GCC Part 15, Subpart B:2017

5P60

WATT	LUMENS
20	2,300
30	4,200
40	5,600
50	7,000
60	8,400

5P120

WATT	LUMENS
40	5,600
60	8,400
80	11,200
100	14,000
120	16,800

Series	Wattage	Color Temp	Finish	Photocell	Voltage	Sensor ²	Emergency	Surge Protector
LED-WPF -	-	- TRI -	-	- PC -	-	-	-	-
Wall Pack:	5P60	30/40	BZ	Photocell	(Blank)	(Blank)	(Blank)	(Blank)
Full Line	20/30	50K	Bronze	is included.	120-277V	No Sensor	No Emergency	6KV Built In
	40/50		(Standard)	Easy quick	HV	BMS	EMB	20KV
	60W		BL ¹	disconnect.	277-480V	Bi-Level	Emergency	20KV Surge
	5P120		Black	(PC-3/4-		+ Daylight	Backup	Protector
	40/60		WH ¹	3PIN-LV)		Sensor		
	80/100		White			(S-BMS-EXT-1)		
	120W		GRY ¹			BMSBT		
			Gray			Bi-Level Motion		
			CS ¹			+ Daylight Sensor		
			Custom			-Bluetooth		
			Color			Control-		
						(S-BMS-EXT-		
						1-BT)		

1. Standard quickship is bronze. Other colors are custom finishes

2. Sensors require remote for programming

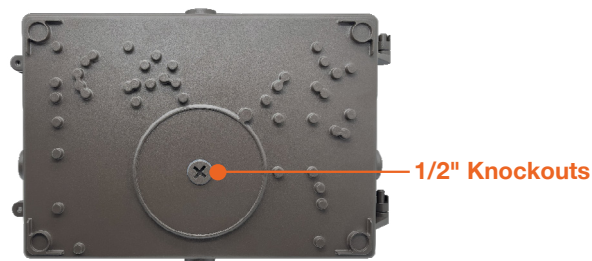
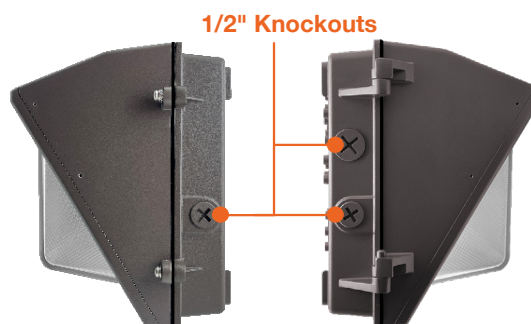
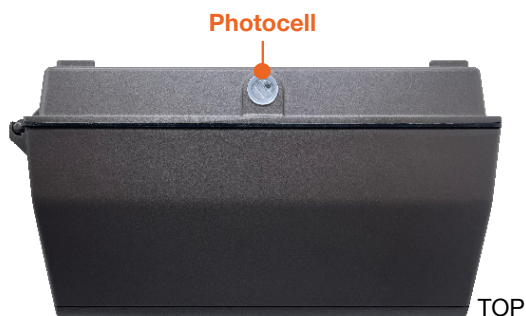
Optional Accessories (Order Separately)

Remote for Sensors Wire Guard Shield

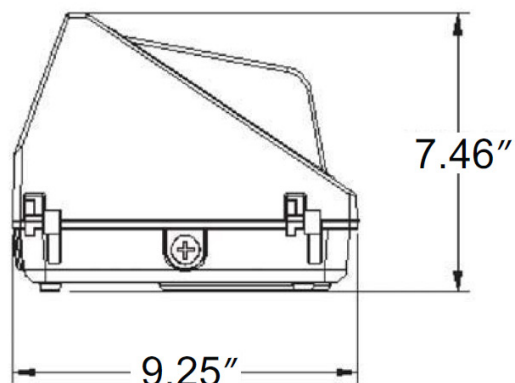
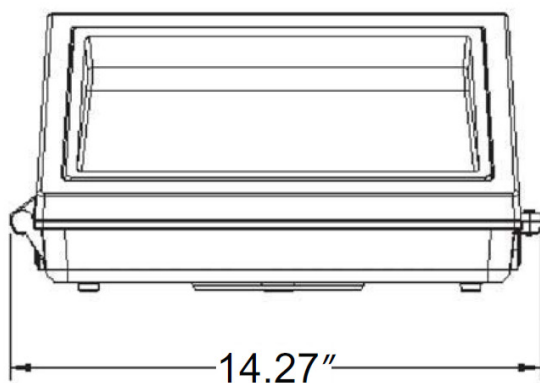
S-LINE-R WPF-WG WPF-SHIELD
S-Line Wire Guard Shield
Remote

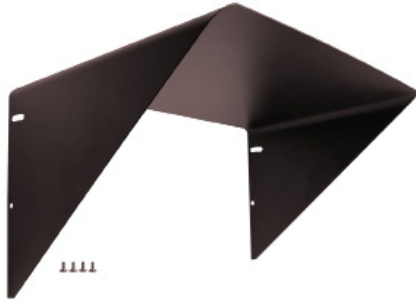
Specs and model numbers are subject to change with or without notice.

FEATURES

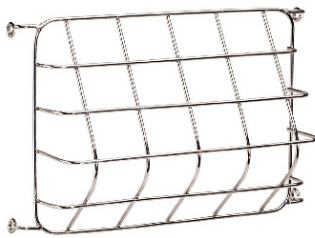


DIMENSIONS





WPF-SHIELD



WPF-WG



S-BMS-EXT-1
S-BMS-EXT-1-BT



S-LINE-R

WALL PACK

Model	Voltage	Watts	Lumens	Color	CRI
LED-WPF-5P60-TRI-BZ-PC	120/277V	20/30/40/50/60w	145 lm/w	30/40/50k	>80
LED-WPF-5P120-TRI-BZ-PC	120/277V	40/60/80/100/120w	145 lm/w	30/40/50k	>80

ACCESSORIES

Accessory Model	Description
WPF-SHIELD	Cut Off Shield for WPF Wall Packs
WPF-WG	Wire Guard for WPF Wall Packs

REMOTE CONTROL

Accessory Model	Description
S-LINE-R	Remote for S-LINE Series Sensors

HB-LINE-SENSORS

Model	Item Description	Voltage	Watts
S-BMS-EXT-1	S-Line: Bi Level Motion Sensor w/ Daylight Harvesting, Ideal for use with LED WALLPACKS. 12V Aux REQD. (Remote Required)	12V	<1w
S-BMS-EXT-1-BT	S-Line: Bi Level Motion Sensor w/ Daylight Harvesting, Ideal for use with Wallpacks. 12V Aux REQD. (Remote Required)	12V	<1w