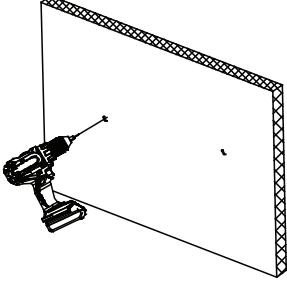
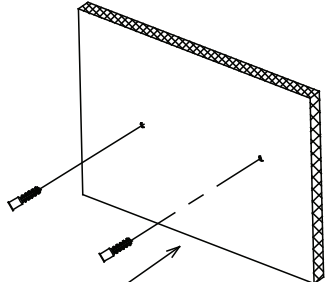
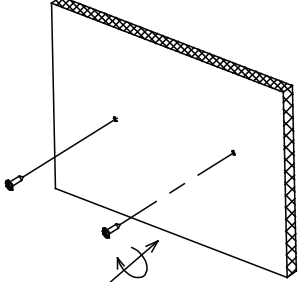
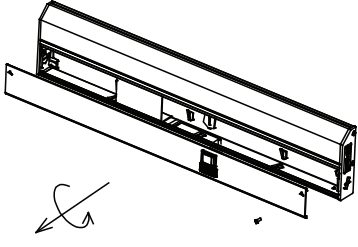
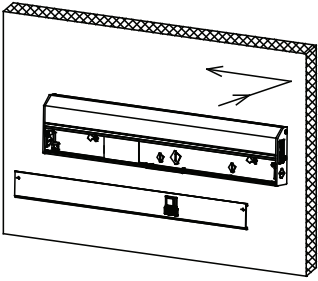
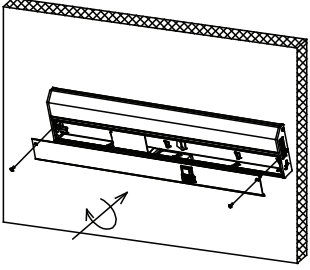
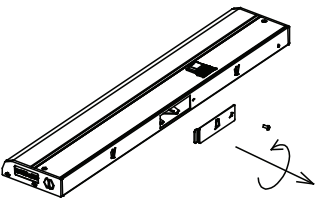
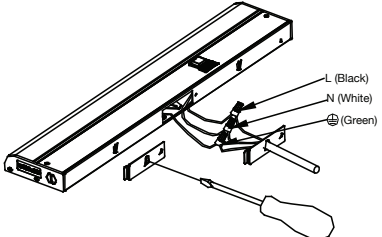
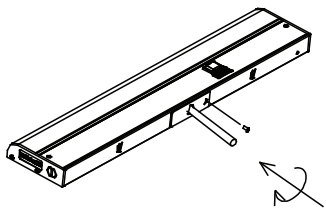
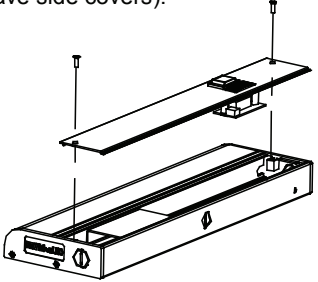
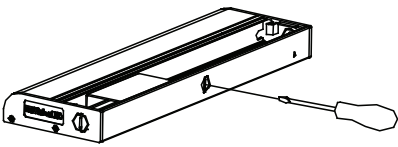
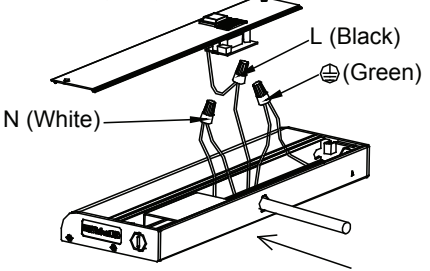
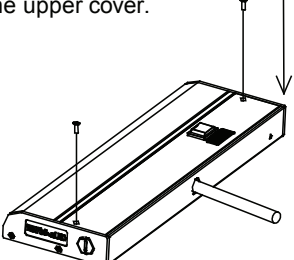


## UNDERCABINET INSTALLATION

### UC Placement

<p>1. Drill holes on the installation surface using an electric drill.</p> 	<p>2. Insert the plastic expansion pipe from the accessory package into the installation plate.</p> 	<p>3. Take out the plastic expansion pipe from the accessory package and insert it into the installation plate.</p> 
<p>4. Use a Phillips screwdriver to remove the screws and open the upper cover plate.</p> 	<p>5. Insert the mounting hole of the lamp into the screw head and move the lamp to the left, then tighten the screw.</p> 	<p>6. Install the cover plate.</p> 

### Wiring Method

<p>1. Open the side cover with a Phillips screwdriver.</p> 	<p>2. Use a flat screwdriver to tap open the wiring hole on the side cover, and then wire according to the following diagram.</p> 	<p>3. Insert the wire into the lamp body and lock the side cover. Installation completed.</p> 
<p>1. Open the upper cover with a Phillips screwdriver (small-sized lamps do not have side covers).</p> 	<p>2. Open the side cover wiring hole with a flat screwdriver.</p> 	<p>3. Insert the wall wire into the lamp body and then wire it according to the following diagram.</p> 
<p>4. Insert the wire into the lamp body and then use a Phillips screwdriver to install the upper cover.</p> 	<p><b>Attention:</b></p> <ol style="list-style-type: none"> <li>1. Before installing the lighting fixtures, the switch must be turned off first</li> <li>2. Professional electricians are required to install lighting fixtures.</li> <li>3. The installation position of lighting fixtures should avoid fire sources or humid environments.</li> <li>4. Maintenance of lighting fixtures requires wiping with a dry cloth.</li> </ol>	