

INSTALLATION INSTRUCTIONS

Watt & CCT Selection

2X2 WATT

35W 30W 20W

Pre-Set: 35W

2X4 WATT

50W 40W 30W

Pre-Set: 50W

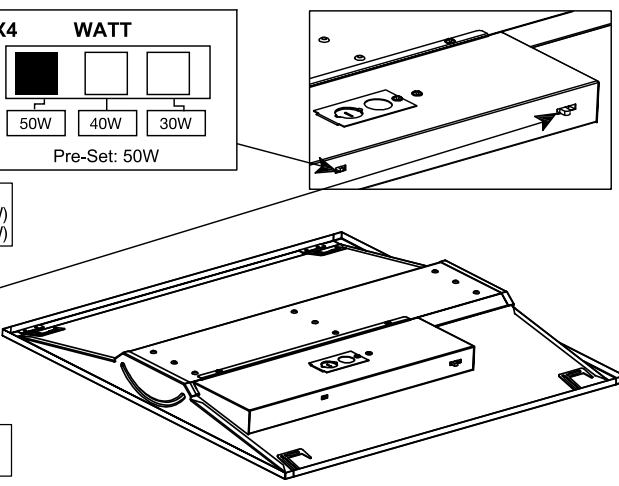
WATT Adjustable
 2x2 size: 20W/30W/35W (Pre set 35W)
 2x4 size: 30W/40W/50W (Pre set 50W)

CCT

5000K 4000K 3500K 3000K

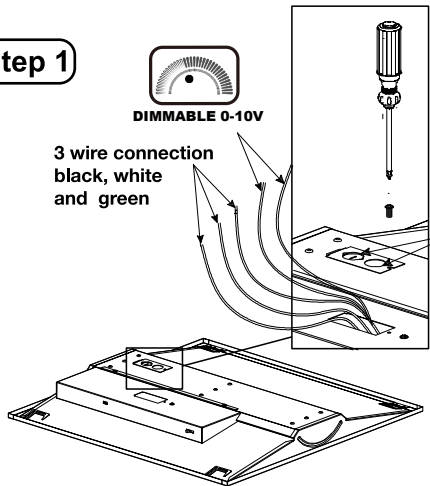
Pre-Set CCT: 4000K

CCT Adjustable
 3000K - 3500K - 4000K - 5000K



T-Grid Ceiling Installation

Step 1



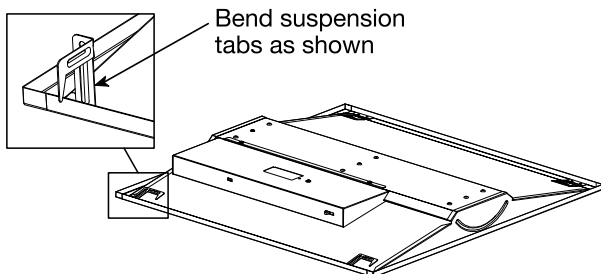
DIMMABLE 0-10V

3 wire connection
black, white and green

Knock Out

Power Leads Connection
Remove screw holding access cover plate and remove the necessary knockout

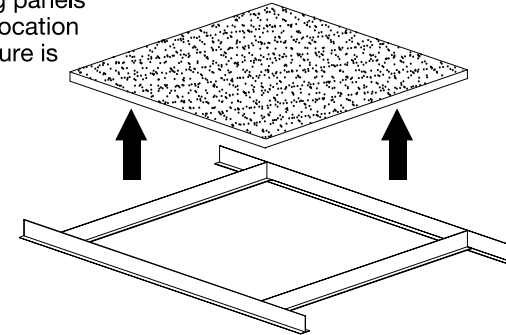
Step 2



Bend suspension tabs as shown

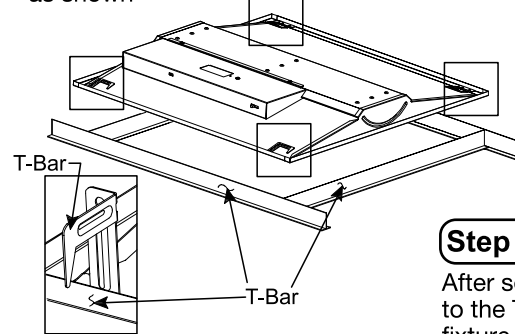
Step 3

Remove the ceiling panels at an appropriate location where the light fixture is to be placed.



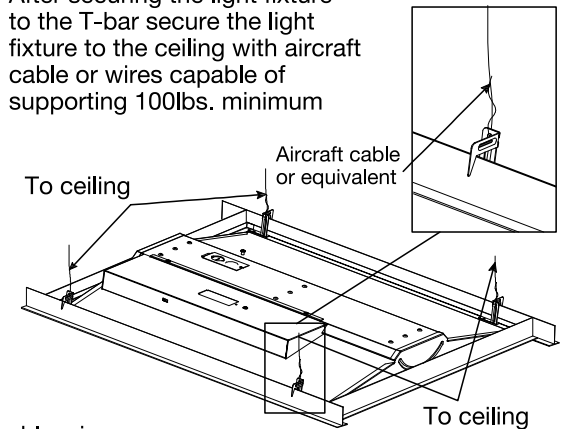
Step 4

Set light fixture into the suspension with tabs. Hang over the T-bar as shown



Step 5

After securing the light fixture to the T-bar secure the light fixture to the ceiling with aircraft cable or wires capable of supporting 100lbs. minimum



Step 6

Connect cable wires with appropriate relief strain and wire connectors (not provided). Make sure all wires are tucked in before reinstalling the cover plate.

