

Semi-Circle Up/Down Wall Pack



PLEASE READ ALL INSTRUCTIONS BEFORE ATTEMPTING INSTALLATION

- To prevent personal injury or product damage only licensed electricians should install.
- To avoid electric shock or component damage disconnect power before attempting installation or servicing.
- Disconnect product and allow cooling prior to servicing.
- Any alteration or modification of this product is forbidden as it may cause personal injury, death, property damage and/or product malfunction.
- To prevent product malfunction and/or electrical shock this product must be properly grounded.
- This luminaire is designed to operate in ambient temperatures ranging from -40° F to 113° F.
- MIN 167° F SUPPLY CONDUCTORS.
- CONSULT A QUALIFIED ELECTRICIAN TO ENSURE CORRECT BRANCH CIRCUIT CONDUCTOR.
- Do not switch under load.
- Caulk to mounting surface at all sides.

INSTALLATION

1. Install the mounting bracket to the junction box. (Fig. 1)

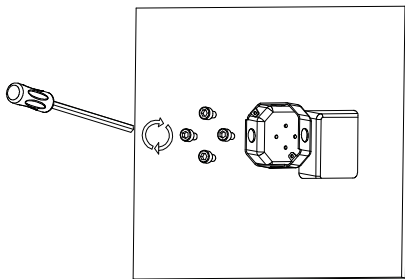


Fig. 1

2. Use the Hex Wrench to loosen the 2 Allen Screws. (Fig. 2)

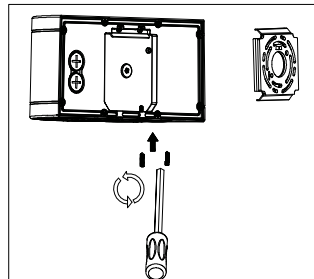


Fig. 2

3. Take apart the mounting bracket from the fixture. (Fig. 3)

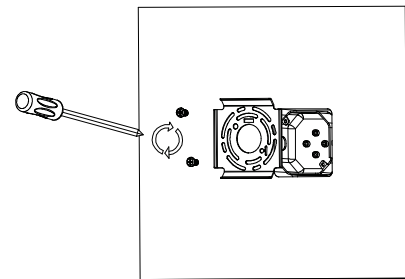


Fig. 3

4. Attach the safety cable to the bracket to hold the fixture onto the wall. (Fig. 4)

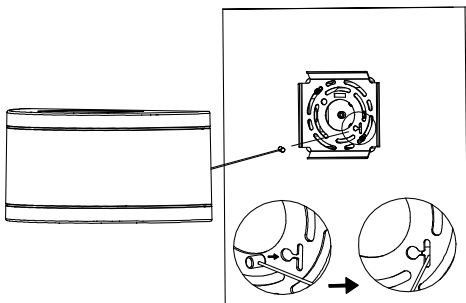


Fig. 4

5. Connect wires according to below wire diagram. (Fig. 5)

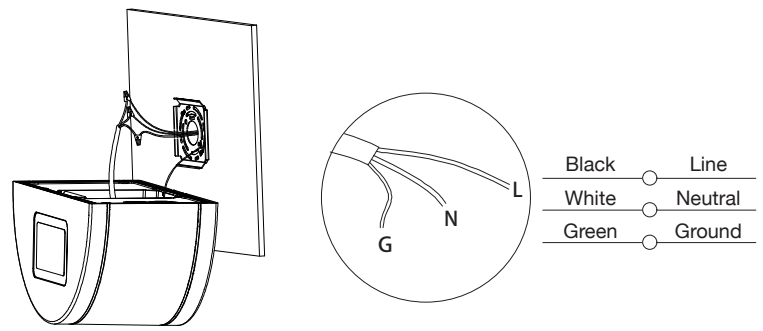


Fig. 5

6. Follow the arrow direction to slide the fixture onto the mounting bracket. (Fig. 6)

7. Tighten the 2 Allen Screws and installation is completed. (Fig. 7)

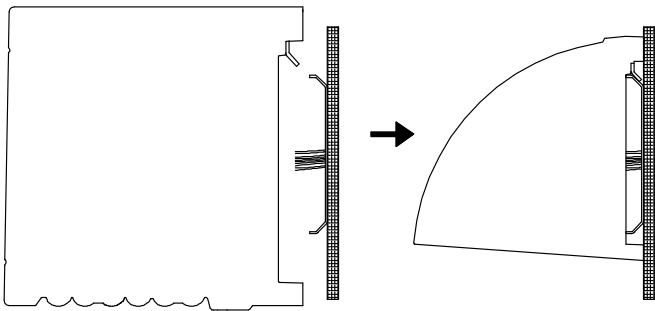


Fig. 6

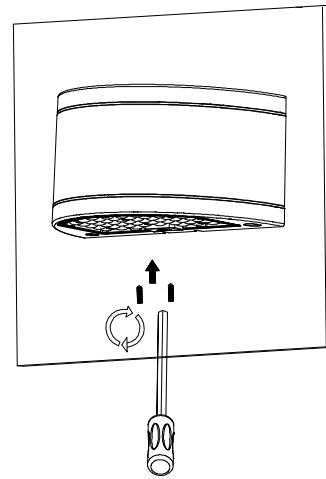
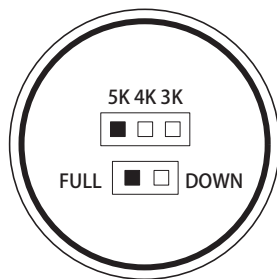


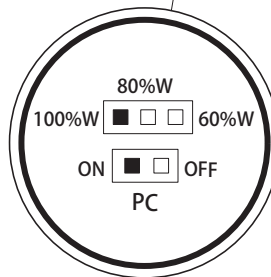
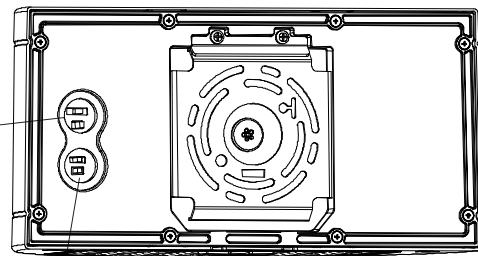
Fig. 7

WATTAGE & CCT SELECTABLE

Default Setting:
 Watt: 60W/100W
 CCT: 5000K
 Photocell: ON
 Light control: Full



DIP Switch for CCT
 & Down / Full
 Light Control



DIP Switch for
 Watt & Photocell

<input checked="" type="checkbox"/>	W = 60	100
<input type="checkbox"/>	W = 48	80
<input type="checkbox"/>	W = 36	60