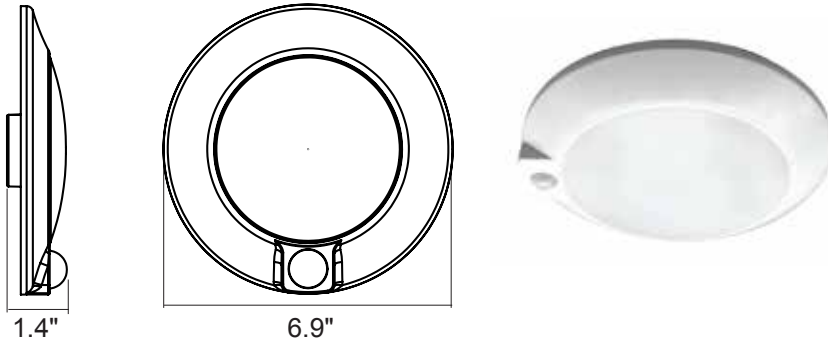


4" Cusp Disk w/ PIR Sensor



LED Disk Light provides surface mount light for new construction applications. Unit fits most 4" junction boxes and can replace 5", 6" recessed can lights to eliminate baffles & fire rated boxes. It also is suitable for use in dry, damp or wet locations.

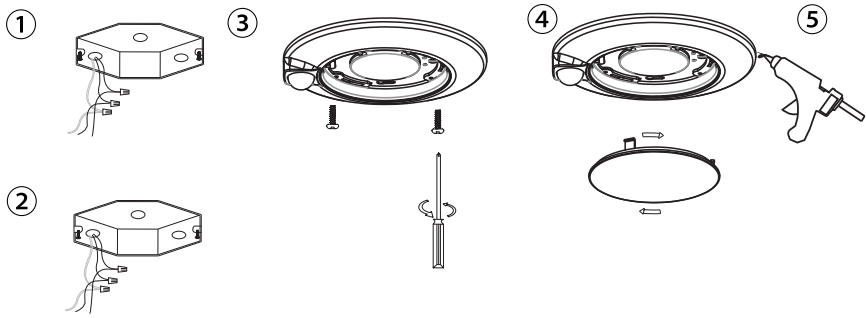


Technical Specifications

Voltage: 120v, 60Hz ac operation.
 Wattage: 10w-28 pcs LED chips
 Lumens: 650 lumens, CRI90+, Lighting facts tested.
 Diffuser: Translucent White PC Opal Diffuser.
 Hardware: All mounting screws and wire connectors.
 Tool Use: Phillips Screw Driver and Glue gun
 Warranty: Five year, limited warranty.

WARNING: For your safety read and understand instructions completely before starting installation. Before wiring to power supply, turn off electricity at the fuse or circuit breaker box.

SURFACE MOUNT INSTALLATION



- STEP 1** Prior to installation. Please install two screws (furnished) into the junction box. Do not drive screws completely to the end of the junction box.
- STEP 2** Connect supply wires to wires in fixture wiring box with proper size wire nuts or push wires into "push-in" connector. Connect white to white, black to black and green or bare copper wire to bare copper wire.
- STEP 3** The ground wire at the surface junction box may need to be secured to a ground screw.
- STEP 4** With a Phillips screwdriver, attach the disk light tightly to the J-Box.
- STEP 5** Complete the installation by twisting the diffuser on the disk light aluminum enclosure and lock the diffuser in place.
- STEP 6** The edge of the fixture and the ceiling use waterproof silicone to seal.

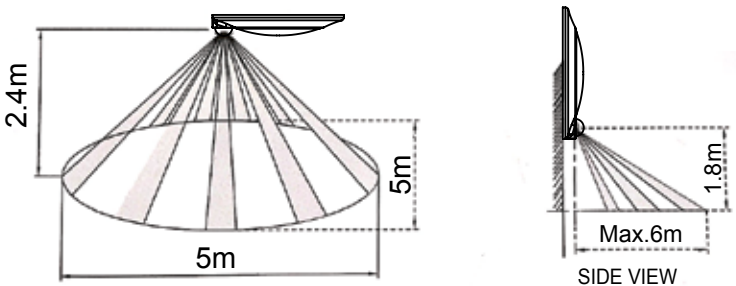
! WARNING

Risk of fire
 Supply conductors (power wires) connecting the fixture must be rated minimum 194° F if uncertain, consult an electrician.

Risk of electric shock
 disconnect power at fuse or circuit breaker before installing or servicing.

Risk of fire/electric shock
 If not qualified, consult an electrician.

SENSOR DETECTION RANGE



Ceiling Mount sensor Detection Range Wall Mount sensor Detection Range