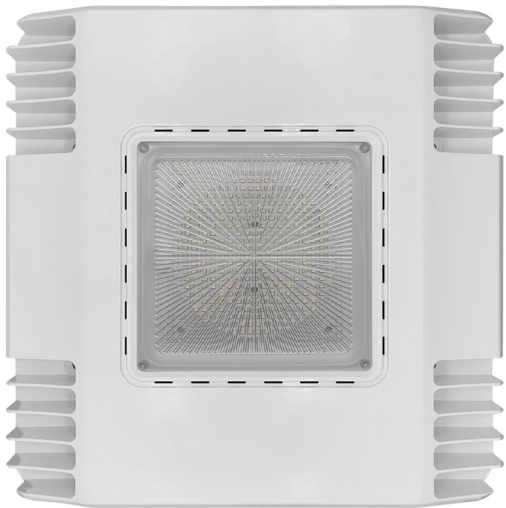


Large Square Canopy: Slim-Line
2CCT: 40/50K Selectable



Detail Specifications:

- Finish: White
- IP Rating: Wet Location (IP65)
- Wattage: 150W
- Lumens: 18,000
- Beam Angle: 150°
- Chip: SMD 2835, R9 >50, CRI >80
- Operating Temperature: -4° - 124° F
- Lens: PC, Clear Ribbed
- Average life (L70) of 50,000 hours

Applications:

- Gas Stations
- Utility & Storage
- Garage & Parking Structures
- Dock and loading
- Soffits
- Outdoor corridor
- Commercial and Industrial

Product Information:

- Sturdy die-cast aluminum housing finished with corrosion free powder coat
- Select-n-Switch Technology: 2-CCT

Driver Options:

- UNV: 120-277V, 0-10V Dimmable
- THD: <20% (+/-5% tolerance), PF >0.9, 50/60Hz
- Isolated Driver
- Flicker Free

Mounting & Installation:

- 30 or 40 J-Box Surface Mount

Certifications:

- UL Listed for USA and CA
- DLC Premium Listed
- ID: PENDING 6/15
- Approved for CA T24
- 5 Year Limited Warranty
- FCC CFR 47, GCC Part 15, Subpart B:2017

Series	Finish	Wattage	CCT
LED-CP2 - WH - 150W - 40/50K	White		4000/5000K

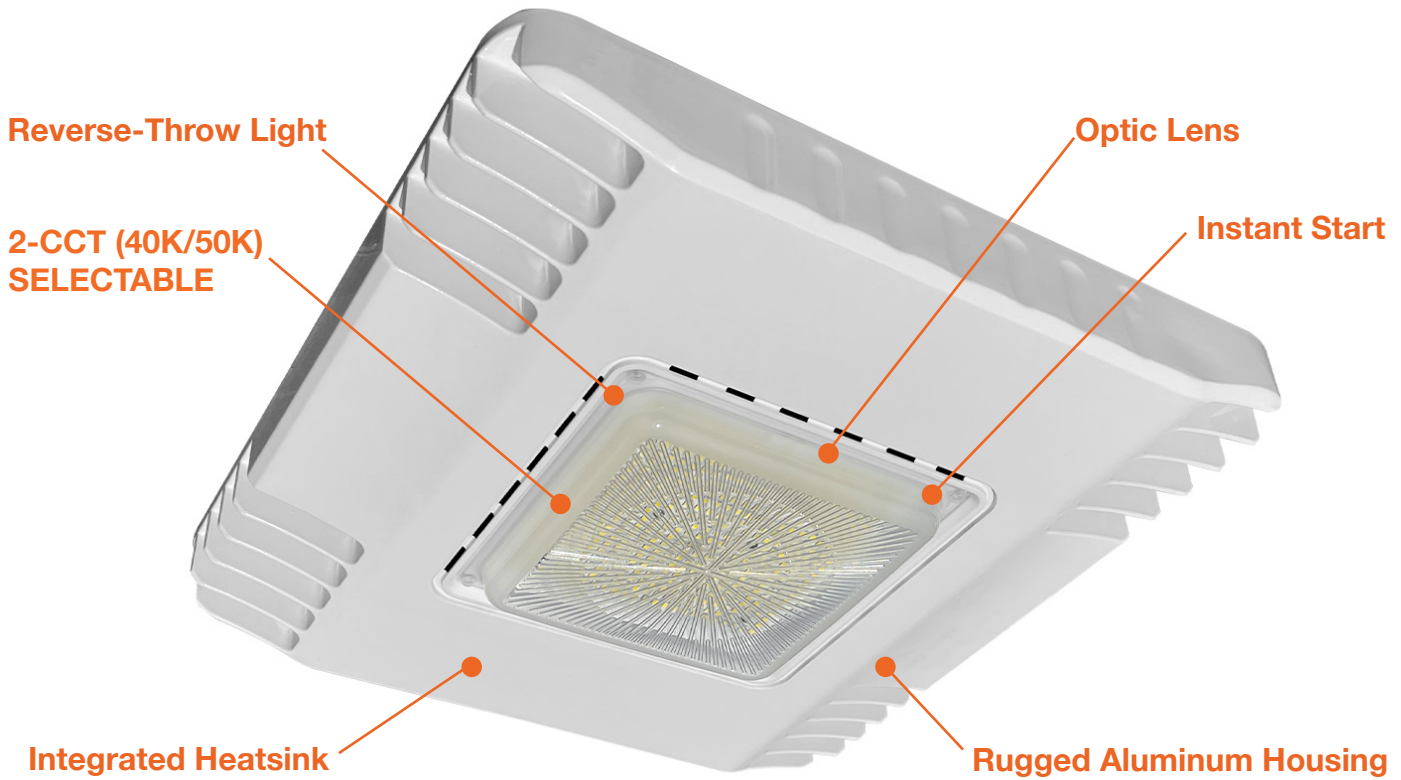
Accessories
Goof Plate

24X24-GF-CP2
24x24 Goof Ring

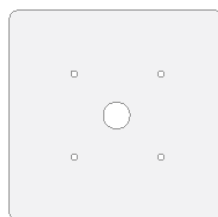
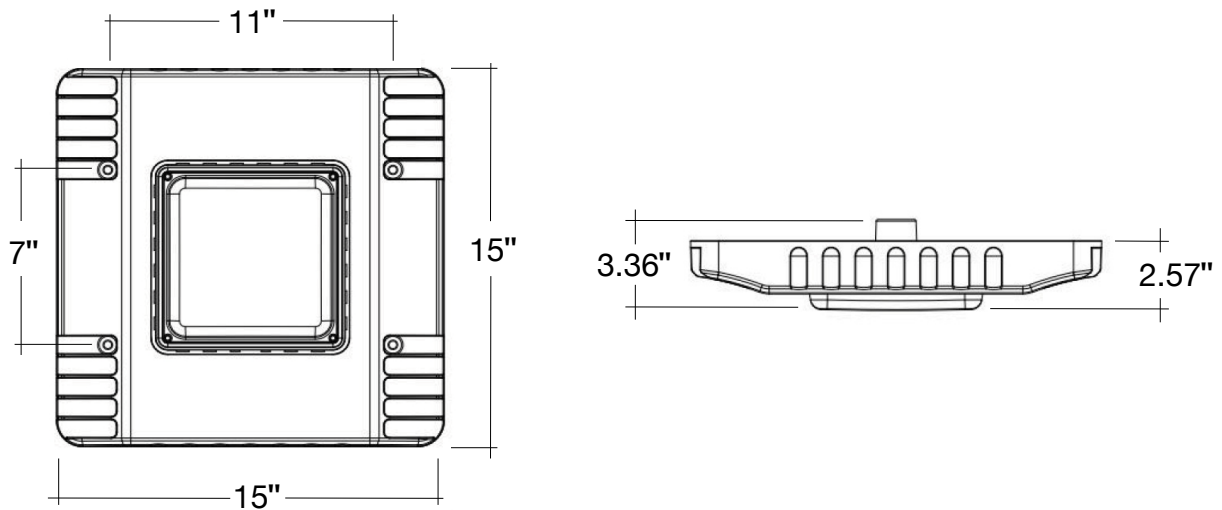
Custom
Custom Sizes Available

Specs and model numbers are subject to change with or without notice. Customization of product is available.

FEATURES



DIMENSIONS



Accessory Model	Description
24x24-GF-CP2	24x24 Goof Ring

Specs and model numbers are subject to change with or without notice. Customization of product is available.