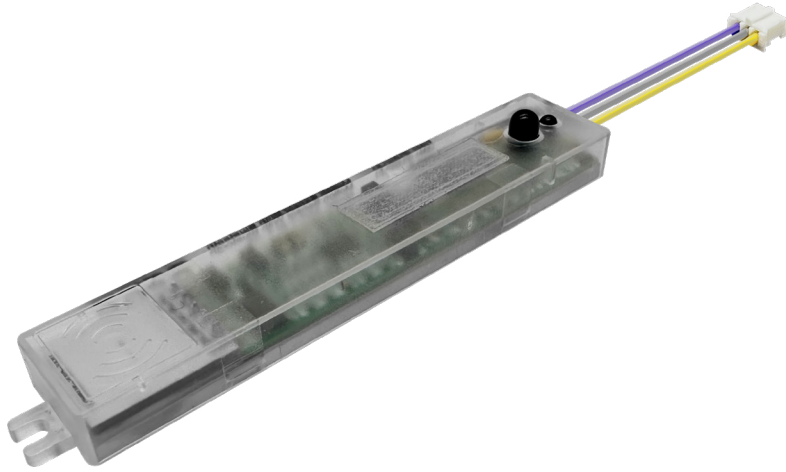




Bi-Level Motion Sensor w/ Daylight Harvesting

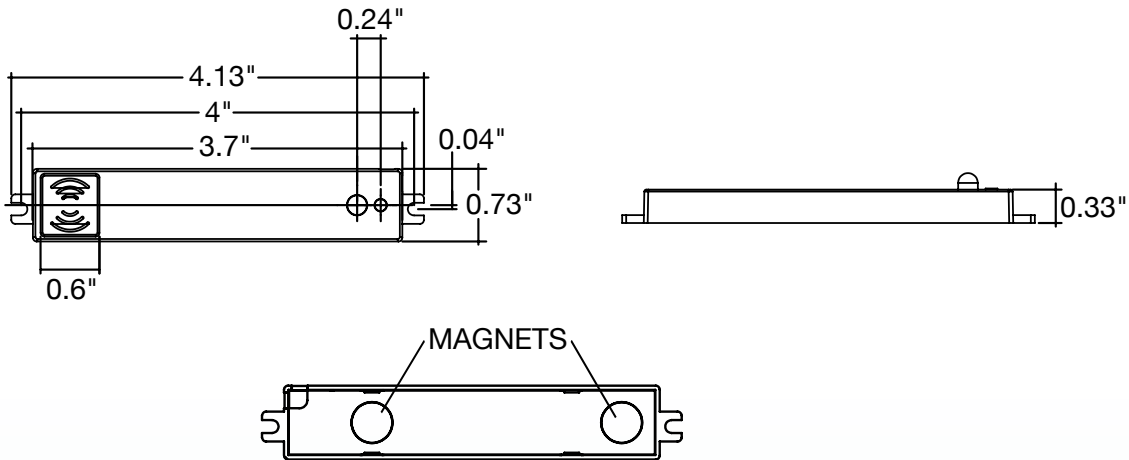


Features:

- FIXTURE SENSOR DLC:** Meet DLC 5.1 Network Lighting Control System
- LOCALIZED LIGHTING CONTROL:** Light-level schedules, preferences and profiles for each fixture are wirelessly communicated at system setup and stored for continuous operation.
- BLUETOOTH LOW ENERGY:** An embedded BLE radio allows the sensor to receive and transmit beacons as well as support communication with lighting control devices and other sensors.
- OCCUPANCY/VACANCY/MANUAL:** A microwave sensor combined with ambient with 3 different mode options.
- DAYLIGHT HARVESTING:** Captured ambient light information is locally processed to raise and lower light levels based on available daylight.
- ROOM AND ZONE CONTROL:** Pairs with room switches for code compliant manual-on or auto-off capability. Sensors can be grouped into zones that share occupancy sensing data and coordinate light control based on detected motion.

TECHNICAL DATA

Motion Sensor	Microwave Sensor
Input Power	12-24V DC, >50mA
Control Output	0-10V Max., 25mA Sinking Current
Mounting Height	13ft. (4m) Max.
Detection Angle	360°
Operating Temperature	-40°F~158°F
Wireless Standard	5.0 Bluetooth Mesh



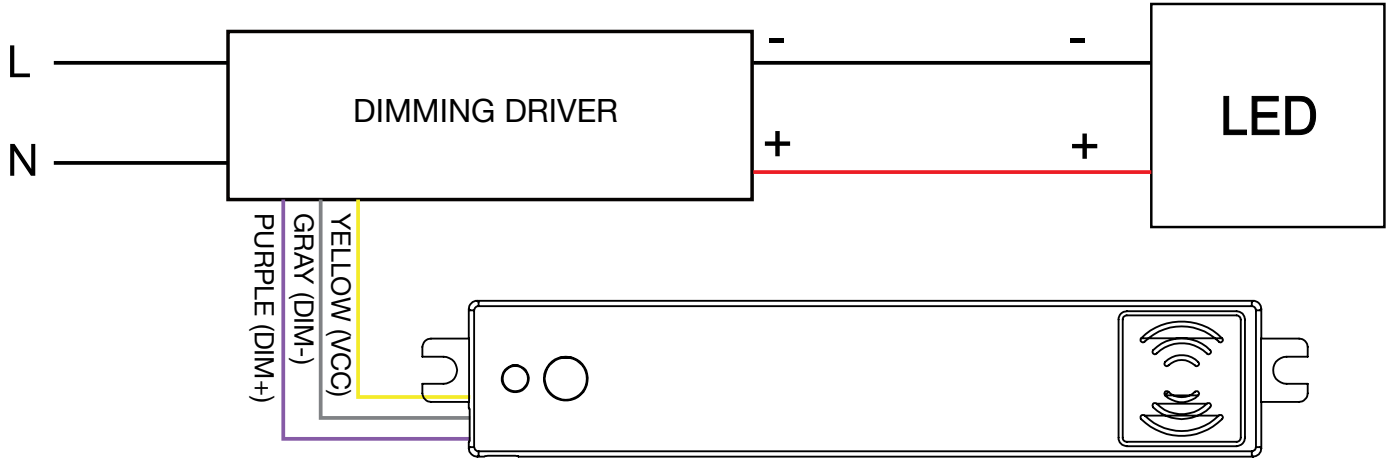
Series

S-BMS-INT-1-BT

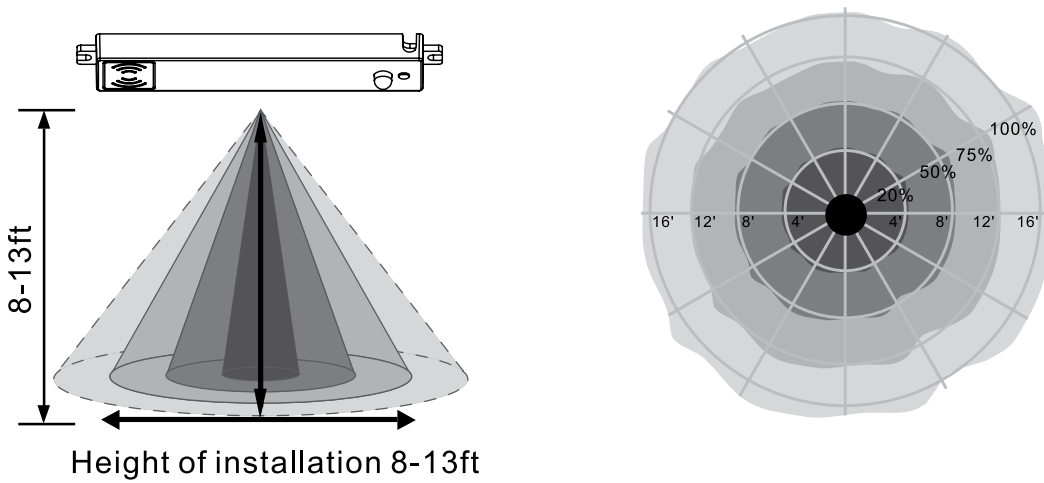
12-24V DC

Specs and model numbers are subject to change with or without notice.

WIRING DIAGRAMS



SENSOR COVERAGE



Specs and model numbers are subject to change with or without notice.