

# ARCY-Line: 2x2 & 2x4 Center Basket

4-CCT & 3-Power Selectable



**Detail Specification:**

- Finish: White
- IP Rating: Damp Location (IP44)
- Beam Angle: 120°
- Chip: SMD 2835, R9 >50, CRI >80
- Operating Temperature: -40° - 114° F
- Lens: Frosted, non-yellowing
- Average life (L70) of 50,000 hours

**Applications:**

- General Indoor Lighting
- Utility & Storage
- Garage Structures
- Office and Meeting Rooms
- Education, Healthcare, Retail, Hospitality
- Commercial and Industrial

**Product Information:**

- Aluminum housing finished with corrosion free power coat
- Even light distribution
- Lightweight for easier installation
- Select-n-Switch Technology: 4-CCT + 3-Power Selectable

**Driver Options:**

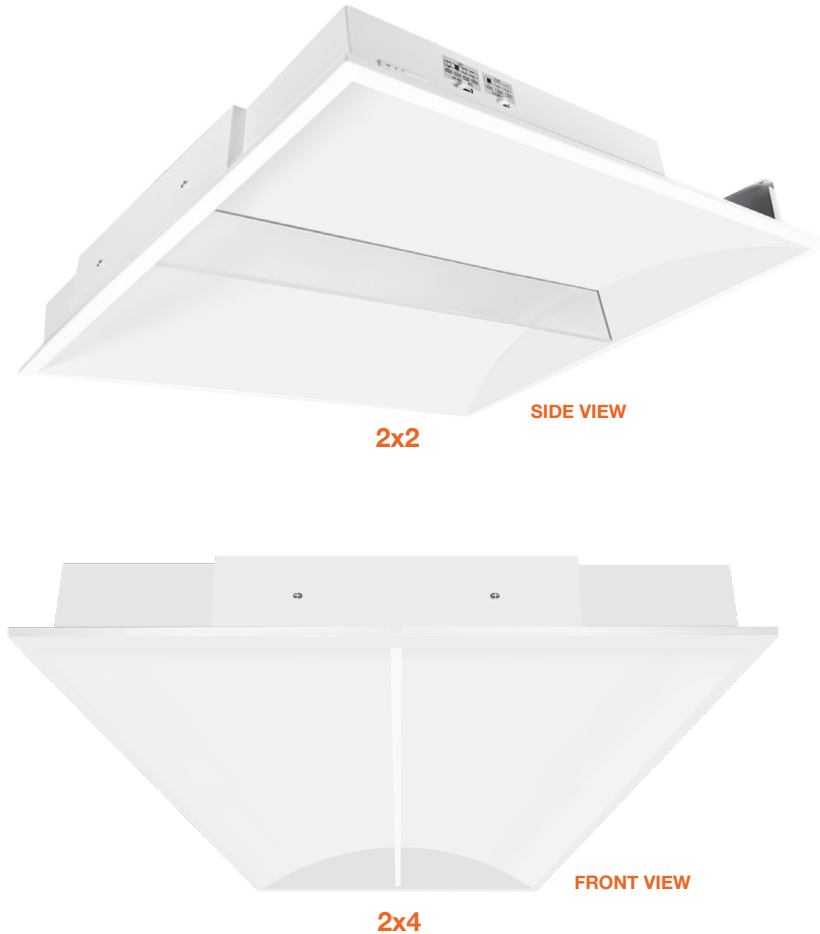
- UNV: 120-277V 0-10V Dimmable (Dim to Off)
- THD: <20% (+/-5% tolerance), PF >0.9, 50/60Hz
- Isolated Driver
- Flicker Free

**Mounting & Installation:**

- Lay-in ceilings for 5/8" and 3/8" ceiling widths
- Built-in earthquake clips
- Optional 9' suspension kit available
- Optional drywall kit available
- Use surface mount and suspension kit for an aesthetically pleasing design

**Certifications:**

- UL Listed for USA and CA
- DLC Standard Listed
- Approved for CA T24
- 5 Year Limited Warranty
- FCC CFR 47, GCC Part 15, Subpart B:2017



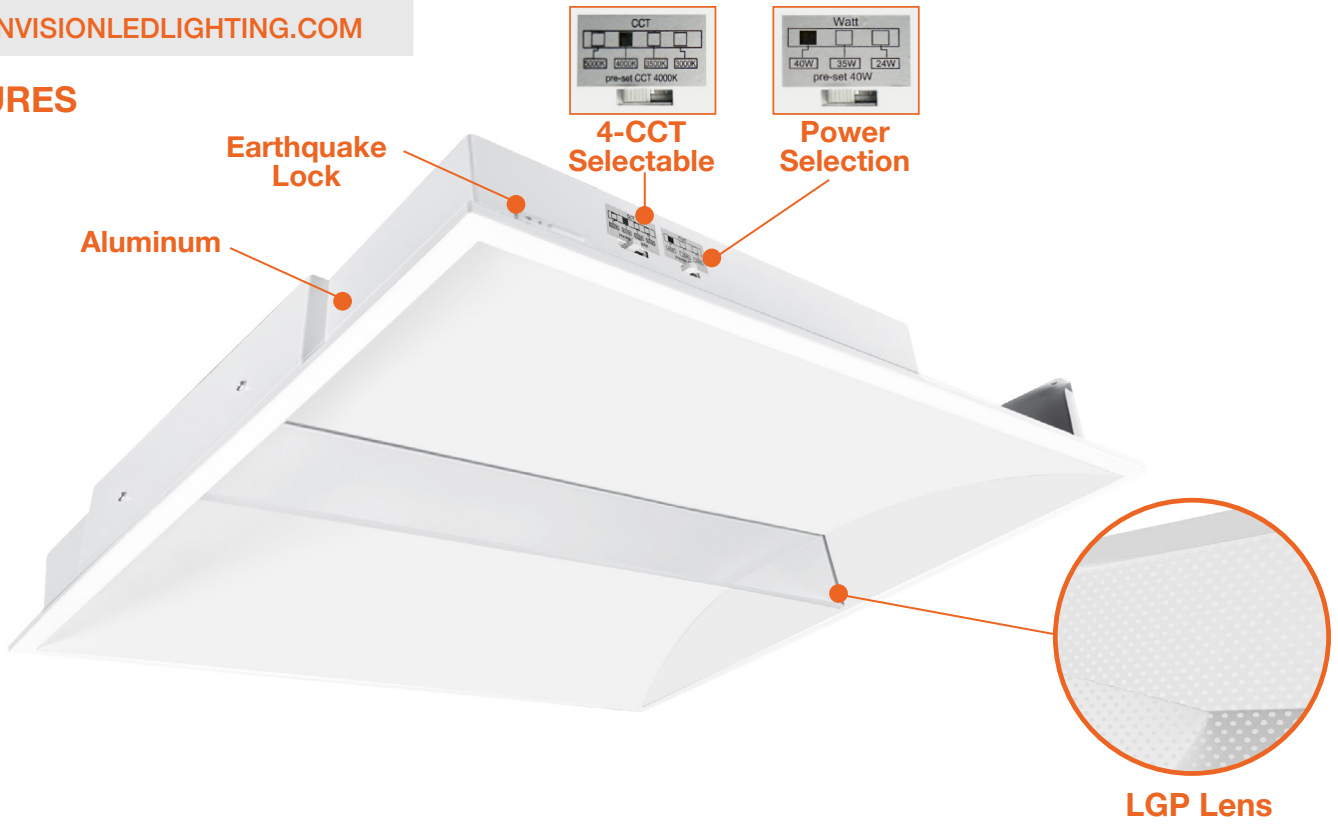
2X2-3P40		2X4-3P50	
WATT	LUMENS	WATT	LUMENS
24	2,880	30	3,600
35	4,200	40	4,800
40	4,800	50	6,000

Series	Sensor	Emergency	Whip
<b>LED-CBT-TL-2X2-3P40-4CCT</b> 24/35/40W • 120-277V	(Blank) No Sensor	(Blank) No Emergency	(Blank) No Whip
<b>LED-CBT-TL-2X4-3P50-4CCT</b> 30/40/50W • 120-277V	<b>BMS</b> Bi-Level Motion + Daylight Sensor (S-BMS-INT-1)	<b>EMB</b> Emergency Backup	<b>-6FLX</b> 6' Flex
	<b>BMS-BT</b> Bi-Level Motion + Daylight Sensor + Bluetooth App Controlled (S-BMS-INT-1-BT)		

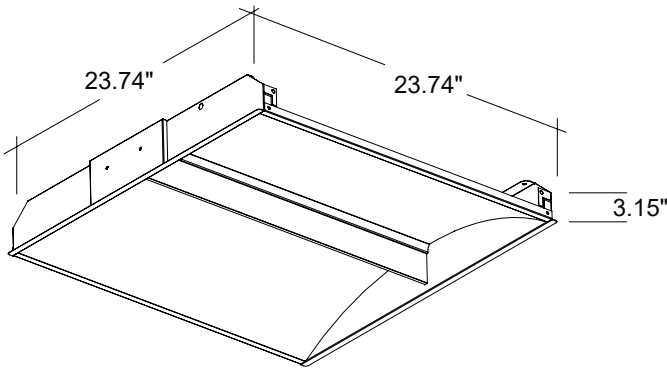
Optional Accessories (Order Separately)		
Suspension Kits	Drywall Kits	BMS Controller
<b>SK-10FT-Y-LC-CB</b> 10' Suspension Kit	<b>LED-PNL-2X2-FLNG</b> Drywall Kit	<b>S-LINE-DIM-BT</b> Wall Dimmer
<b>SK-20FT-Y-LC-CB</b> 20' Suspension Kit	<b>LED-PNL-2X4-FLNG</b> Drywall Kit	<b>S-LINE-R</b> Remote for S-Line Sensor

Specs and model numbers are subject to change with or without notice. Customization of product is available.

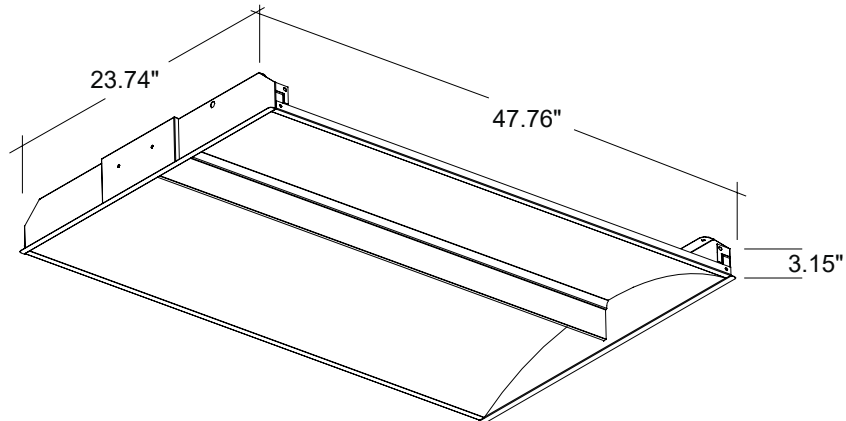
**FEATURES**



**DIMENSIONS**



**2x2**



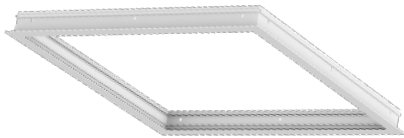
**2x4**

*Specs and model numbers are subject to change with or without notice. Customization of product is available.*

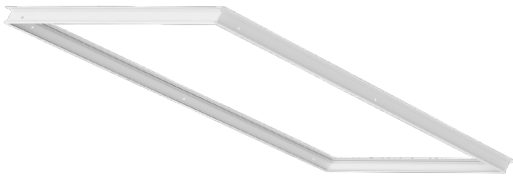
**ACCESSORIES**



SK-10FT-Y-LC-CB  
SK-20FT-Y-LC-CB



LED-PNL-2X2-FLNG



LED-PNL-2X4-FLNG



S-LINE-R



S-LINE-DIM-BT



S-BMS-INT-1  
S-BMS-INT-1-BT

**TROFFERS**

Fixture Model	Voltage	Watts	Lumens	Color	CRI
LED-CBT-TL-2X2-3P40-4CCT	120-277V	40/35/24w	4,800/4,200/2,880	30/35/40/50k	>80
LED-CBT-TL-2X4-3P50-4CCT	120-277V	50/40/30w	6,000/4,800/3,600	30/35/40/50k	>80

**SUSPENSION KITS**

Accessory	Description
SK-10FT-Y-LC-CB	10' Suspension Kit
SK-20FT-Y-LC-CB	20' Suspension Kit

**DRYWALL KITS**

Accessory	Description
LED-PNL-2X2-FLNG	Flange (Drywall) Kit for all 2X2 Fixtures
LED-PNL-2X4-FLNG	Flange (Drywall) Kit for all 2X4 Fixtures

**BMS CONTROLLER**

Model	Item Description	Voltage	Watts
S-LINE-R	Remote for S-LINE Series Sensors	12V	<1w
S-LINE-DIM-BT	Dimmer for S-LINE Series Bluetooth Sensors		<1w

**S-LINE SENSORS**

Model	Item Description	Voltage	Watts
S-BMS-INT-1	S-Line: Bi Level Motion Sensor w/ Daylight Harvesting, Ideal for use with LED-CBT. 12V Aux REQD. (Remote Optional)	12V	<1w
S-BMS-INT-1-BT	S-Line: Bi Level Motion Sensor w/ Daylight Harvesting, Ideal for use w/ LED-CBT 12V Aux REQD. (Remote or ENVISION SMART APP)	12V	<1w