

# Installation Instructions for Flood Lights

Luminaires must be installed in accordance with the National Electrical Code (NEC) and local codes. Failure to do so will void the warranty and may result in serious injury and/or damage to the luminaire.

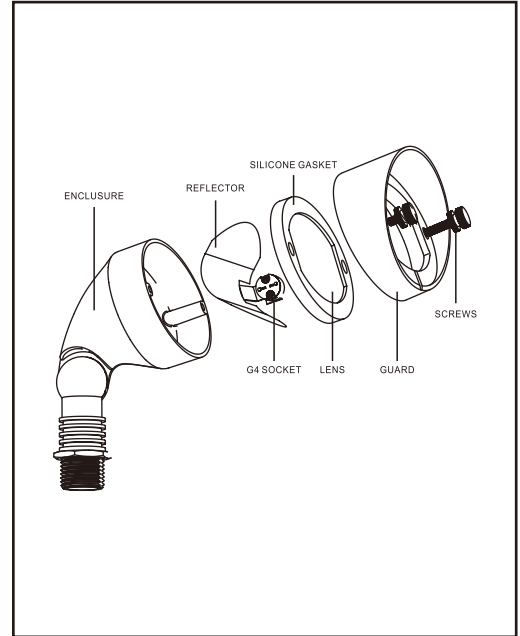
**INSTRUCTIONS PERTAINING TO A RISK OR FIRE,  
OR INJURY TO PEOPLE.**

**IMPORTANT SAFETY INSTRUCTIONS  
THE LIGHTED LAMP IS HOT!!**

**WARNING-TO REDUCE THE RISK OR FIRE,  
OR INJURY TO PEOPLE.**

**SAFETY WARNING:** Luminaire can become very hot depending on lamp wattage used. Lens and metal around lamp can become hot enough to blister hands. Particular care should be taken not to locate luminaires where small children can reach them if high wattage lamps are used.

- Turn off/unplug and allow to cool before replacing lamp.
- Lamps get hot quickly! Contact only switch/plug when turning on.
- Do not touch hot lens, guard or enclosure.
- Keep lamp away from material that may burn.
- Do not touch the lamp at any time. Use a soft cloth. Oil from skin may damage lamp.
- Do not operate luminaire with a missing or damaged parts.
- Luminaires shall not be installed within 10 feet (3m) of a pool, spa or fountain.
- Do not use tungsten halogen lamps unless the luminaire is marked for halogen use.



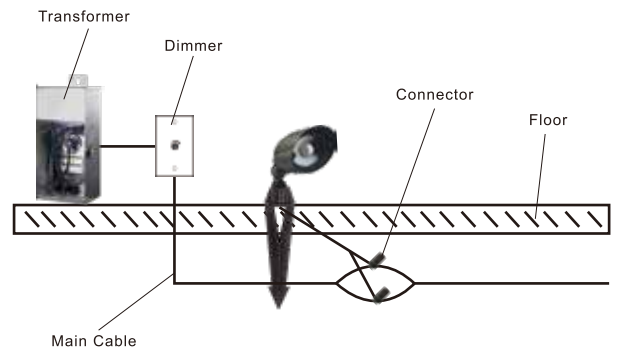
## Installation Instruction

Fixture(s) should be used **“ONLY”** with low voltage landscape power units that do not exceed 25A, 15V.  
 The power units reduce the voltage from 120 volts to 12 volts.  
 The main cable from power units should be buried for less than 6 inches under the ground level and can be purchased from your local electric supply house.

1. Attach fixture(s) wires to main cable with cable connector suitable for direct burial.

**WARNING:** Fixture(s) wires have to be run in close proximity to fixture(s) and not buried more than 3 inches.

2. Dig a small hole and insert fixture spike into ground and turn on power unit.



## THE MAIN LOW VOLTAGE CABLE FROM THE LUMINAIRE IS TO BE:

Protect by routing in close proximity to the luminaire or fitting, or next to a building structure such as a house or deck.

Not to be buried except for a maximum of 6 inches (15.2cm) in order to connect to the main low voltage cable.

Have the length cut off so that it is connected to a connector within 6 inches (15.2cm) from a building structure, a luminaire or fitting.

**NOTE:** Always use UL recognized wire connectors for connection.

**LUMINAIRE IS FOR ABOVE GROUND INSTALLATION ONLY.**