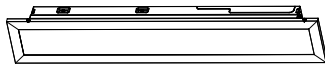
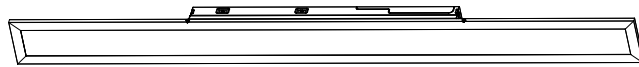


LED Selectable Slot Panels Instructions

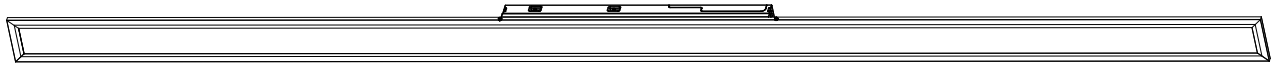
2 FT



4 FT



8 FT



SAFETY PRECAUTIONS

READ CAREFULLY BEFORE INSTALLING FIXTURE. RETAIN THESE INSTRUCTIONS FOR FUTURE REFERENCE.

This fixture must be wired in accordance with the National Electrical Code and all applicable local codes. Proper grounding is required for safety. THIS PRODUCT MUST BE INSTALLED IN ACCORDANCE WITH THE APPLICABLE INSTALLATION CODE BY A PERSON FAMILIAR WITH THE CONSTRUCTION AND OPERATION OF THE PRODUCT AND THE HAZARDS INVOLVED.

TO PREVENT ELECTRICAL SHOCK, POWER SHOULD BE TURNED OFF AT THE FUSE BOX BEFORE INSTALLATION.

SAFETY WARNINGS:

Read all product labels and directions.

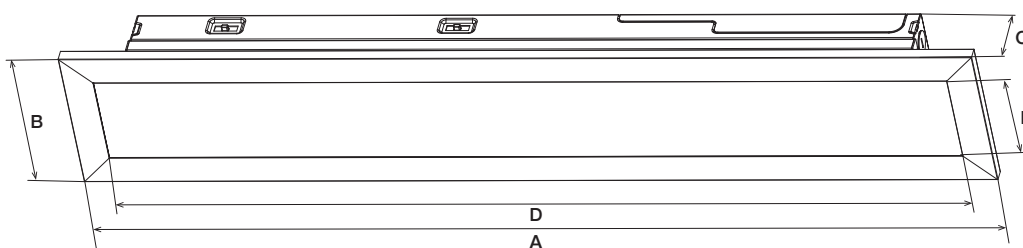
- WARNING - Risk of fire or electric shock. Install this kit only in the luminaires that have the construction features and dimensions shown in the photographs and/or drawings and where the input rating of the retrofit kit does not exceed the input rating of the luminaire.
- Installation should be performed only by a qualified electrician in accordance with the National Electrical Code and relevant local codes. Do not make or alter any open holes in an enclosure of wiring or electrical components during kit installation.
- WARNING - To prevent wiring damage or abrasion, do not expose wiring to edges of sheet metal or other sharp objects.
- INSTALLATION SHOULD ONLY BE PERFORMED AFTER POWER TO THE FIXTURE HAS BEEN DISCONNECTED.
- These instructions shall be included on an information sheet packaged with each unit.
- This device complies with Part 15 of the FCC Rules. Operation is subject to the following two conditions:

(1) this device may not cause harmful interference, and (2) this device must accept any interference received, including interference that may cause undesired operation.

This equipment has been tested and found to comply with the limits for a Class A digital device, pursuant to part 15 of the FCC Rules. These limits are designed to provide reasonable protection against harmful interference in a residential installation. This equipment generates, uses and can radiate radio frequency energy and, if not installed and used in accordance with the instructions, may cause harmful interference to radio communications. However, there is no guarantee that interference will not occur in a particular installation. If this equipment does cause harmful interference to radio or television reception, which can be determined by turning the equipment off and on, the user is encouraged to try to correct the interference by one or more of the following measures:

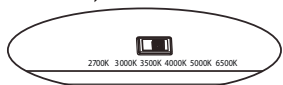
- Reorient or relocate the receiving antenna.
- Increase the separation between the equipment and receiver.
- Connect the equipment into an outlet on a circuit different from that to which the receiver is connected.
- Consult the dealer or an experienced radio/TV technician for help.

DIMENSIONAL DRAWING



DIMENSIONS	A	B	C	D	E
2 FT	23.7"	4"	1.74"	22.2"	2.45"
4 FT	47.75"	4"	1.74"	46.2"	2.45"
8 FT	95.8"	4"	1.74"	94.2"	2.45"

ADJUST WATTAGE & CCT BEFORE INSTALLATION



6-CCT SWITCH



POWERSET SWITCH

SCHEMATIC WATTAGE ADJUSTMENT (3 SET POSITION)

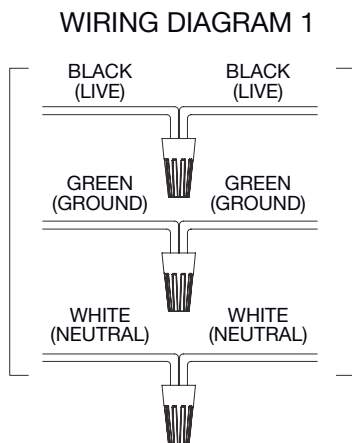
Items	Left Position	Middle Position	Right Position
2FT	10W	15W	20W
4FT	20W	30W	40W
8FT	40W	60W	80W

SCHEMATIC CCT ADJUSTMENT (6 SET POSITION)

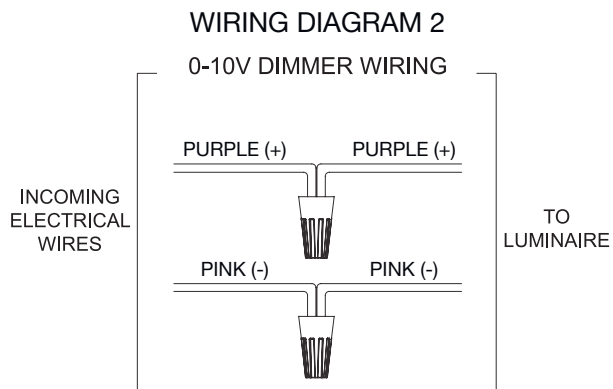
LEFT POSITION TO RIGHT POSITION	
2700K / 3000K / 3500K / 4000K / 5000K / 6500K	

INSTALLATION FOR WIRING

1. Open the driver J-Box (See Fig. 3) and connect the incoming electrical wires to the set of power wires black to black (LIVE), white to white (NEUTRAL) and green to green (GROUND) (See wiring diagram 1).
2. For 0-10V dimming, make sure to connect the same wire color (See wiring diagram 2).
3. Check the wiring, make sure everything is correct. Recover the connection box. Then turn on power to the fixture.



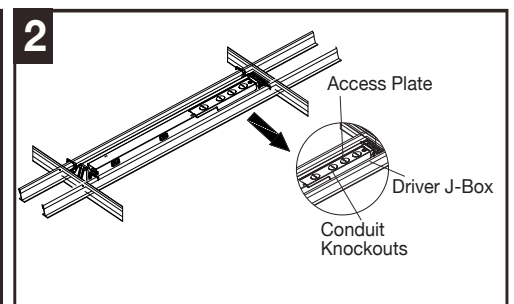
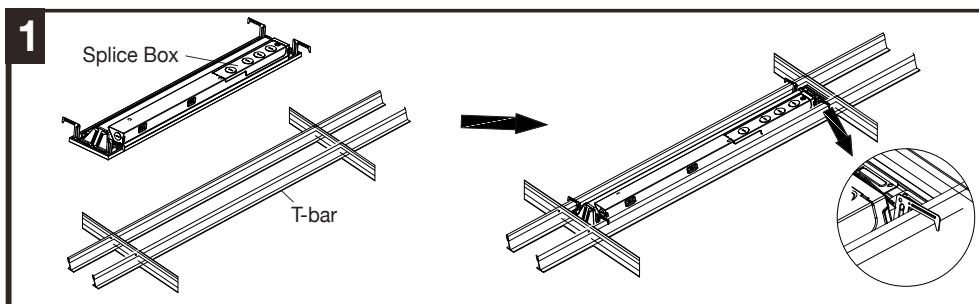
TO LUMINAIRE



(Used when the lamp needs to be connected to a 0-10V dimmer)

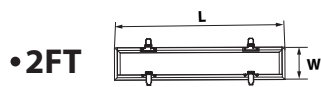
INSTALLATION WITH BRACKET

1. Carefully unpack the fixture from its packaging and check contents.
2. Turn off power at circuit breaker.
3. Put the fixture on the T-Bar, Rest the fixture on the T-Bar of the ceiling suspension system in the desired location (See Fig. 1).
4. Refer above "Installation For wires" to connect wires (See Fig. 2).

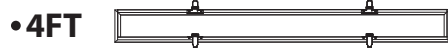


INSTALLATION WITH DRYWALL / FLANGE KIT

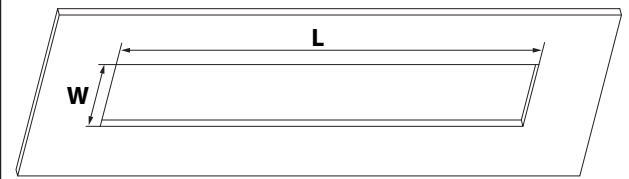
Drywall/Flange Kit



DIMENSIONS	L	W
2FT	24.8"	5.4"
4FT	48.7"	5.4"
8FT	96.7"	5.4"



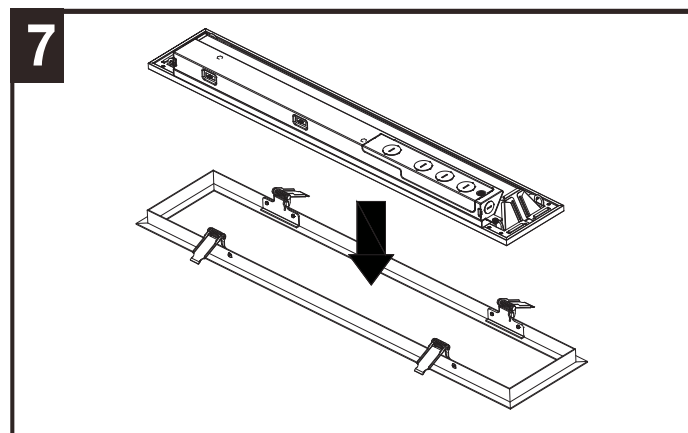
Cut-out



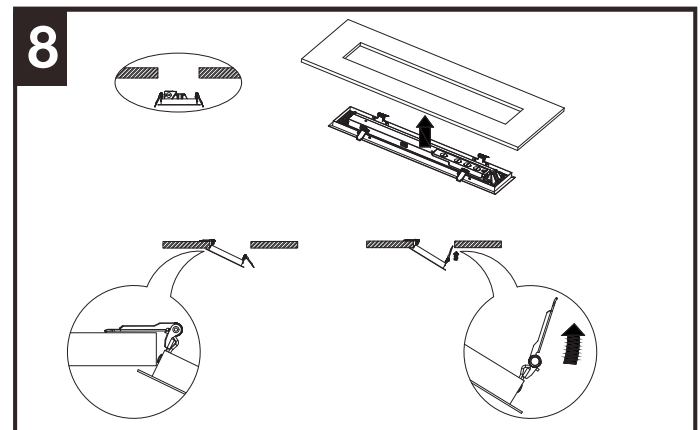
DIMENSIONS	L	W
2FT	24"	4.9"
4FT	48"	4.9"
8FT	96"	4.9"

INSTALLATION STEPS

1. Put the fixture in the recessed kit (See Fig. 7).



2. Insert the kit with fixture into the ceiling, Follow the wiring instruction of fixture to connect it to AC power. And then, insert one side first and then the other side (See Fig. 8).



3. Finish the installation, power on and enjoy the light (See Fig. 9).

