

Installation Instructions for LED-FRM



SAFETY INSTRUCTIONS

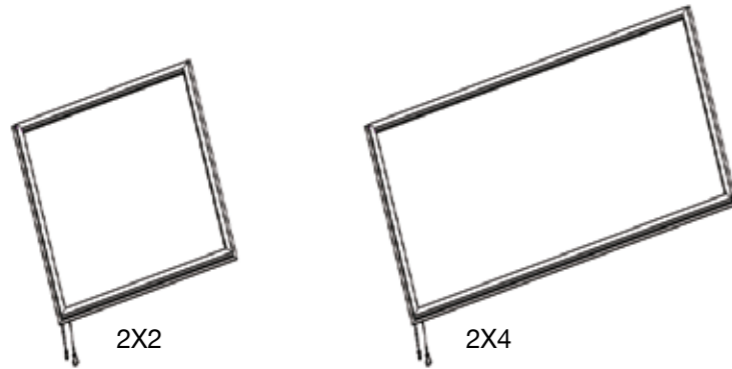
1. Do not use outdoors.
 2. Equipment should be mounted securely in locations and at heights where it will not be readily subjected to tampering by unauthorized personnel.
 3. Do not mount near gas or electric heaters.
 4. Cap unused wires with enclosed wire nuts or other approved method.
 5. Do not use this equipment for anything other than its intended use.
 6. The use of accessory equipment not recommended by the manufacturer will void product listing and warranty and may cause an unsafe condition.
 7. Use caution when servicing batteries.
 8. Any service on this equipment should be performed by qualified personnel only.
 9. Make sure wire terminations are secure and leads are properly tucked in appropriate wire channels.
- CONSULT A QUALIFIED ELECTRICIAN BEFORE INSTALLING**



CAUTION

Disconnect AC power before servicing and installation. An electrical connection must be in accordance with the NEC/CEC or your local code.

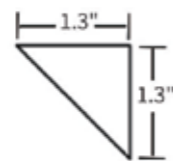
Models



Included



Power Source X 1



Triangular Plate X 1



Wire Nut x 5

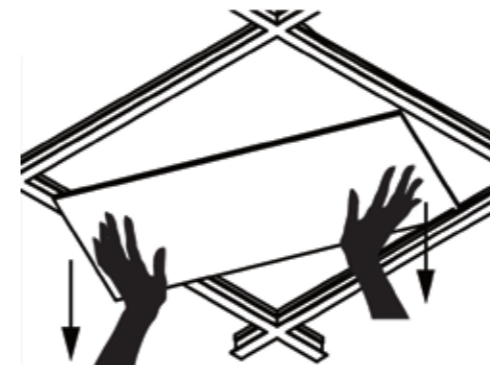
Tools Required



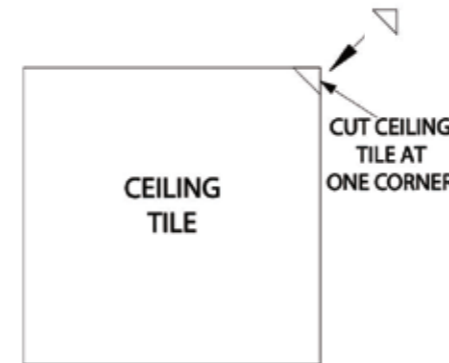
Screwdriver



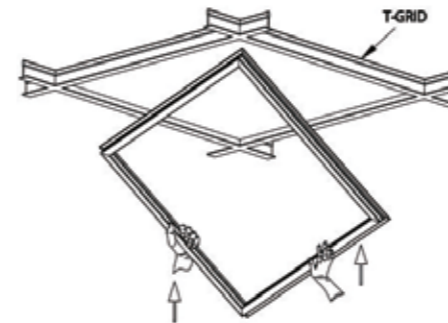
Art Blade



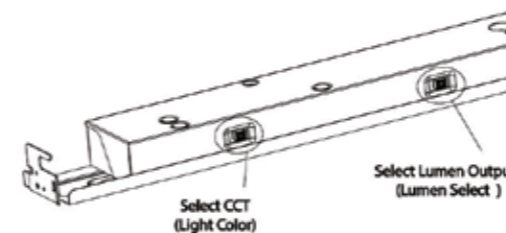
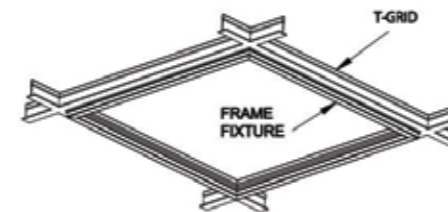
1. Remove original ceiling tile from the T-Grid ceiling.



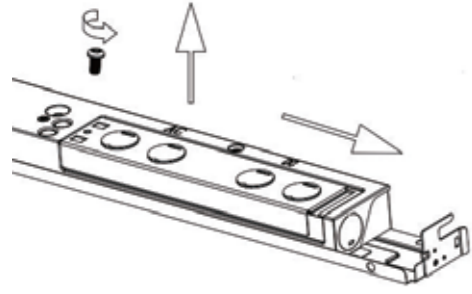
2. Cut out one corner of the ceiling tile using the provided triangular plate.



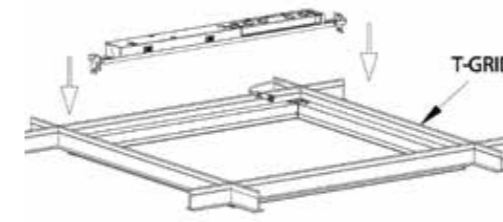
3. Install luminaire to the opening in the T-Grid by raising the luminaire above the grid, then lower it until it rests between the T-Grid and the tile opening. Cable side of the luminaire must align with cable side of the driver box.



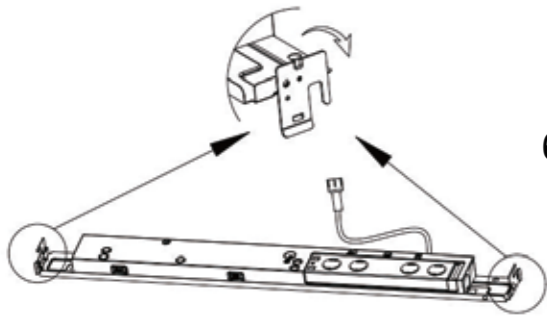
4. Remove driver box from package and use switch to select appropriate light color (CCT) and light output (lumen).



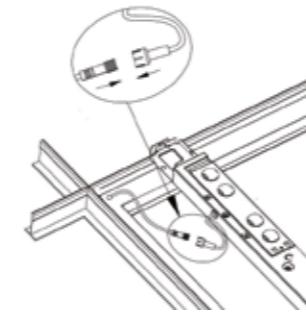
5. Remove driver box access plate by removing screw from driver box cover and locate the driver supply wire (1 black, 1 white, 1 green /ground). Optional dimming: for 0-10V dimming only: Purple wire is 0-10V (+), Pink wire is 0-10V (-).



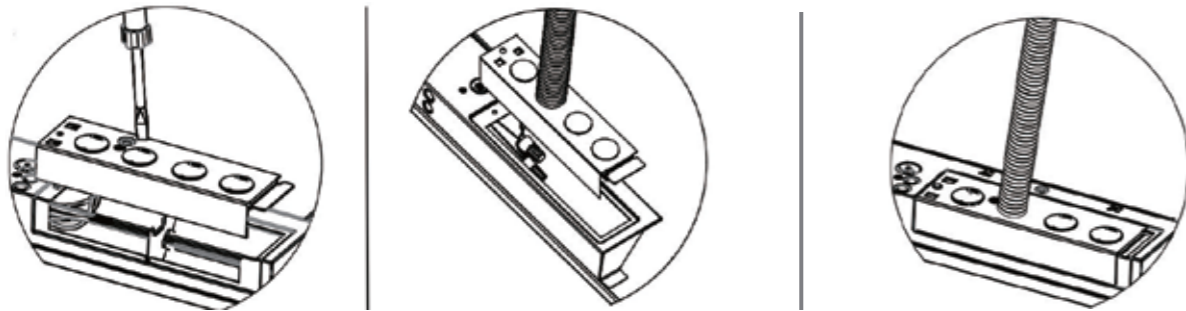
9. The drive box is fixed on the grid through the buckle on the drive box, and the drive box is fixed on the T-grid. Access panels must face openings in the ceiling.



6. Rotate the buckle 90° clockwise



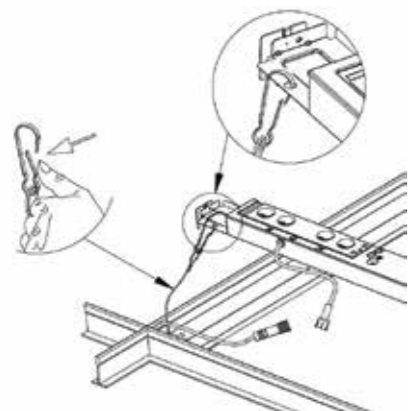
10. The DC cable of the lamp body is connected to the power supply.



7. Remove knockout from driver box access plate and attach building supply conduit. With the power turned off, make electrical connections according to local codes. Secure driver box cover back with screw.



11. Insert ceiling tile through the opening making sure the cutout portion is facing corner where the cable is connected between driver box and luminaire.



8. Secure luminaire to driver box by attaching tether cable from luminaire to opening on the driver box using clip.

12. Turn ON power at circuit breaker and test successful installation