

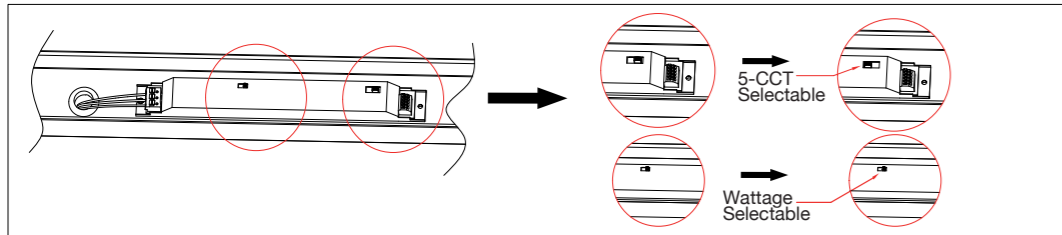
**INSTALLATION INSTRUCTIONS FOR LINKABLE STRIP FIXTURES**

Read this instruction carefully before installation. Keep it for further reference. Make electrical and grounded connections in accordance with the national electrical code and any applicable code. Always turn off the power supply before installation. This product must be installed in accordance with the applicable installation code by a qualified electrician who is familiar with the construction and operation of the product and the hazards involved.

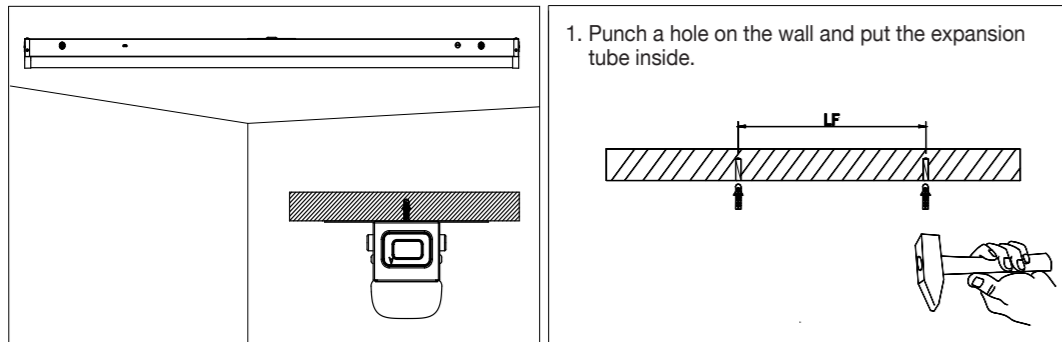
**WARNING:**

- ⚠ Risk of fire or electric shock. Fixture installation requires knowledge of luminaire electrical systems. If not qualified, DO NOT attempt installation. Contact a qualified electrician.
- ⚠ Risk of fire or electric shock. Suitable for damp locations. Always turn off the power supply before installation. Risk of fire or electric shock. Suitable for non-insulated surface and frame. DO NOT cover fixture with insulation liner or similar material.
- ⚠ DO NOT install fixture on unstable, loose or easily breakable surface. DO NOT exert force on the surface of the fixture.

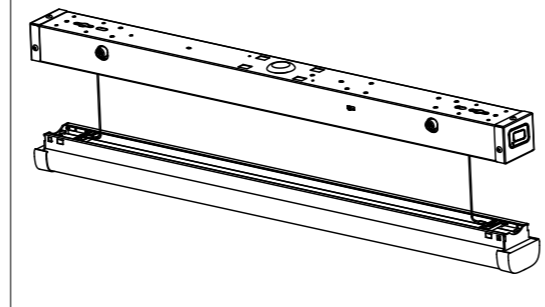
**5-CCT & Wattage Selectable**



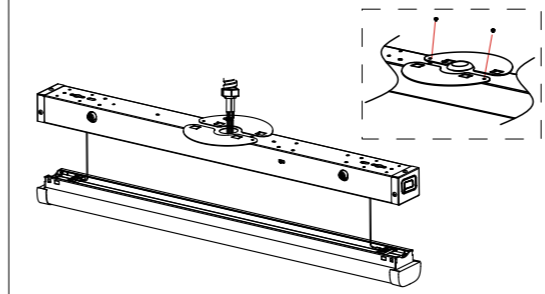
**Installation Instructions**



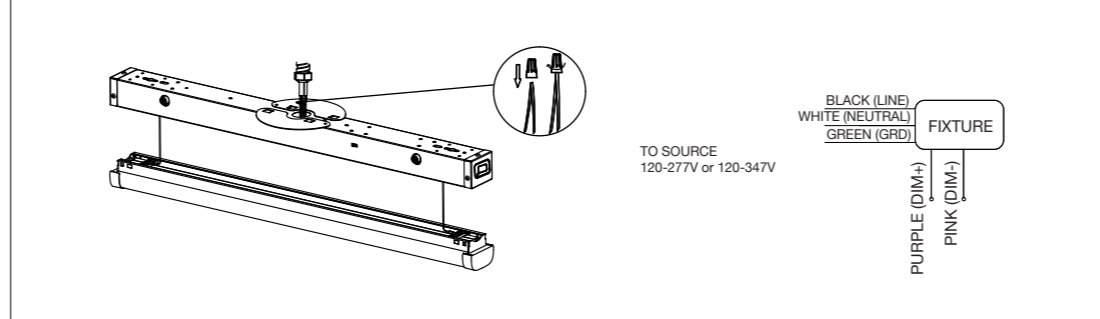
2. Swing open fixture by pushing in/squeezing both buttons located on opposite ends.



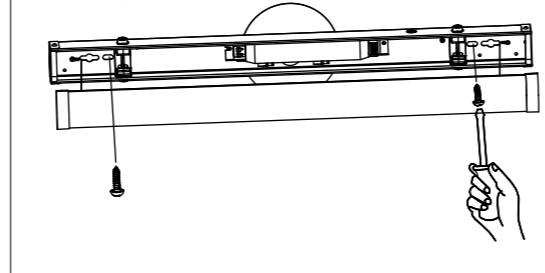
3. Run the fixture's power wires through the center hole of the round J-box adapter. Slide and secure the round J-box adapter on the center slots located on the back of the fixture. Note: J-Box adapter is used to cover the Junction Box



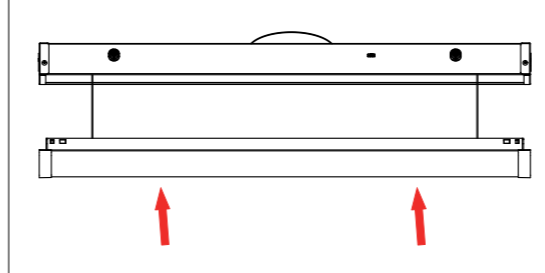
4. Turn off the power and make wiring by using wire nuts according to wiring diagram



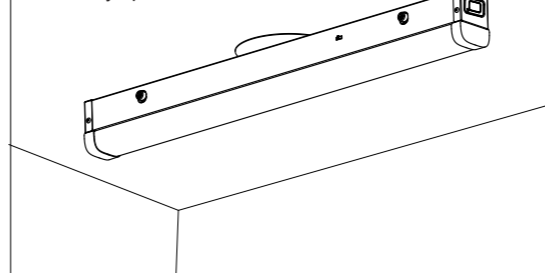
5. Secure the fixture to the wall with the correct mounting hardware



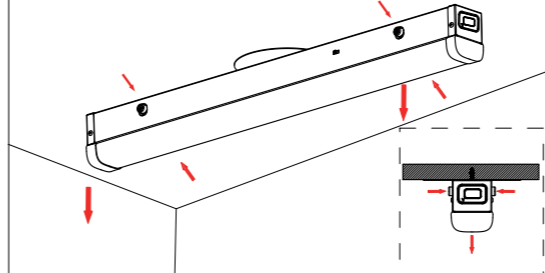
6. Press upward the cover and lock it with springs tightly which located into the fixture.



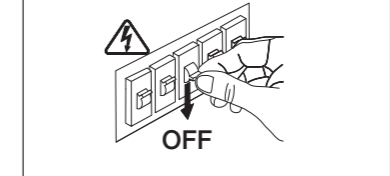
7. The installation is completed and energize the luminaire to verify operation.



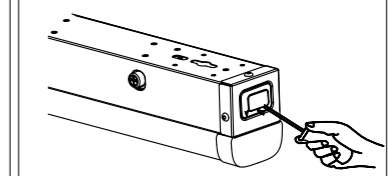
8. Swing open fixture by pushing in/squeezing both buttons located on opposite ends if need to disassemble the fixture



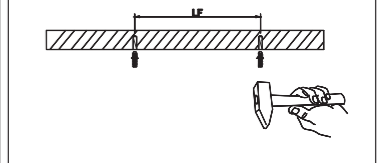
1. Turn OFF the power



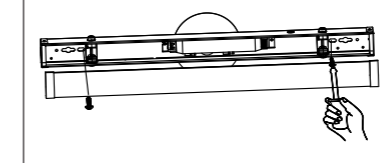
2. Remove the knockout hole at the end of lamp body



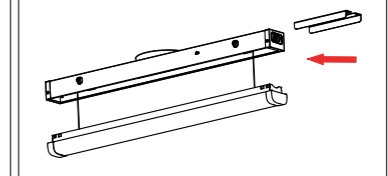
3. Drill holes at a suitable position on the wall and drive the anchor into the wall.



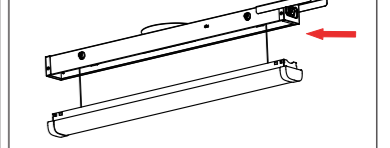
4. Use a screwdriver to tighten the screws to fix the lamp body on the wall.



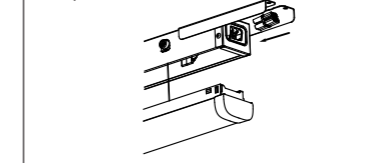
5. Fix the connection bracket on the wall.



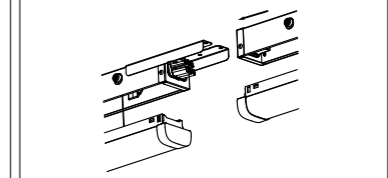
6. Insert the strip light into the connection bracket, then drill holes at a suitable position in the wall for installing the next strip light.



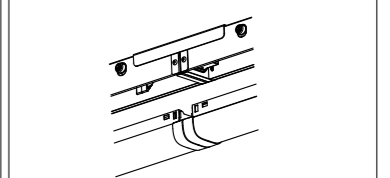
7. Insert the cascading pair connector into one of the lamps.



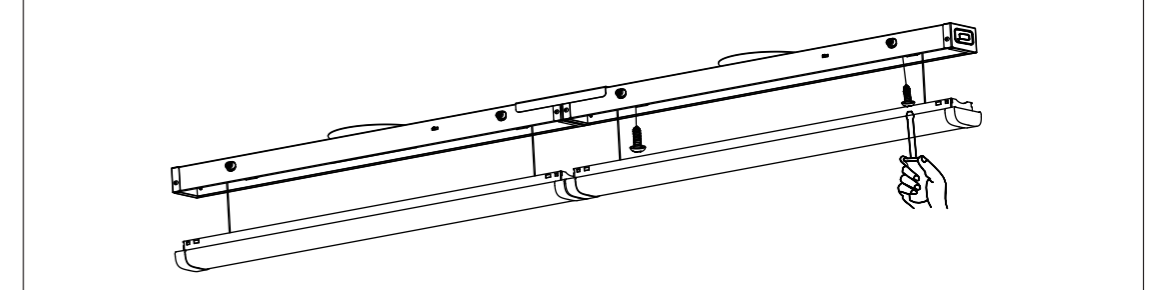
8. Plug the cascading pair connector into another lamp.



9. The cascading connection is complete.



10. Fix the lamp body on the wall by screws, complete the installation; repeat the previous procedure to install the 3rd strip light, 4th strip light etc.



11. Secure the LED cover to the housing by pressing upward and lock it into the fixture. Energize the luminaire to verify operation.

