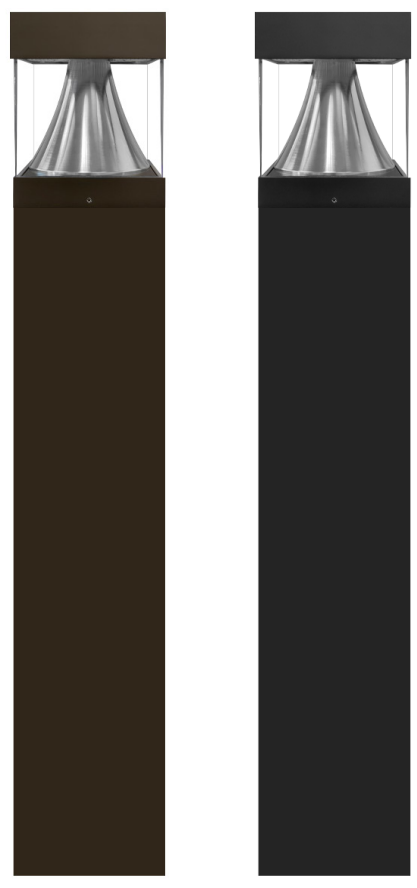


LED Bollard Fixtures (Square)

Bollards



Detail Specifications:

- Finish: Bronze, Black, Custom finishes available
- IP Rating: Wet Location
- Beam Angle: - Cone: Type V 360°
- Chip: SMD 2835, R9 >50, CRI >80
- Operating Temperature: -4° - 122° F
- Lens: Clear Acrylic
- Average life (L70) of 50,000 hours

Applications:

- Walkways & Pathways
- Driveways
- Landscape Lighting
- Hospitality, Multi-Family
- Outdoor Corridors
- Residential, Commercial and Industrial

Product Information:

- Aluminum housing finished with corrosion free power coat
- Flat Top & Cone Shape Reflector
- Instant-On to full brightness
- Select-n-Switch Technology: 5-CCT + 3-Power Selectable

Driver Options:

- UNV: 120-277V 0-10V Dimmable
- HV: 347-480V 0-10V Dimmable
- THD: <15% (+/-5% tolerance), PF >0.9, 50/60Hz

Mounting & Installations:

- Mounting hardware included:
 - Anchor Bolt
 - Washer & Nuts

Certifications:

- UL Listed for USA and CA
- DLC Listed
- Approved for CA T24
- 5 Year Limited Warranty
- FCC CFR 47, GCC Part 15, Subpart B:2017

WATT	LUMENS	BUG RATING	
12	1,560	LOUVER	B2-U3-G2
16	2,080	CONE	B1-U3-G2
22	2,860		

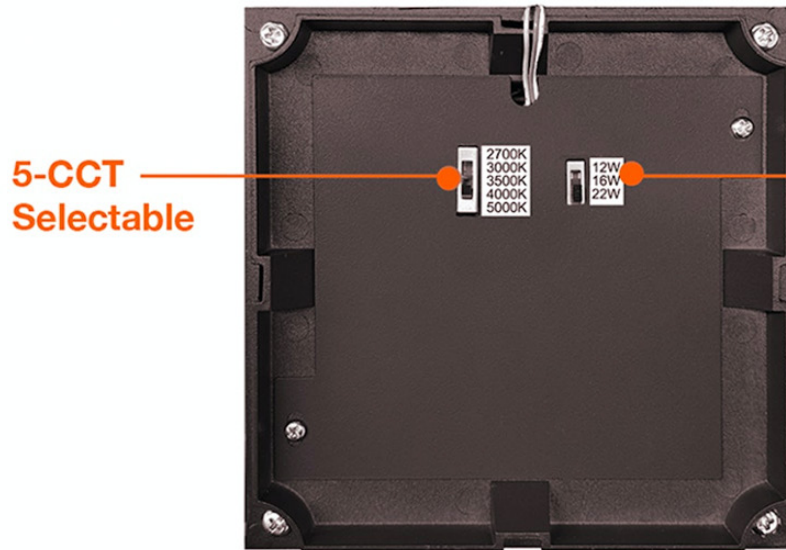
LED-BLD-3P22-SQ-5CCT -
Square Bollard 12/16/22w

Voltage ¹	Inside Design	Top Shape	Finish	Height	Shield ²	Sensor	EMB
UNV 120-277V	CN Cone	FL Flat	BZ Bronze	44 44"	(Blank) No Shield	(Blank) None	(Blank) No
HV 347-480V			BL Black		SHLD Covers half the lens	BMS Bi-Level Motion Sensor + Daylight Sensor	EMB 90 Minute Emergency Backup
			CS Custom Color			PC Photocell	

1. Standard voltage is UNV HV is made to order.
2. Shield options is made to order.

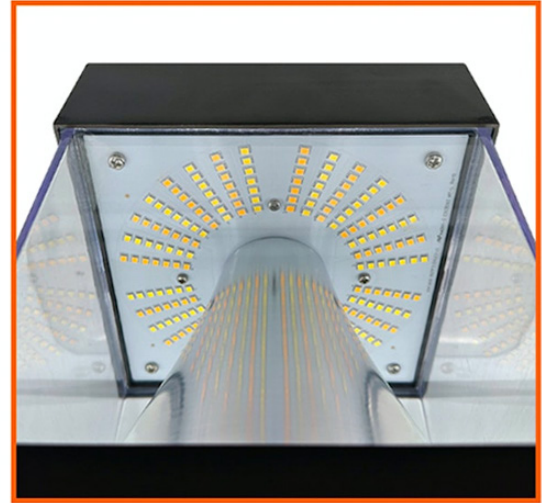
Specs and model numbers are subject to change with or without notice. Customization of product is available.

FEATURES



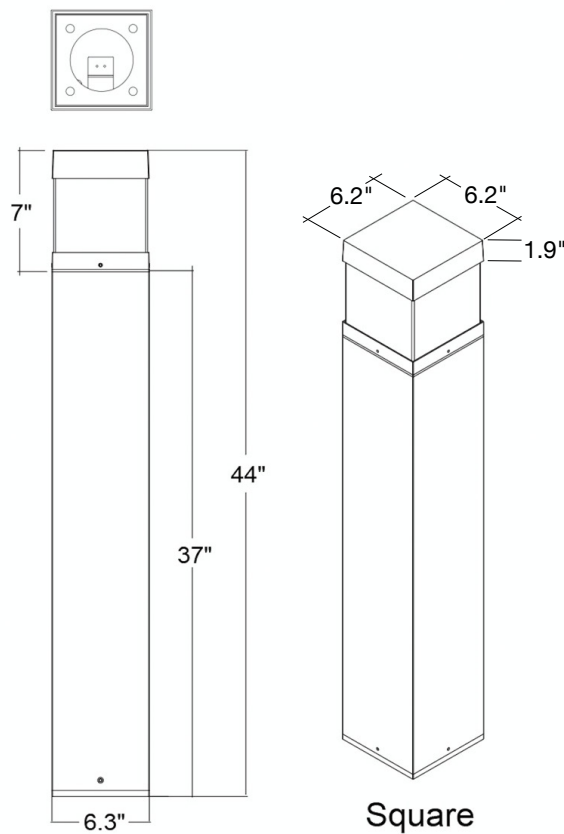
**5-CCT
Selectable**

**3Watt
Selectable**



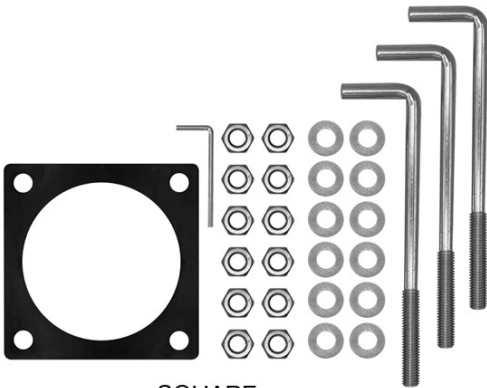
CONE LENS LED

DIMENSIONS



LED Bollard Fixtures (Square)

ACCESSORIES



SQUARE

Anchor Bolt Included



HD-407V-CR
Sensor



LED-EMB-8W-LV-INT
Emergency Back Up

Square Bollard Fixture

Model	Voltage	Watts	Lumens	CRI
LED-BLD-3P22-SQ-5CCT-UNV-CN-FL-BZ-44	120-277V	12/16/22w	1560/2080/2860	>80
LED-BLD-3P22-SQ-5CCT-UNV-CN-FL-BL-44	120-277V	12/16/22w	1560/2080/2860	>80

H-Line Sensors

Model	Item Description	Voltage	Watts
HD407V-CR	Bi Level Motion Sensor w/ Daylight Harvesting Detachable Version w/ external sensor -Remote Control Compatible	120-277V	<1w

Backup Battery

Model	Input	Watt	Output
LED-EMB-8W-LV-INT	120/277V	8W	25-48V DC