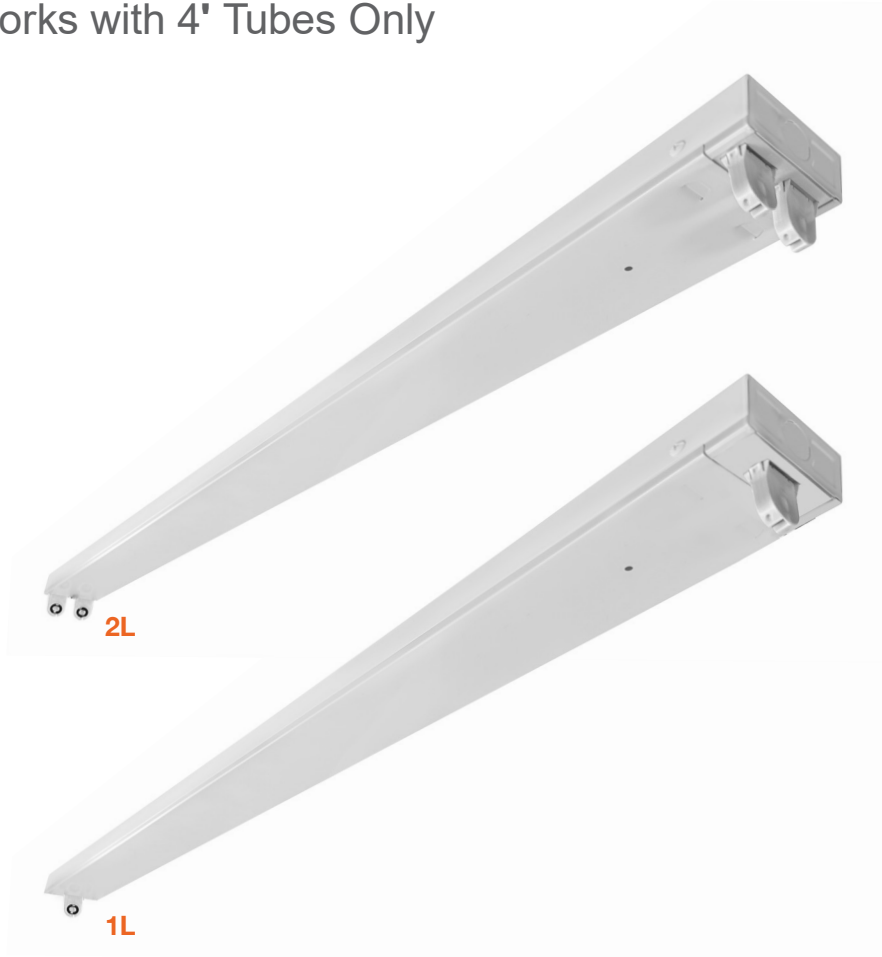


4' & 8' T8 Strip Fixtures

Works with 4' Tubes Only



Detail Specifications:

- Finishes: White
- IP Rating: Damp Location
 - Check Lamp IP Rating
- Operating Temperature: Check Lamp Temperature Rating
- Housing: Metal

Applications:

- Stairwell & Hallways
- Utility & Storage
- Garage Structures
- Office and Meeting Rooms
- Shop Lighting
- Commercial and Industrial

Product Information:

- Aluminum housing finished with corrosion free powder coat
- T8-4FT-2/1L-STRIP: can be used with 1 or 2-lamp 4' T8 tubes
- T8-8FT-4/2L-STRIP: can be used with 2 or 4-lamp 4' T8 tubes
- Easy j-box access: snap on and off tool-less design
- 40 J-box cover included with every fixture

Wiring Options:

- Works with double ended connection lamps

Mounting & Installation:

- Surface mount
- Optional suspension kit
- Applicable for extended run feedthrough wireway installations

Certifications:

- ETL Listed for USA and CA

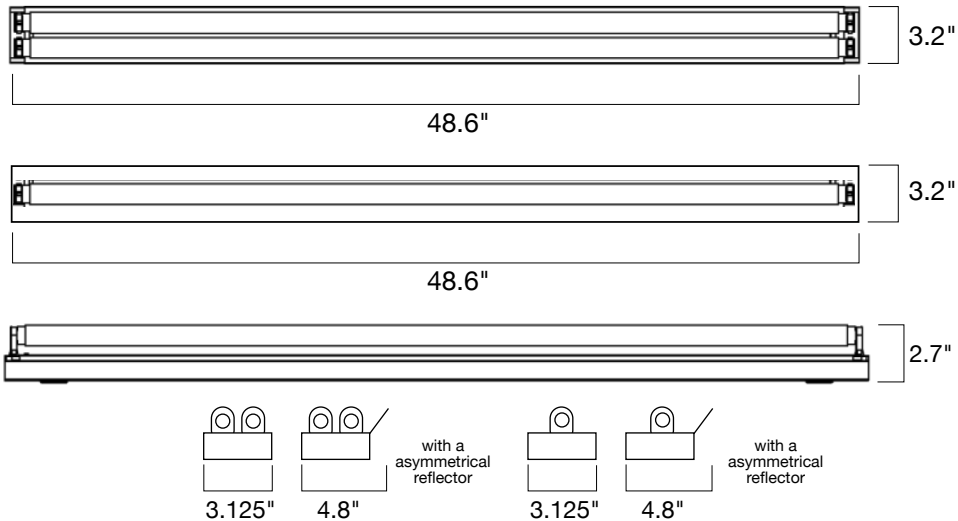
Series	Emergency
T8-4FT-2/1L-STRIP T8-8FT-4/2L-STRIP	(Blank) EMB 25W Emergency Backup. Connects to 1 lamp for full lumen output.

Optional Accessories (Order Separately)	
Reflectors ¹	Suspension Kits
T8-4FT-RF 4 ft Reflector. Use Qty 2 for 8' fixtures.	SK-10FT-Y-LC-PD 10' Suspension Kit SK-20FT-Y-LC-PD 20' Suspension Kit CK-6FT-V 6' Chain Hanging Kit
1. One reflector per order for asymmetrical design. Order two for symmetrical design.	

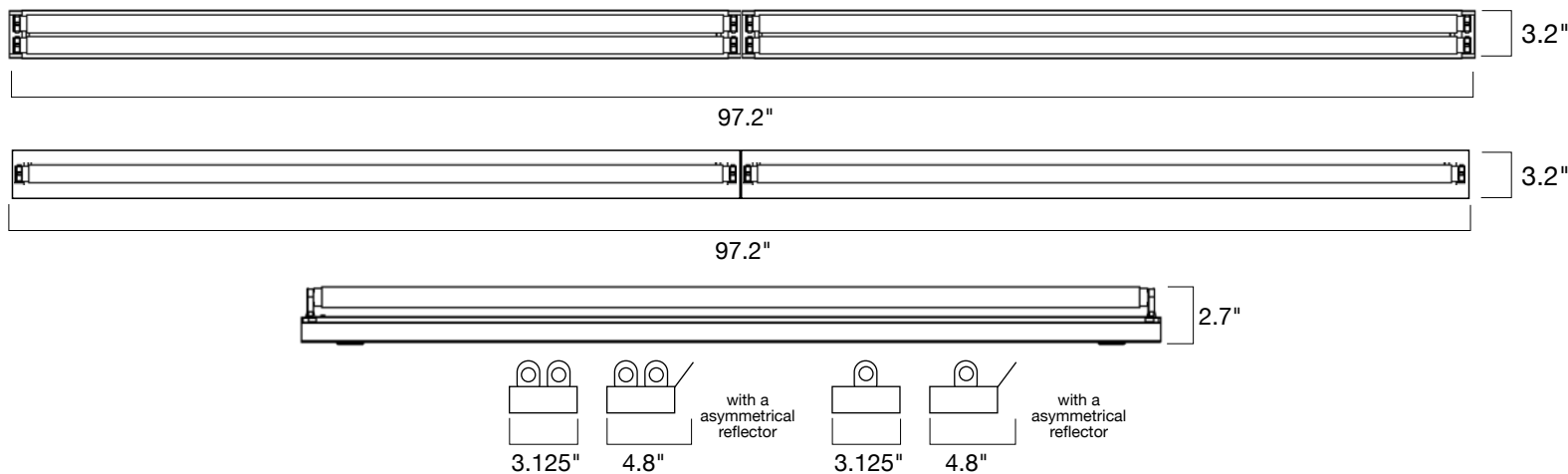
Specs and model numbers are subject to change with or without notice

DIMENSIONS

4FT Fixtures - 1 or 2 4FT Lamps



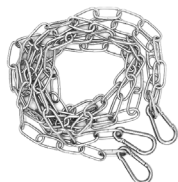
8FT Fixtures - 2 or 4 4FT Lamps



ACCESSORIES



SK-10FT-Y-LC-PD
SK-20FT-Y-LC-PD



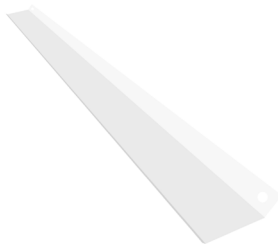
CK-6FT-V

SUSPENSION KIT

Model	Description
SK-10FT-Y-LC-PD	10' Suspension Kit
SK-20FT-Y-LC-PD	20' Suspension Kit
CK-6FT-V	6' Chain Hanging Kit

REFLECTORS

Model	Description
T8-4FT-RF	4' Symetric White Reflector



T8-4FT-RF