

Arcy-Line: LED Frame Panels

3-CCT & 3-Power Selectable

LED Panels



2X2



2X4

2X2		2X4	
WATT	LUMENS	WATT	LUMENS
16	2,000	24	3,000
24	3,000	32	4,000
32	4,000	45	5,000

Detail Specifications

- Finish: White
- IP Rating: Damp Location (IP44)
- 3-CCT: 35/40/50K
- Beam Angle: 110°
- Chip: SMD 2835, R9 >50, CRI >80
- Operating Temperature: -40° - 114° F
- Lens: PS (polystyrene) frosted, non-yellowing, & shatter resistant
- Average life (L70) of 50,000 hours

Applications:

- General Indoor Lighting
- Utility & Storage
- Garage Structures
- Office and Meeting Rooms
- Education, Healthcare, Retail, Hospitality
- Commercial and Industrial

Product Information:

- Metal housing finished with corrosion free power coat
- One piece design, uniformed light output
- Even light distribution
- Lightweight for easier installation
- Select-n-Switch Technology: 3-CCT + 3-Power Selectable

Driver Options:

- UNV: 120-277V 0-10V Dimmable
- Optional 347-480V step down transformer available
- Standard EMB used:
 - 8W EMB (LED-EMB-8W-HV-0-10V-2P)
- THD: <20% (+/-5% tolerance), PF >0.9, 50/60Hz
- Isolated Driver
- Flicker Free

Mounting & Installation:

- Lay-in ceilings for 5/8" and 3/8" ceiling widths
- Built-in earthquake clips

Certifications:

- ETL Listed for USA and CA
- DLC Premium Listed
 - Pending 03/2025
- Approved for CA T24
- 5 Year Limited Warranty
- FCC CFR 47, GCC Part 15, Subpart B:2017

Series

LED-FRM-2X2-3P32-TRI
32/24/16w
LED-FRM-2X4-3P45-TRI
45/32/24w

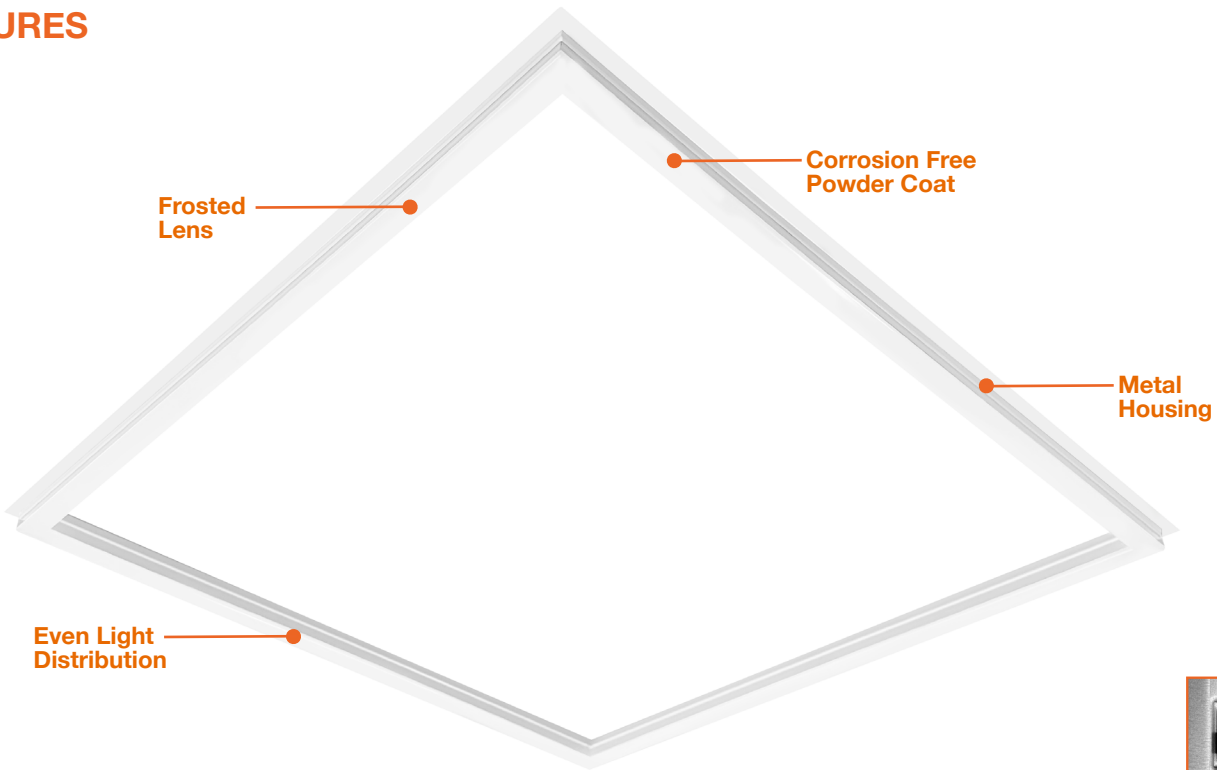
Emergency Driver¹ Whip

(blank) (blank) (blank)
EMB 120-277V No Whip
Emergency HV **-6FLX**
Backup 347-480V 6" Flex
Stepdown

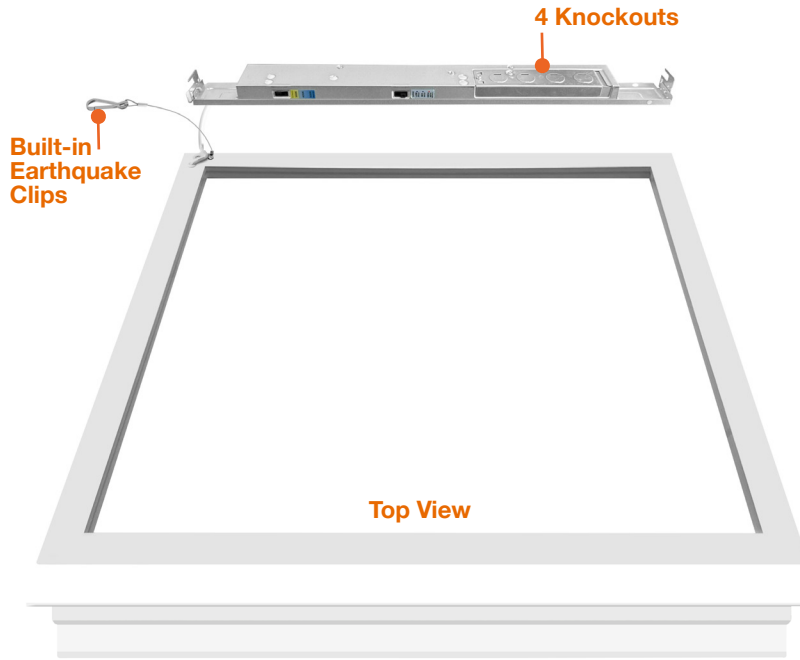
1. HV: High voltage is made to order.

Specs and model numbers are subject to change with or without notice.

FEATURES



Even Light Distribution



3-CCT Selectable

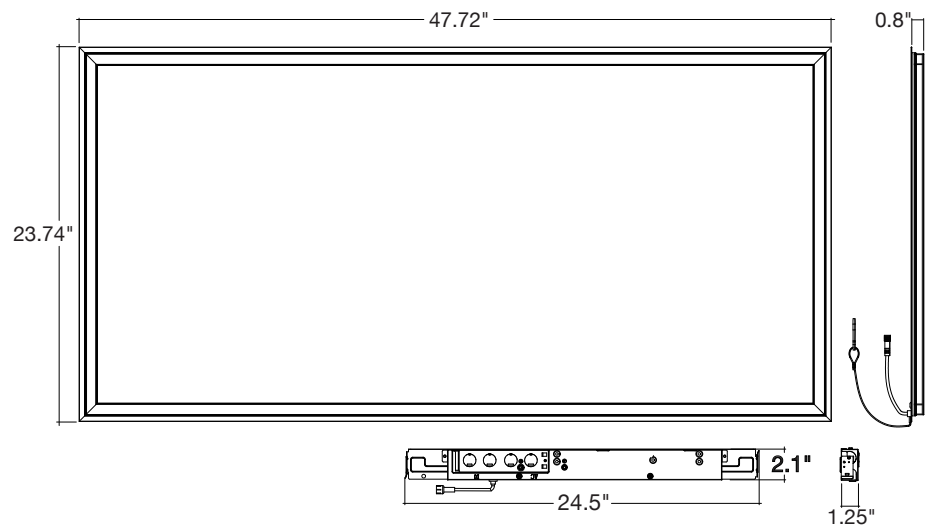
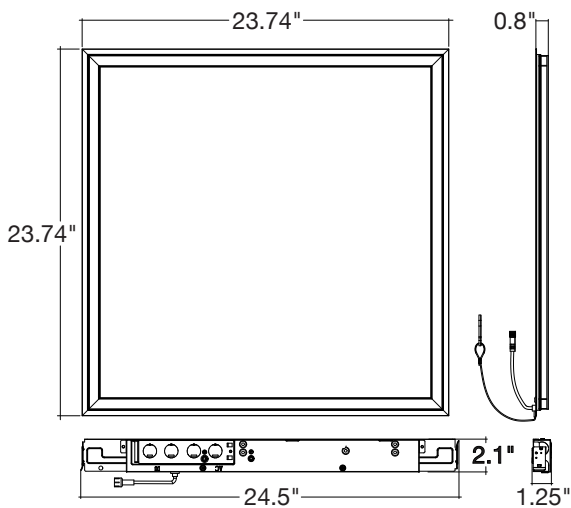


2X2
3-Power Selectable

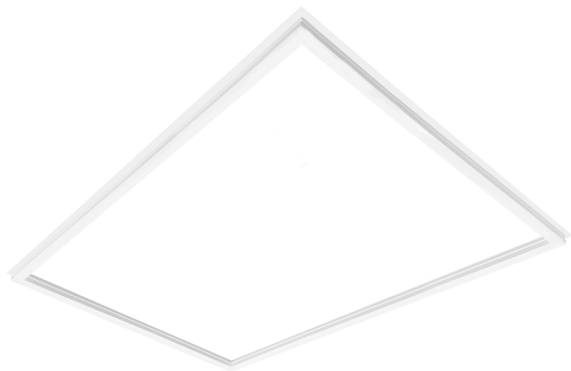
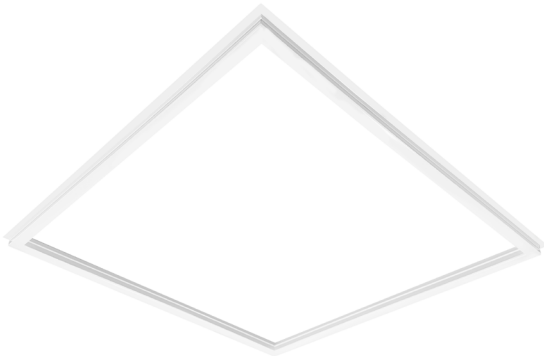


2X4
3-Power Selectable

DIMENSIONS



ACCESSORIES



Model	Voltage	Watts	Lumens	Color	CRI
LED-FRM-2X2-3P32-TRI	120/277V	32/24/16w	4,000/3,000/2,000	35/40/50k	>80
LED-FRM-2X4-3P45-TRI	120/277V	45/32/24w	5,900/4,000/3,000	35/40/50k	>80