

Wall Mounted
 xEnVisionLS Enabled



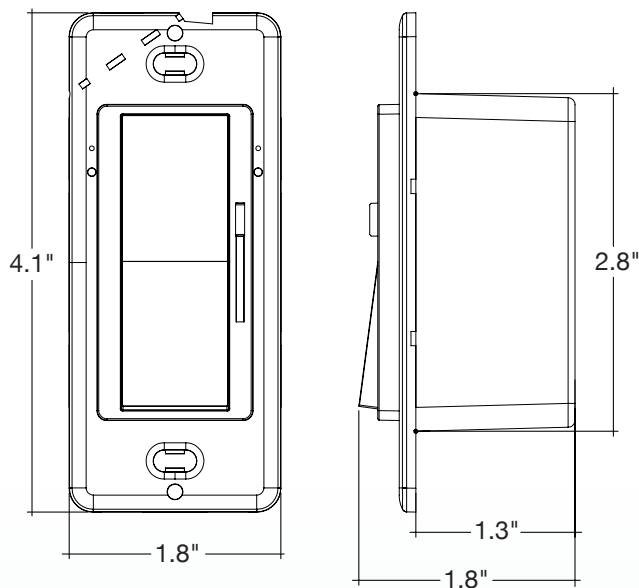
The ENVISIONLS Dimmer is designed to replace your existing wall switch and add enhanced lighting controls via Bluetooth mesh. The dimmer switch provides basic dimming control functions with preset dimming capabilities.

Features:

- **Wireless Communication:** the dimmer can be grouped to multiple fixtures in the room and enables wireless dimming via the slider.
- **Easy commissioning** in the ENVISIONLS app
- **Simple Installation:** Connects directly to line voltage

Specifications:

- **Technology:** Bluetooth Mesh
- **120VAC, 50/60hz**
- **Fixture Quantity:** 100 max
- **Interoperability:** ENVISIONLS Controls
- **Operating Temperature:** -32°-122 F
- **Wireless Range:** 60ft



Item
S-WS-DIM-UNV-BT